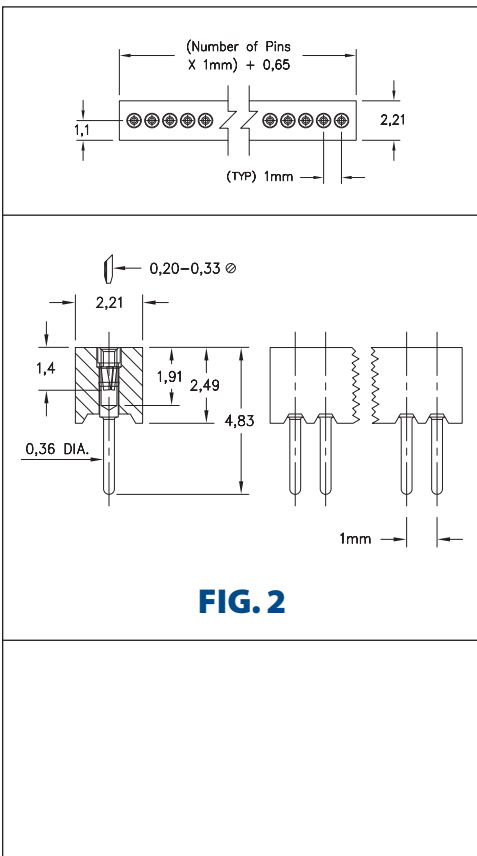
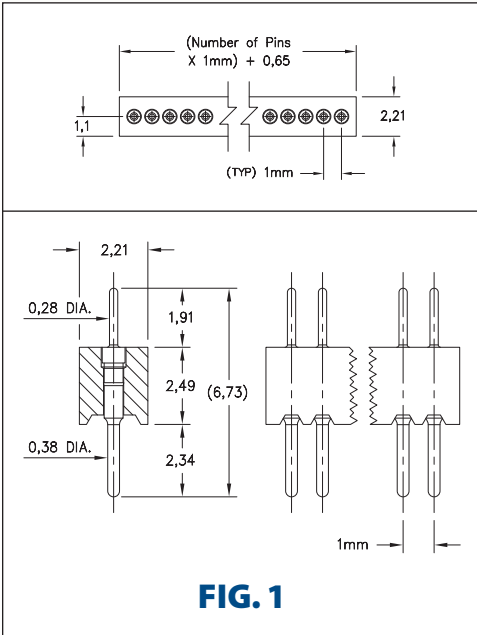
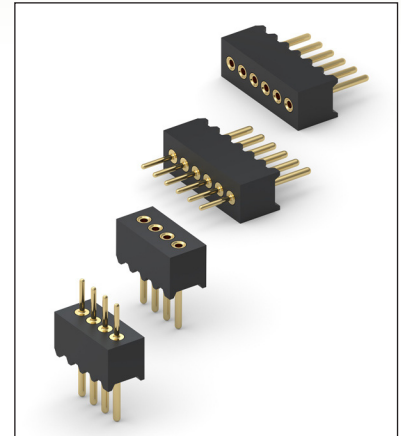


# INTERCONNECTS

## SERIES 860 & 861 • 1mm GRID HEADERS AND SOCKETS • SINGLE ROW STRIPS



- Series 860 headers and Series 861 sockets are single row, 1mm pitch interconnects rated at 2 amps
- Series 860 headers have 0,38 diameter solder tails and 0,28 diameter pluggable pins (MM #3039) See page 208 for details
- Series 861 sockets have 0,36 diameter solder tails (MM #0439). See page 156 for details
- Both 860 headers and 861 sockets are available in 2-50 position strips
- The header and socket provide a mated height of 4,98 for board stacking applications
- Insulators are high temperature thermoplastic, suitable for most soldering processes, and feature standoffs to promote solder flow



### ORDERING INFORMATION

FIG. 1	Series 860...002	Single Row 1mm Header					
		860-10-0	-10-002000				
	Specify number of pins	↑	02-50				
		XX=Plating Code See Below	For Electrical, Mechanical & Environmental Data, See page 264				
	SPECIFY PLATING CODE XX=	10					
	Pin Plating	0,25µm Au					
FIG. 2	Series 861...002	Single Row 1mm Socket					
		861-13-0	-10-002000				
	Specify number of pins	↑	02-50				
		XX=Plating Code See Below	For Electrical, Mechanical & Environmental Data, See page 264				
	SPECIFY PLATING CODE XX=	13					
	Sleeve (Pin)	0,25µm Au					
	Contact (Clip)	0,76µm Au					