



FCconnect.com

Copyright FCJ

1

2

List of "HFW__R-1/2STE1" customer document

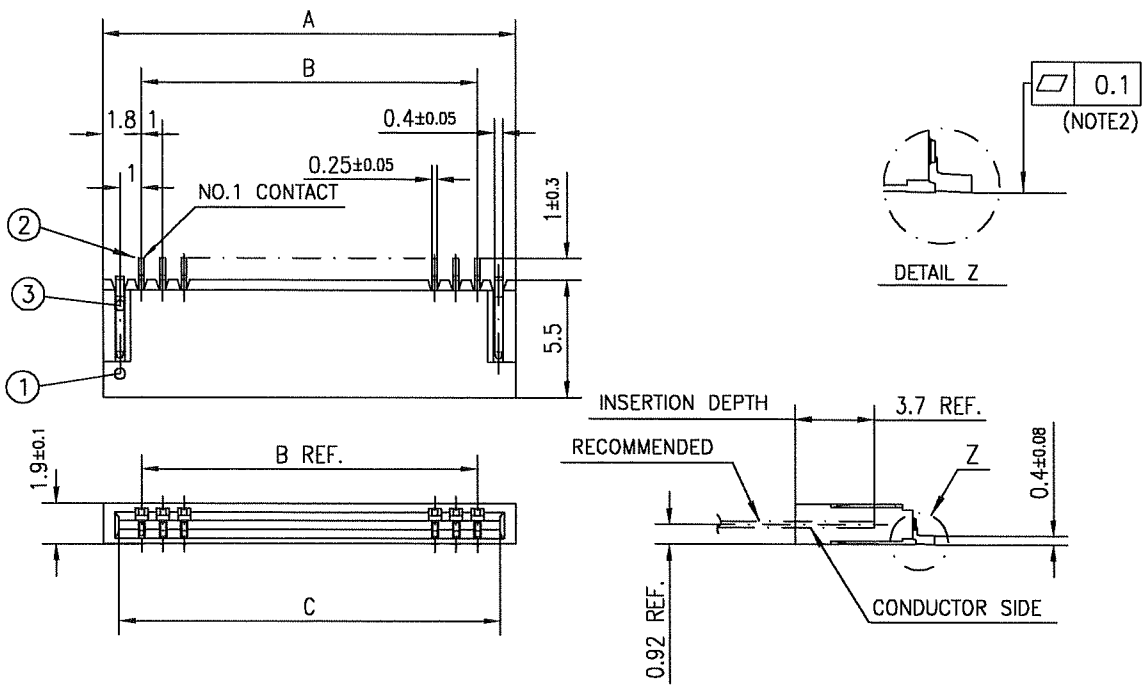
DOCUMENT NO.	LIST
SC-HFWR01	SPEC.
JSA93575	CAT.NO.TABLE FOR 1mm SPACING SMT CONNECTOR (HFW__R-1/2ST_)
JSA93571	1mm SPACING SURFACE MOUNT FPC/FFC CONNECCTOR (HFW__R-1ST_)
JSA93572	1mm SPACING SURFACE MOUNT FPC/FFC CONNECCTOR (HFW__R-2ST_)
JSA93589	CAT.NO.TABLE FOR PLASTIC TAPE PACKAGED 1mm SPACING SMT CONN.(HFW__R-1/2STE1)
JSA93577	1mm SPACING SMT CONNECTOR (HFW__R-1STE1)
JSA93578	1mm SPACING SMT CONNECTOR (HFW__R-2STE1)
JSA93573	RECOMMENDED CABLE (FPC) (HFW__R-1/2_)
JSA93574	RECOMMENDED CABLE (FFC) (HFW__R-1/2_)

mat'l. code				surface ⁵⁸ / tolerance ISO 1302 <input checked="" type="checkbox"/> ISO 406 ISO 1101		projection 		product family 58NF		CODE JP		
ltr	ecn no	dr	date	tolerances unless otherwise specified				title				
A	J06-0413	H.T	10/4/064	angles		mm		1mm SPACING FPC/FFC CONNECTOR DOCUMENT LIST (Cat. No. : HFW__R-1/2STE1)				
				linear		scale X						
		dr						dwg no		sheet 1 of 1 size		
		enrg						JSA 97191		A4		
		chr						type Product Customer Drawing				
		appd										
sheet index	revision sheet	A	1									Rev. A

form: A4

1

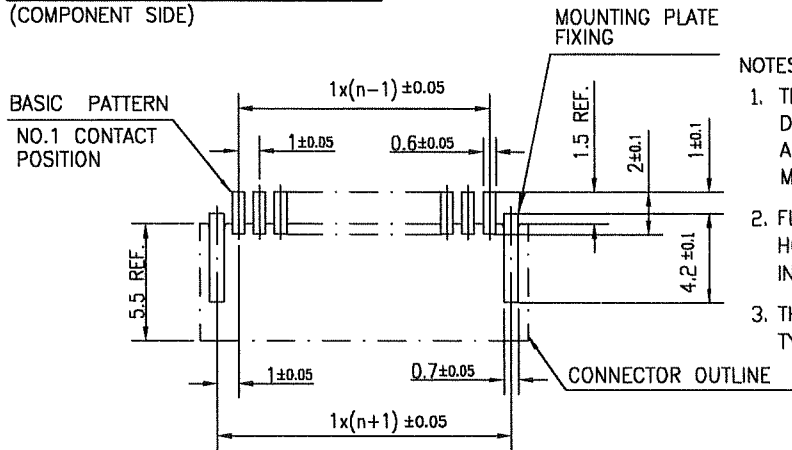
2



PT. NO.	PARTS NAME	MATERIAL	Q'TY	NOTE
1	HOUSING	PA6T RESIN GLASS REINFORCED (UL94V-D)	1	COLOR:BLACK
2	CONTACT	PHOSPHOR BRONZE	n	PLATING:TIN ALLOY
3	MOUNTING PLATE		2	

n : NO. OF CONTACTS

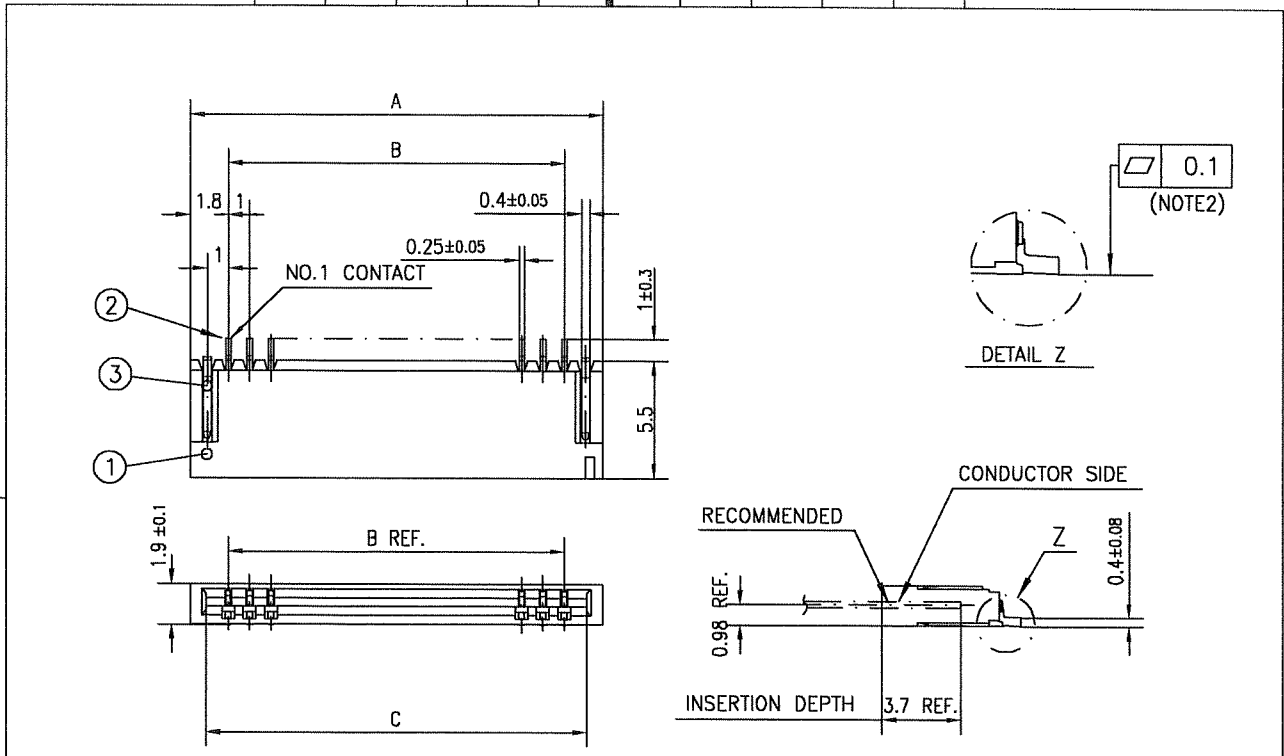
RECOMMENDED PC BOARD LAYOUT
(COMPONENT SIDE)



NOTES

1. THIS PRODUCT IS THE CONNECTOR DESIGNED TO TERMINATE FPC/FFC AND COPES WITH AUTOMATIC MOUNTING (SMT).
2. FLATNESS OF CONTACT TERMINAL FOR HOUSING MUST BE WITHIN TOLERANCE IN Z PORTION DETAILED DRAWING.
3. THIS PRODUCT IS LOWER CONTACT TYPE CONNECTOR.

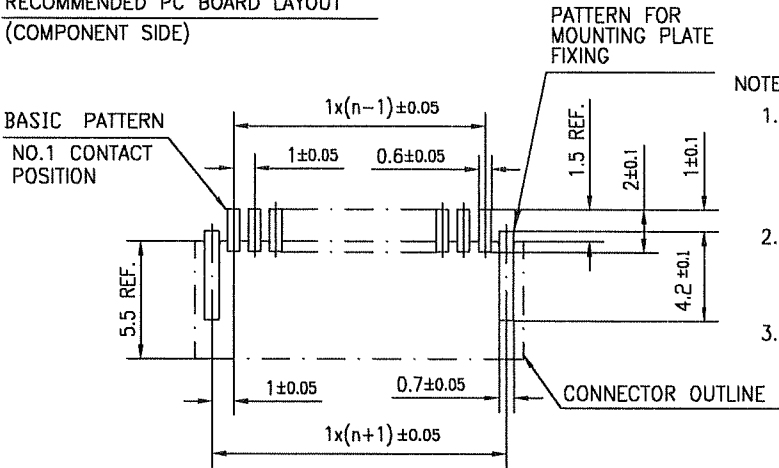
mat'l. code		surface 58 / tolerance ISO 1302 ✓ / ISO 406 / ISO 1101		projection		product family 58NF		CODE JP	
ltr		ecn no		dr		date		tolerances unless otherwise specified	
1		—		M.Y		3/4/'96		±0.2	
2		—		M.I		3/7/'97		mm	
A		J06-0413		H.T		10/4/'06		scale X	
dr		engr		chr		appd		title	
10/4/06		10/4/06		10/12/06		10/12/06		1mm SPACING SURFACE MOUNT FPC/FFC CONNECTOR (Cat. No. HFW__R-1ST__)	
dwg no		sheet 1 of 1		size		A4		FCJ	
JSA 93571								type Product Customer Drawing	
sheet index		revision A		sheet 1				Rev. A	



PT. NO.	PARTS NAME	MATERIAL	Q'TY	NOTE
1	HOUSING	PA6T RESIN GLASS REINFORCED (UL94V-0)	1	COLOR:BLACK
2	CONTACT	PHOSPHOR BRONZE	n	PLATING:TIN ALLOY
3	MOUNTING PLATE		2	

n : NO. OF CONTACTS

RECOMMENDED PC BOARD LAYOUT
(COMPONENT SIDE)



NOTES

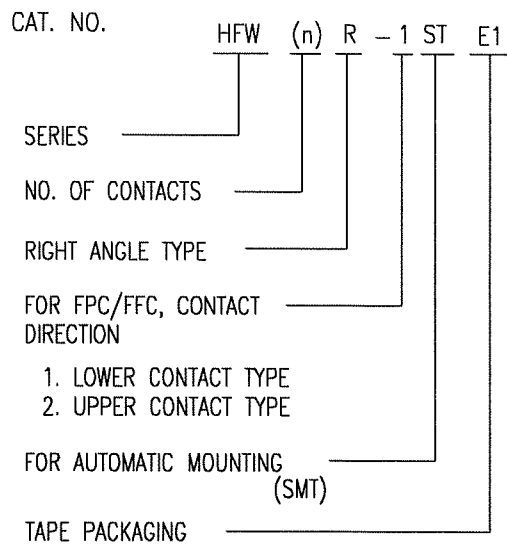
1. THIS PRODUCT IS THE CONNECTOR DESIGNED TO TERMINATE FPC/FFC AND COPES WITH AUTOMATIC MOUNTING (SMT).
2. FLATNESS OF CONTACT TERMINAL FOR HOUSING MUST BE WITHIN TOLERANCE IN Z PORTION DETAILED DRAWING.
3. THIS PRODUCT IS UPPER CONTACT TYPE CONNECTOR.

mat'l. code		surface 58 / tolerance ISO 1302 ✓ / ISO 406 / ISO 1101		projection		product family 58NF		CODE JP	
ltr		ecn no		dr		date		tolerances unless otherwise specified	
1		---		M.Y		3/1/'96		±0.2	
2		---		M.I		8/23/'96		angles linear	
A		J06-0413		H.T		10/4/'06		mm	
								scale X	
								title	
								1mm SPACING SURFACE MOUNT FPC/FFC CONNECTOR (Cat. No. HFWR_R-2ST_)	
								dwg no	
								sheet 1 of 1	
								size A4	
								type Product Customer Drawing	
sheet index		revision A						Rev. A	
sheet 1									

SC-HFWR01 JSA93575 93573 93574 form: A4

CAT. NO. & DIMENSIONS

(NOTE4)	NO. OF CONTACTS (n)	CAT. NO. (NOTE2)	DIMENSIONS (NOTE3)		
			E ± 5	F ± 0.3	G ± 0.1
	4	HFW4R-1/2STE1	28.4	24	—
	5	HFW5R-1/2STE1	28.4	24	—
	6	HFW6R-1/2STE1	28.4	24	—
	7	HFW7R-1/2STE1	28.4	24	—
	8	HFW8R-1/2STE1	28.4	24	—
	9	HFW9R-1/2STE1	28.4	24	—
	10	HFW10R-1/2STE1	28.4	24	—
	11	HFW11R-1/2STE1	28.4	24	—
	12	HFW12R-1/2STE1	28.4	24	—
	13	HFW13R-1/2STE1	28.4	24	—
	14	HFW14R-1/2STE1	28.4	24	—
	15	HFW15R-1/2STE1	36.4	32	28.4
	16	HFW16R-1/2STE1	36.4	32	28.4
	17	HFW17R-1/2STE1	36.4	32	28.4
	18	HFW18R-1/2STE1	36.4	32	28.4
	19	HFW19R-1/2STE1	48.4	44	40.4
	20	HFW20R-1/2STE1	48.4	44	40.4
	21	HFW21R-1/2STE1	48.4	44	40.4
	22	HFW22R-1/2STE1	48.4	44	40.4
	23	HFW23R-1/2STE1	48.4	44	40.4
	24	HFW24R-1/2STE1	48.4	44	40.4
	25	HFW25R-1/2STE1	48.4	44	40.4
	26	HFW26R-1/2STE1	48.4	44	40.4
	27	HFW27R-1/2STE1	48.4	44	40.4
*	28	HFW28R-1/2STE1	48.4	44	40.4
*	29	HFW29R-1/2STE1	48.4	44	40.4
	30	HFW30R-1/2STE1	60.4	56	52.4



NOTES

1. THIS PRODUCT IS THE CONNECTOR DESIGNED TO TERMINATE FPC/FFC AND COPE WITH AUTOMATIC MOUNTING (SMT).
2. THIS CATALOG NO. INDICATES PLASTIC TAPE PACKAGED CONNECTOR.
3. SEE PART DRAWINGS FOR DIMENSIONS E~G.
4. PLEASE CONSULT US IN CASE OF USING PARTS WITH * MARK.

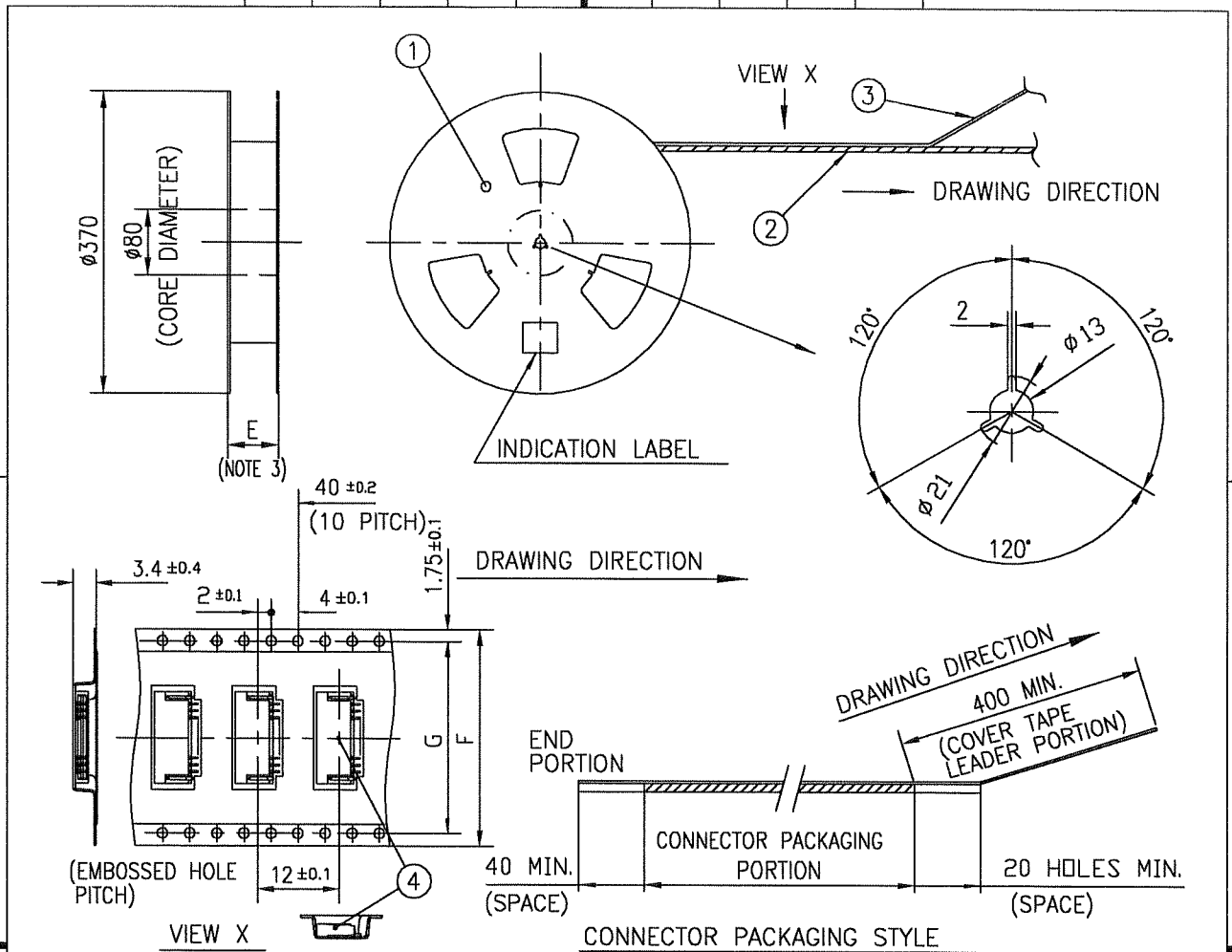


FCIconnect.com

Copyright FCI.

mat'l. code				surface 58 / tolerance ISO 1302 ✓ / ISO 406 / ISO 1101		projection		product family 58NF		CODE JP	
ltr	ecn no	dr	date	tolerances unless otherwise specified		mm		title			
4	—	M.Y	7/15/97	angles	linear	mm		CAT. NO. TABLE FOR PLASTIC TAPE PACKAGED 1mm SPACING SMT CONN. (Cat. No. HFW__R-1/2STE1)			
5	—	M.I	4/10/98			scale X		dwg no JSA 93589 sheet 1 of 1 size A4			
6	—	T.M	4/30/02			FCI		type Product Customer Drawing			
A	J06-0413	H.T	10/4/06	dr	10/10/06			Rev. A			
				enrg	10/10/06						
				chr	10/10/06						
				appd	10/10/06						
sheet index	revision sheet	A	1								

SC-HFWR01 JSA93575 93577 93578 form: A4



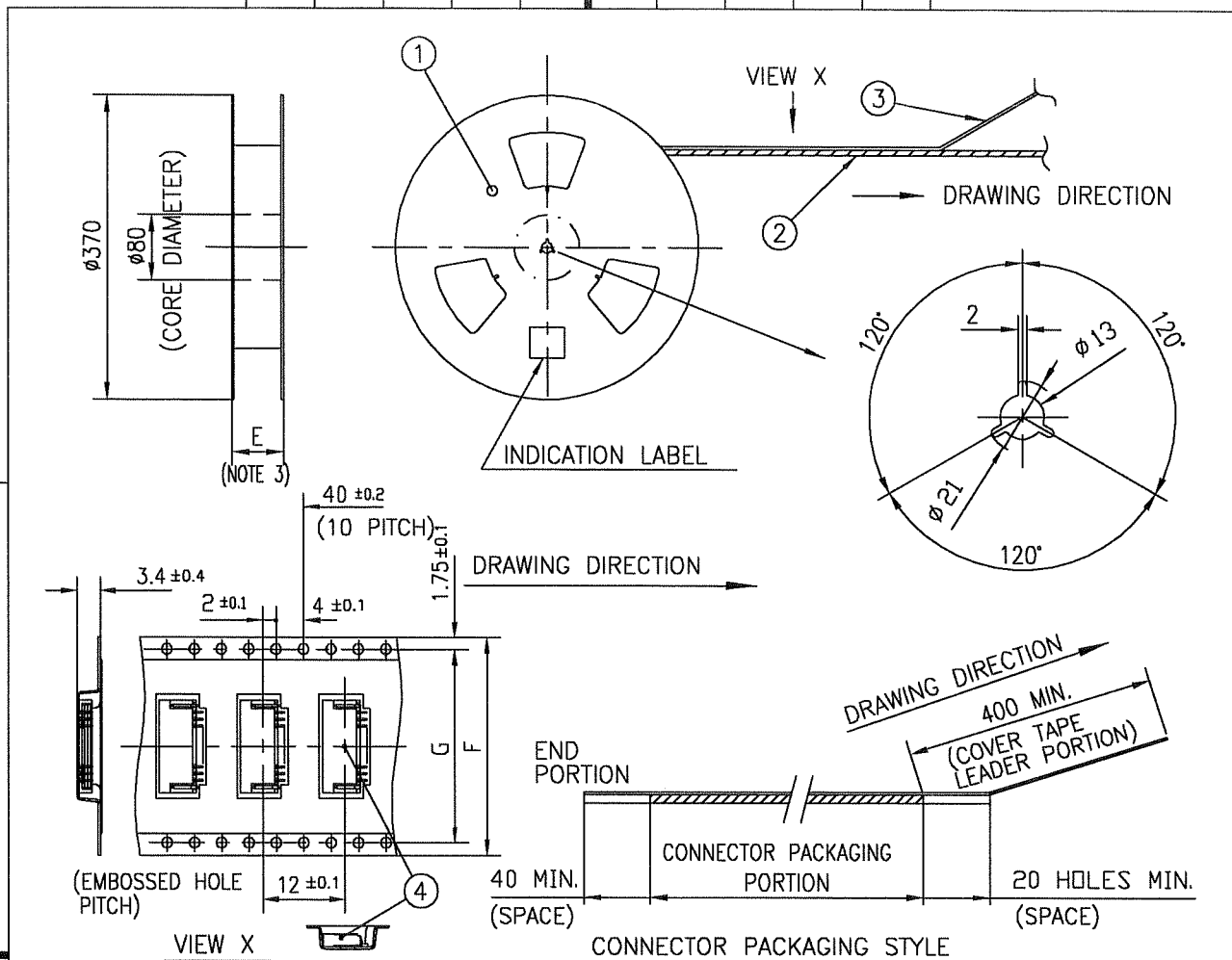
PT. NO.	PARTS NAME	CAT. NO.	MATERIAL	Q'TY	NOTE
1	REEL	—	CARDBOARD	1	COLOR:WHITE
2	PLASTIC (EMBOSSED) TAPE	—	PET	—	COLOR:TRANSPARENCY
3	COVER	—	POLYESTER	—	COLOR:TRANSPARENCY
4	CONNECTOR	HFV__R-1ST__	SEE ATTACHED DWG.	2000	LOWER CONTACT TYPE

NOTES

1. THIS IS PLASTIC TAPE PACKAGED CONNECTOR DESIGNED TO TERMINATE FPC/FFC AND COPES WITH AUTOMATIC MOUNTING (SMT).
2. SEE JIS C 0806 (PACKING OF ELECTRONIC COMPONENTS ON CONTINUOUS TAPES (SURFACE MOUNTING DEVICES)) FOR SHAPE AND DIMENSIONS OF PLASTIC (EMBOSSED) TAPE AND REEL.
3. E DIMENSION IS PORTION OF THE CORE.

mat'l. code		surface 58 / tolerance ISO 1302 ✓ / ISO 406 / ISO 1101		projection		product family 58NF		CODE JP	
ltr		ecn no		dr		date		tolerances unless otherwise specified	
1		—		T.M		5/1/02		±0.5	
A		J06-0413		H.T		10/4/06		mm	
				angles				scale X	
				linear				mm	
				±0.5'				mm	
				dr		10/14/06		sheet 1 of 1	
				enr		10/14/06		size A4	
				chr		10/12/06		sheet 1 of 1	
				app		10/12/06		size A4	
sheet index		revision sheet		A		1		type Product Customer Drawing	

SC-HFWR01 JSA93589
form: A4



PT. NO.	PARTS NAME	CAT. NO.	MATERIAL	Q'TY	NOTE
1	REEL	—	CARDBOARD	1	COLOR:WHITE
2	PLASTIC (EMBOSSED) TAPE	—	PET	—	COLOR:TRANSPARENCY
3	COVER	—	POLYESTER	—	COLOR:TRANSPARENCY
4	CONNECTOR	HFWR__R-2ST__	SEE ATTACHED DWG.	2000	UPPER CONTACT TYPE

NOTES

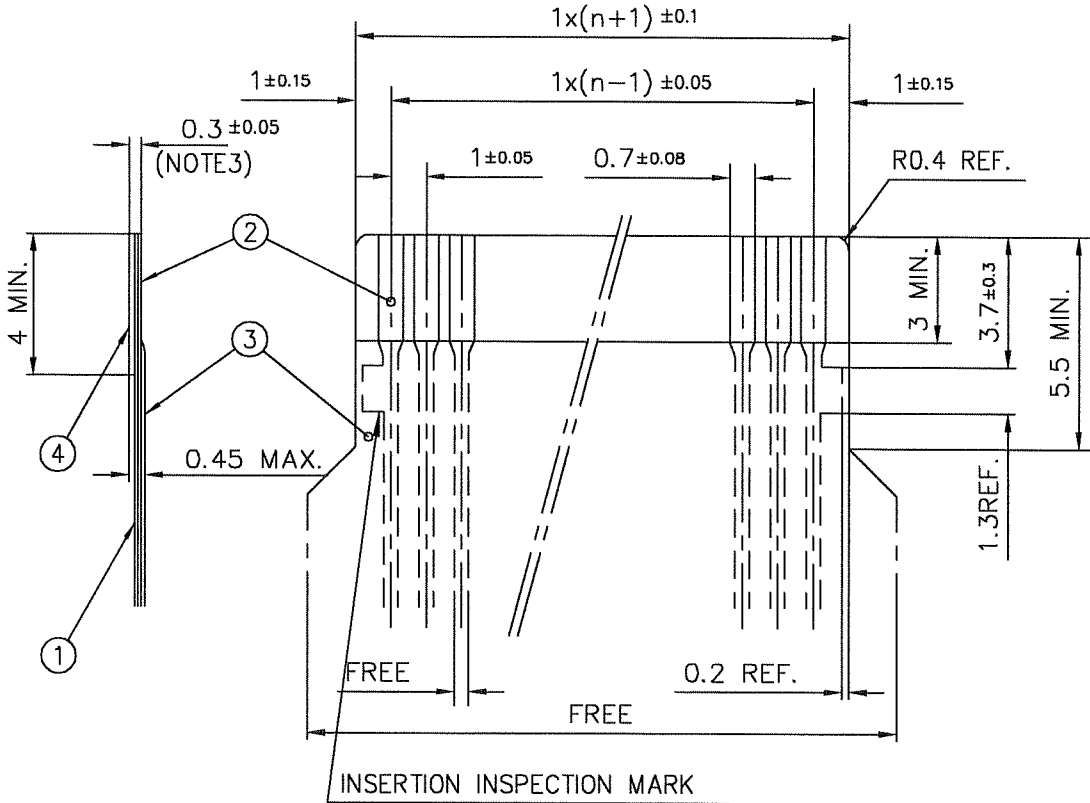
1. THIS IS PLASTIC TAPE PACKAGED CONNECTOR DESIGNED TO TERMINATE FPC/FFC AND COPES WITH AUTOMATIC MOUNTING (SMT).
2. SEE JIS C 0806 (PACKING OF ELECTRONIC COMPONENTS ON CONTINUOUS TAPES (SURFACE MOUNTING DEVICES)) FOR SHAPE AND DIMENSIONS OF PLASTIC (EMBOSSED) TAPE AND REEL.
3. E DIMENSION IS PORTION OF THE CORE.

mat'l. code				surface 58/ISO 1302	tolerance ISO 406/ISO 1101	projection	product family 58NF	CODE JP
ltr	ecn no	dr	date	tolerances unless otherwise specified		mm	title	
1	—	T.M	5/1/'02	angles	±5		1mm SPACING SMT CONNECTOR (Cat. No. HFWR__R-2STE1)	
A	J06-0413	H.T	10/4/'06	linear	±5'	scale	sheet 1 of 1 size A4	
				dr	10/14/06		dwg no JSA 93578	
				enrg	10/21/06		type Product Customer Drawing	
				chr	10/12/06			
				appd	10/12/06			
sheet index	revision sheet	A	1					Rev. A

SC-HFWR01 JSA93575 93589 form: A4

RECOMMENDED CABLE (FPC)

n : NO. OF CONDUCTORS



PT. NO.	DESCRIPTION	MATERIAL	THICKNESS (μm)
1	BASE FILM	POLYIMIDE OR POLYESTER OR EQUIVALENT	25
2	CONDUCTOR	COPPER FOIL(PLATING : SOLDER 1μm MIN.)	35
3	OVERLAY	POLYIMIDE OR POLYESTER OR EQUIVALENT	—
4	SUPPORTING TAPE	POLYESTER OR POLYIMIDE OR EQUIVALENT	188

NOTES

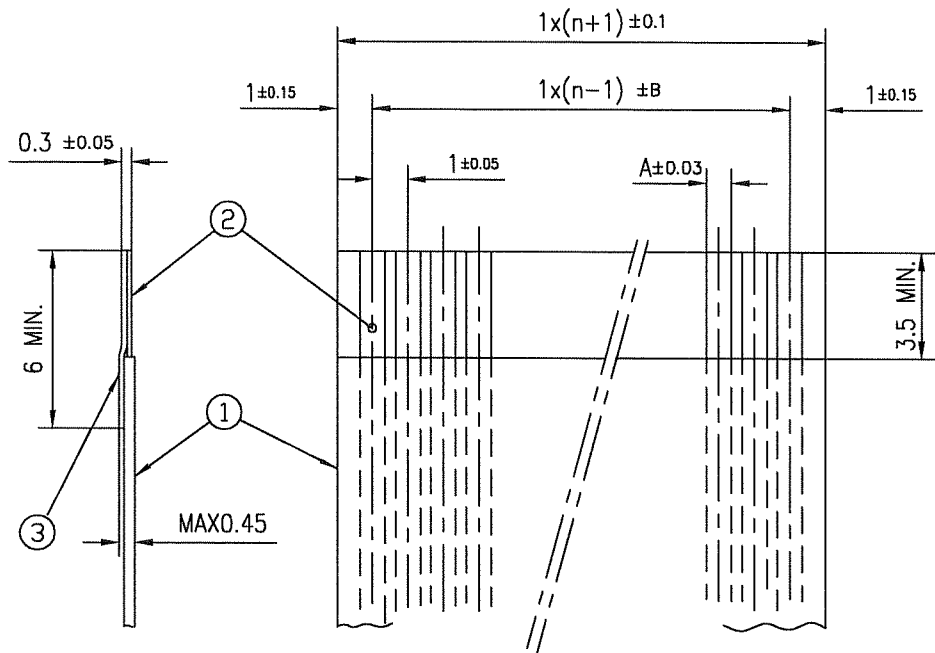
1. NO BURR AT EACH PORTION.
2. NO PEELING IN COMMON USE.
3. TOTAL THICKNESS LIMIT OF EACH MATERIAL (INCLUDING ADHESIVE AGENT) IS SPECIFIED.

mat'l. code		surface 58 / tolerance ISO 1302 ✓ / ISO 406 / ISO 1101		projection		product family 58NF		CODE JP		
ltr	ecn no	dr	date	tolerances unless otherwise specified		title				
A	J06-0413	H.T	10/4/'06	angles	linear	mm		RECOMMENDED CABLE		
						scale X		(Cat. No. HFW__R-1/2__)		
		dr	10/14/'06			dwg no		sheet 1 of 1		
		enr	10/15/'06			JSA 93573		size A4		
		chr	10/12/'06			type Product Customer Drawing				
		app	10/12/'06							
sheet index	revision sheet	A	1							Rev. A

form: A4

RECOMMENDED CABLE (FFC)

n : NO. OF CONDUCTORS



(NOTE 3)	DIMENSION A	TOLERANCE B
1	0.7	0.1
2	0.6	0.07

PT. NO.	DESCRIPTION	MATERIAL	NOTE
1	INSULATOR	FLAME RESISTING POLYESTER OR EQUIVALENT	_____
2	CONDUCTOR	COPPER FOIL	PLATING: TIN OR SOLDER 1µm MIN.
3	SUPPORTING TAPE	FLAME RESISTING POLYESTER OR EQUIVALENT	_____

- NOTES
1. NO BURR AT EACH PORTION.
 2. NO PEELING IN COMMON USE.
 3. BOTH COMBINATION IS ALLOWED.

mat'l. code				surface ⁵⁸ / tolerance ISO 406 ISO 1101		projection		product family 58NF		CODE JP			
ltr				ecn no		dr		date		tolerances unless otherwise specified			
1				---		T.M		4/30/'02		mm			
A				J06-0413		H.T		10/4/'06		angles linear			
										scale X			
				dr		10/12/06				sheet 1 of 1 size			
				enrg		10/12/06				dwg no JSA 93574		A4	
				chr		10/12/06				type Product Customer Drawing			
				appd		10/12/06							
sheet index		revision sheet		A		1				Rev. A			