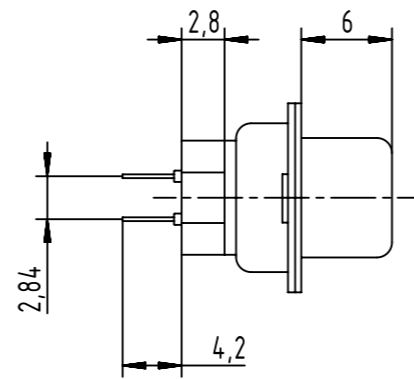
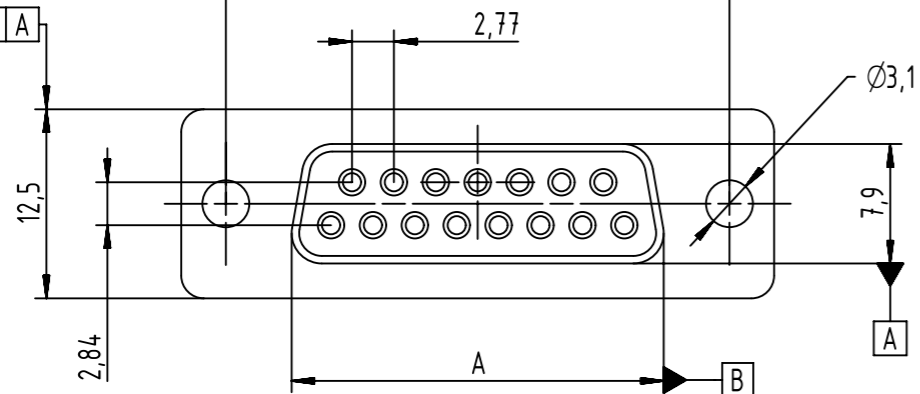


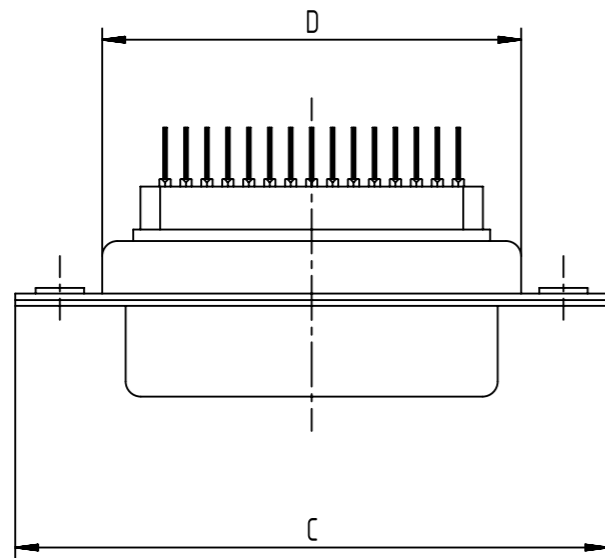
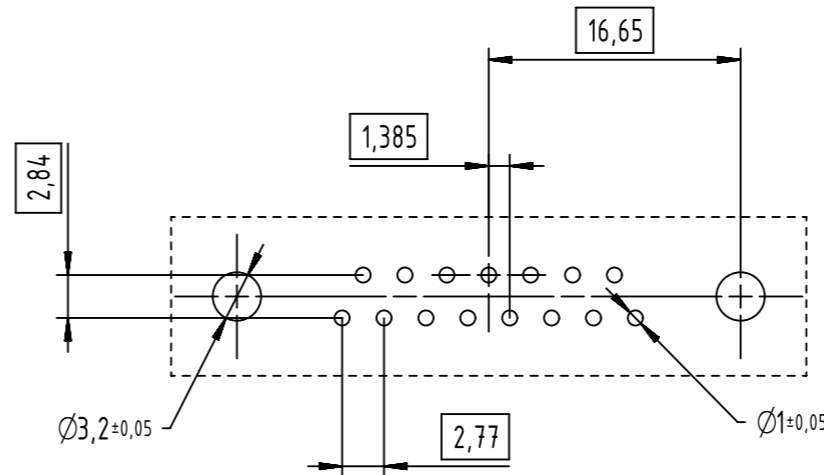
0,25 | A

0,25 | B



FREQUENCY (MHz)	ATTENUATION (dB)
5	0,5
10	1
50	3,5
100	4
500	5
1000	5,5

PC-Board layout
view component side
thickness 1,6 mm



Operating voltage <250 V AC
Working current <7,5 A
Insulation resistance >1 GΩ
Contact resistance <15 mΩ
Dielectric withstanding voltage 500 V AC / minute

09641127800	09	16,30	25,00	30,80	19,20	PL3
09642127800	15	24,60	33,30	39,20	27,70	
09643127800	25	38,30	47,10	53,10	41,10	
Part number	Number of pins	A	B	C	D	Performance level

	All rights reserved	Created by	Inspected by	Standardisation	Date	State	
	Department EC PD - FR	DOUGE	BAGDIKIAN	HOFFMANN	2013-10-25	Final Release	
HARTING Electronics GmbH		Title D-Sub F female straight solder pins				Doc-Key / ECM-Nr. 100554883/UGD/001/A 50000067708	
D-32339 Espelkamp		Type	Number		Rev.	Page	
		TB	0964X127800		A	1/1	