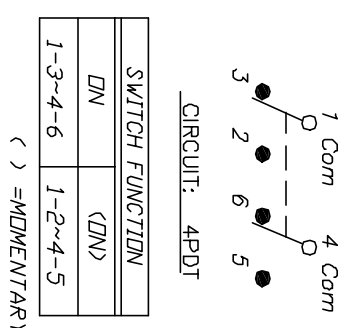
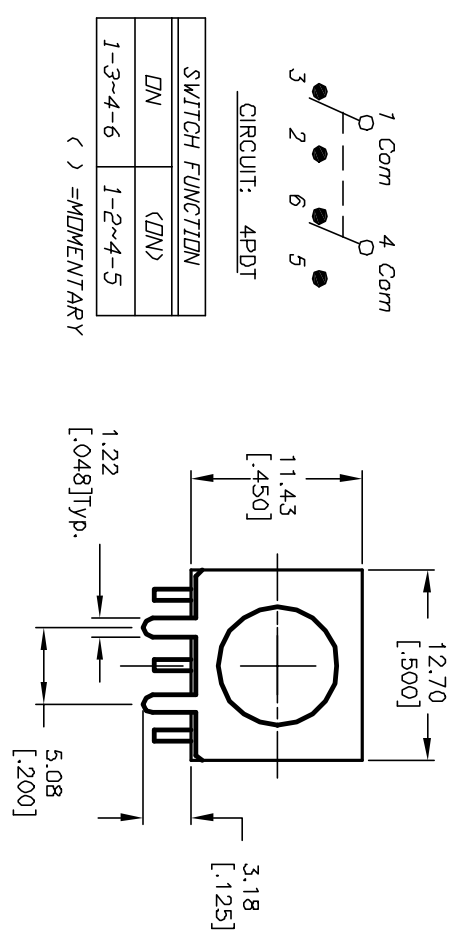
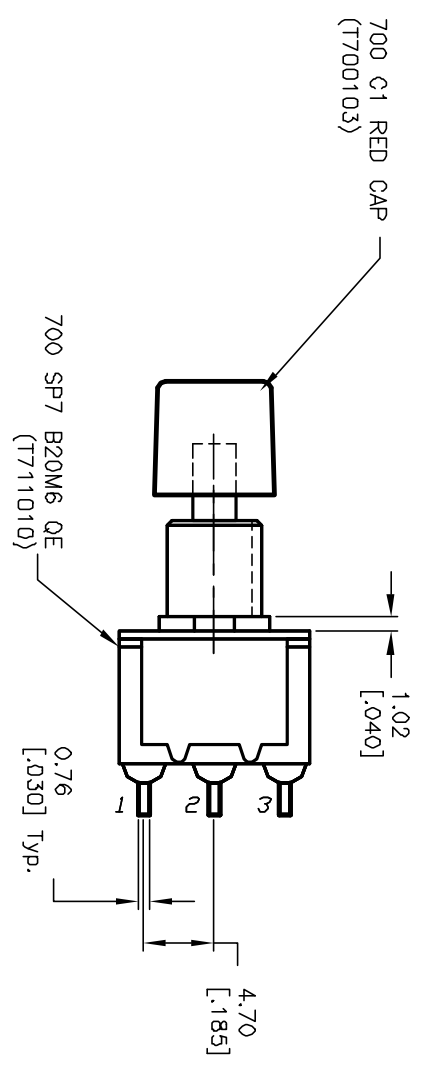
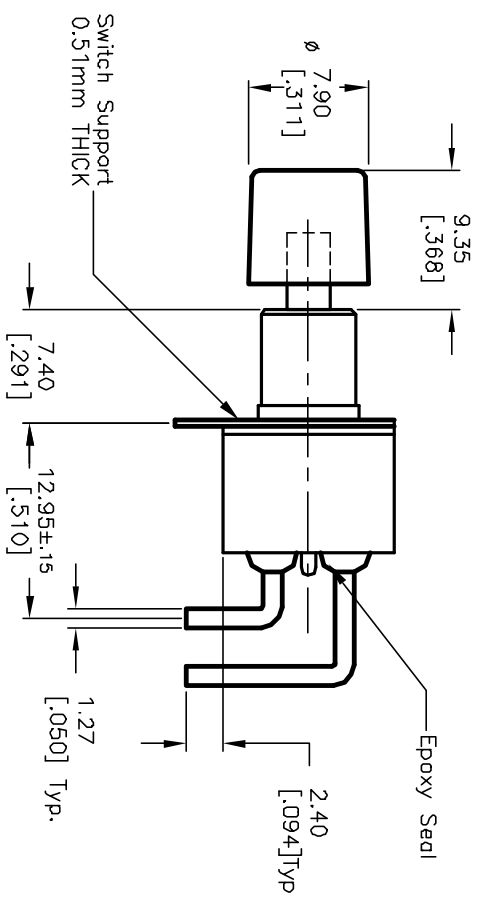


RECOMMENDED P.C.B. LAYOUT



SWITCH FUNCTION	
DN	(DN)
1-3~4-6	1-2~4-5



NOTES:

1. ALL DIMENSIONS IN MM [INCH]
2. GENERAL TOLERANCE: X.X=±0.4 X.XX=±0.25
3. TERM. NOS. FOR REF. ONLY
4. RATING: 1A, @120VAC or 28VDC
5. ELECTRICAL LIFE: 50,000 make-and-break cycles at full load.
6. INSULATION RESISTANCE: 1,000M ohm min.
7. DIELECTRIC STRENGTH: 1,000V RMS @sea level.
8. OPERATING TEMP.: -30°C to 85°C.

REV.	ECN No.	DESCRIPTION	DATE	CHK'D
A	11616	RELEASED FOR PRODUCTION	8/14/01	

TITLE	SCALE	DATE	DR	DWG	REV
700 DP-7 B20 M6 Q E /C1 RED	2:1	8/14/01	CB	XT0085A	A



THE INFORMATION CONTAINED IN THIS DOCUMENT IS PROPRIETARY TO E-SWITCH AND IS NOT TO BE COPIED OR TRANSMITTED