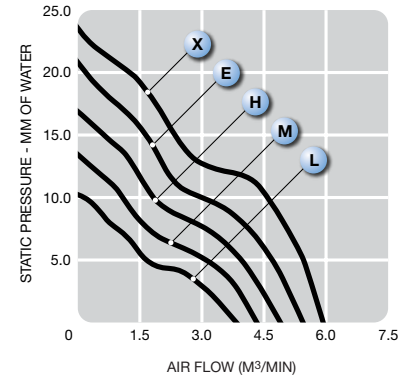
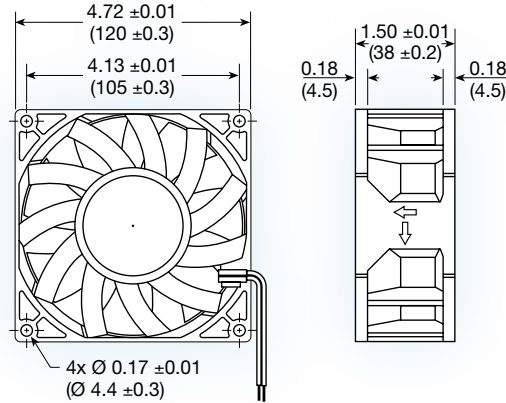


MD1238 series



(120 x 120 x 38 mm)

4.72 x 4.72 x 1.5 inches

Construction: UL94V-0 PBT impeller & frame

Bearing option: ball bearing

Connection: AWG 24, UL1007 lead wires

Frame: flanged

Protection: thermal

Options: tachometer output or locked rotor alarm signal; PWM speed control

Model No.	Rated Voltage V	Current mA			Speed RPM	Air Volume		Max. Static Pressure (H ₂ O)		Sound Noise dBa	Weight g
		12	24	48		M ³ /Min.	CFM	MM	INCH		
MD1238L	12/24	850	480	-	3,000	3.90	137	10.4	0.42	52.0	411
MD1238M	12/24	1200	660	-	3,400	4.42	155	13.4	0.54	54.5	411
MD1238H	12/24	1600	800	-	3,800	4.92	174	16.7	0.67	57.8	411
MD1238E	12/24/48	2100	1100	460	4,200	5.43	192	20.4	0.82	59.0	411
MD1238X	12/24/48	2500	1300	850	4,500	5.82	205	23.4	0.94	62.0	411