



Key Features

- Yagi (directional) antenna
- 10dBi gain
- Pole/wall mounted
- Bracket included

General Description

The Siretta Oscar 18 antenna is a family of high gain quad band GSM/GPRS and 3G antennas. The Oscar 18 is a Yagi antenna and therefore offers substantially higher gain compared to simple dipole antennas. Offering a high 10dBi gain and low VSWR, the Oscar 18 is a high performance antenna for high demanding cellular applications and locations.

The Oscar 18 comes with a 150mm lead from the antenna that is terminated with an N-type female connector. The N-type connector was developed to satisfy the need for a durable, weatherproof connectivity in RF applications, hence its use with our Oscar 18 antenna. An extension RG58 cable is also required with this antenna, one that is terminated with an N-type male connector at one end and a connector of your choice at the other.

The Oscar 18 measures 29 x 21 x 6.5cm and is supplied with a mounting bracket for wall or pole mounting.

Additional Considerations

- Designed for indoor and outdoor environments
- Measures 29 x 21 x 6.5cm (LxHxD)
- Equipped with N-type female connector (inherently waterproof)
- 800 - 2500MHz frequency range

Rev 1.2

Key Specifications - Electrical

Impedance:	50 ohm
Gain:	10dBi
VSWR:	<1.5
Frequency range:	800 - 2500MHz
Maximum power:	50W
Front to back ratio:	>20dB
Rated wind velocity:	55m/s
Lightening protection:	DC Ground
Polarization:	Vertical

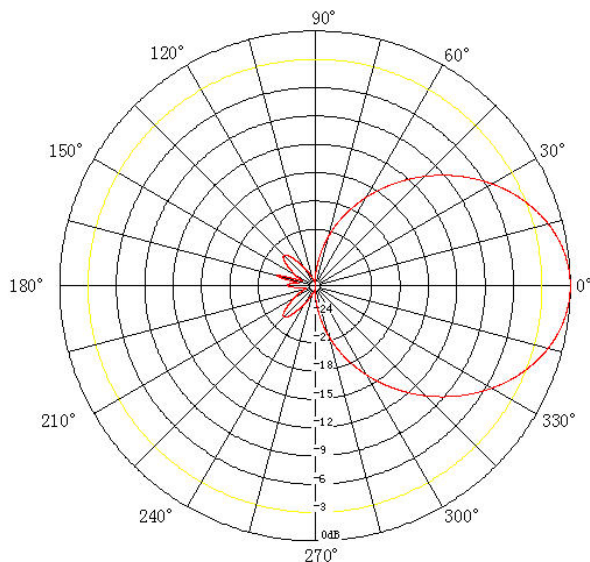
Key Specifications - Mechanical

Dimensions:	29 x 21 x 6.5cm
Weight:	700g
Connector:	N-Type Female

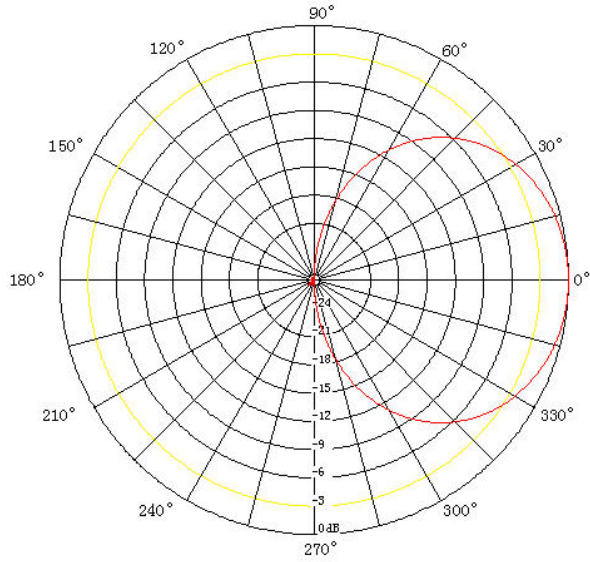
Test Reports

Radiation Patterns

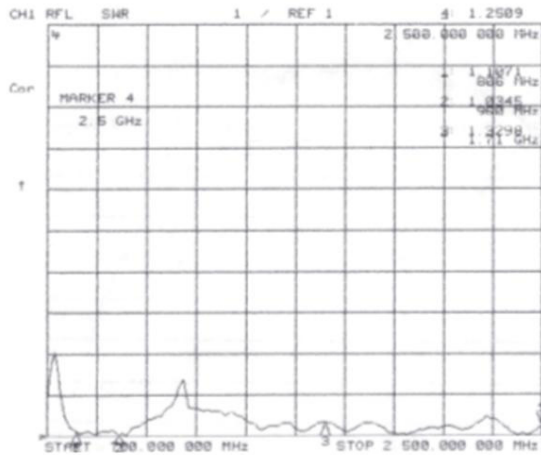
Vertical Radiation



Horizontal Radiation



Return Loss



Ordering Details

Part number	Description
OSCAR18/x/NF/S/S/22	Wall/Pole Mount Quad Band GSM/3G Yagi Antenna, N-Type Female Connectors
ASMA500R058S11	5m RG58 Cable, N-Type Male to SMA Male Connectors