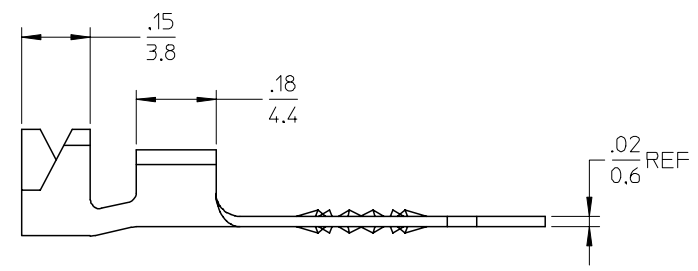
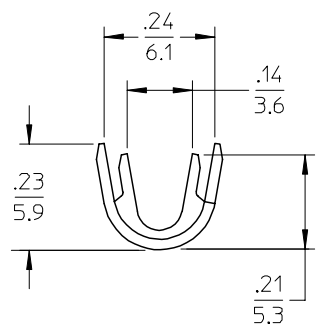
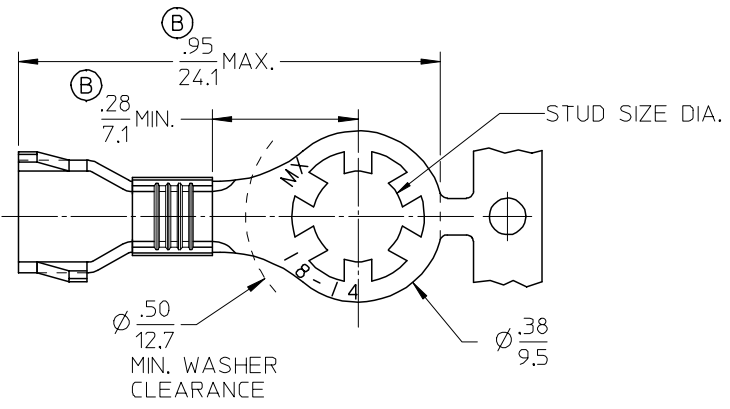


MATERIAL NO.	ENG. NO.	STUD SIZE	"S"±.003	MATERIAL	PLATING
190840001	SRZ-0129-06	6	.146/3.71	BRASS	NONE
190840002	SRZ-0129-08	8	.173/4.39		
190840003	SRZ-0129-10	10	.198/5.03	BRASS	TIN
190840004	SRZ-4129-06	6	.146/3.71		
190840005	SRZ-4129-08	8	.173/4.39		
190840006	SRZ-4129-10	10	.198/5.03	STEEL	
190840007	SRZ-S-4129-06	6	.146/3.71		
190840008	SRZ-S-4129-08	8	.173/4.39		
190840009	SRZ-S-4129-10	10	.198/5.03		



SALES DRAWING

NOTE(S):
 1. WIRE: SIZE: 18-14 AWG
 0.7 - 2.6 MM²

UPDATE TO MX STDS EC NO: ETC2001-0128 DRWNG: JYR/CK 2005/02/18 CHKD: JPAML/CK 2005/02/18 APPR: JPAML/CK 2005/02/18	DESCRIPTION REV	QUALITY SYMBOLS ▽=0 ▽=0	GENERAL TOLERANCES (UNLESS SPECIFIED)		DIMENSION STYLE	SCALE	DESIGN UNITS	THIRD ANGLE PROJECTION			
					IN/MM		INCH				
			4 PLACES	± ---	± ---	DRAWN BY	DATE	TITLE OPEN BARREL STRIP STAR RING, VIBRAKRIMP 18-14 AWG			
			3 PLACES	± ---	± .005	CHECKED BY	DATE				
2 PLACES	± 0.13	± .01	APPROVED BY	DATE	MATERIAL NO. DOCUMENT NO. SHEET NO. SEE CHART SD-19084-001 1 OF 1						
1 PLACE	± 0.25	± ---	RDEROSS	1995/05/05							
ANGULAR ±1/2°			DRAFT WHERE APPLICABLE MUST REMAIN WITHIN DIMENSIONS		THIS DRAWING CONTAINS INFORMATION THAT IS PROPRIETARY TO MOLEX INCORPORATED AND SHOULD NOT BE USED WITHOUT WRITTEN PERMISSION						