

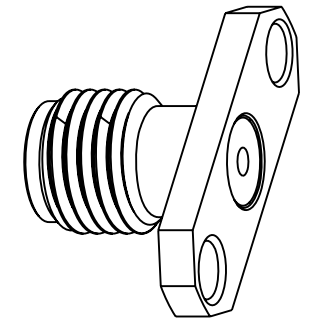
NOTES:

1. MATERIALS AND FINISHES(PLATING THICKNESS IN MICRO-INCHES):  
 BODY - STAINLESS STEEL, PASSIVATED  
 CONTACT - BERYLLIUM COPPER, GOLD PLATING  
 INSULATORS - PTFE, NATURAL
2. ELECTRICAL:  
 A. IMPEDANCE: 50 OHM  
 B. FREQUENCY RANGE: DC-18 GHz
3. MECHANICAL:  
 A. DURABILITY: 500 CYCLES MIN.  
 B. TEMPERATURE RANGE: -40° C TO +155° C
4. PACKAGING:  
 A. QUANTITY: SINGLE PACK  
 B. MARKING: BAG TO BE MARKED  
 "AMPHENOL, 901-9814, AND DATE CODE"

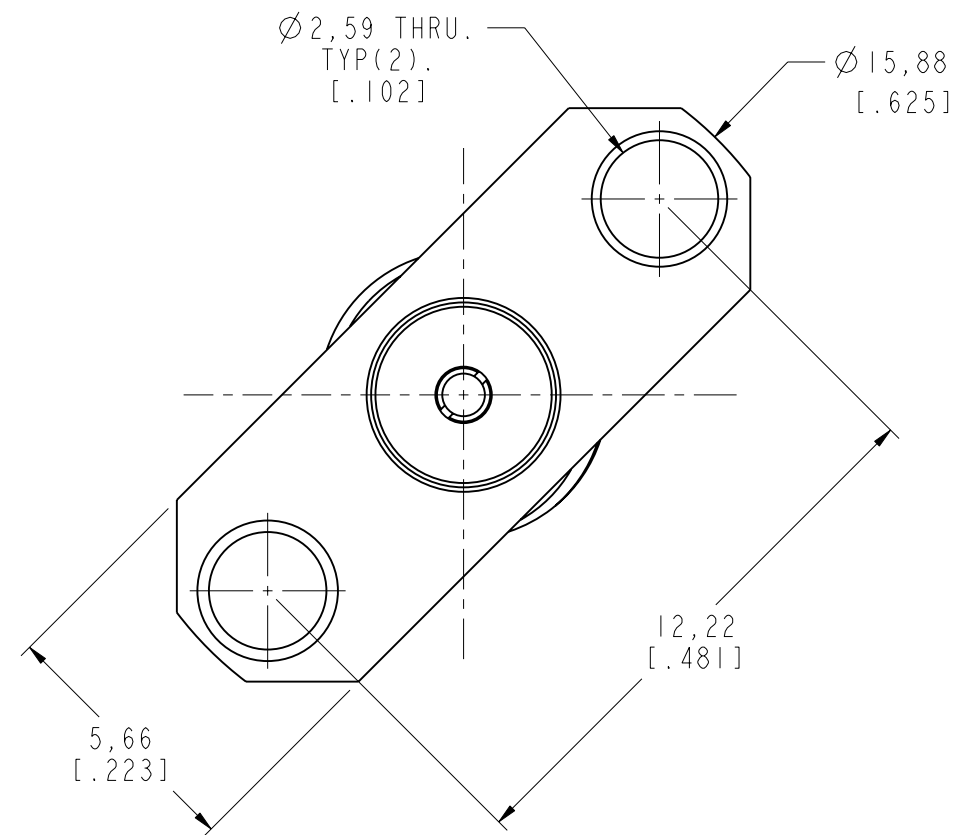
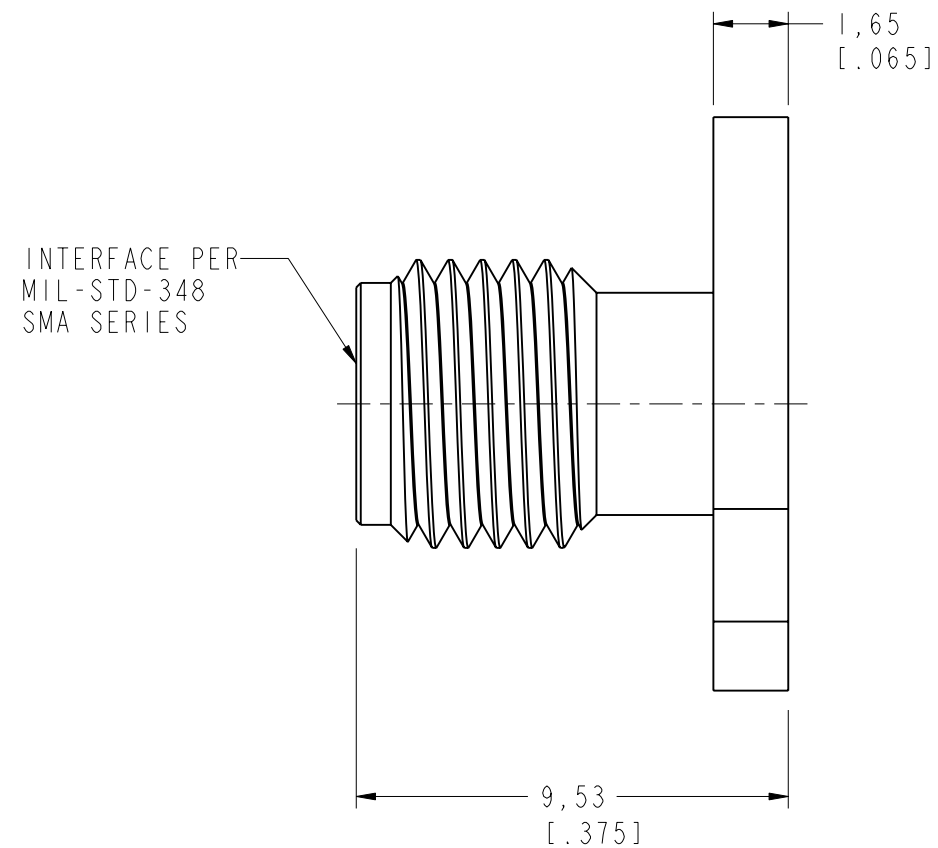
THIRD ANGLE PROJ.

REVISIONS

REV	DESCRIPTION	DATE	ECO	APPR
A	RELEASE TO MFG.	8/21/91	38439	FSH
B	REDRAWN PRO-E; DEL NOTE 2 & 3; ADD SHT 2	1/9/03	44321	CPM
C	UPDATE TO GLOBAL FORMAT	27-Oct-11	48672	SH



SCALE 3.000



**CUSTOMER OUTLINE DRAWING**

ALL OTHER SHEETS ARE FOR INTERNAL USE ONLY

UNLESS OTHERWISE SPECIFIED, DIMENSIONS ARE IN METRIC AND TOLERANCES ARE: <0.5mm ±0.05mm    0.5 - 6mm ±0.1mm    6 - 30mm ±0.2mm    30 - 120mm ±0.3mm    ANGLES ±1°	MATERIAL	DRAWN J. JING DATE 08-Jul-11	TITLE SMA PANEL JACK		Amphenol RF www.amphenolrf.com
	NOTICE - These drawings, specifications, or other data (1) are, and remain the property of Amphenol corp. (2) must be returned upon request; and (3) are confidential and not to be disclosed to any person other than those to whom they are given by Amphenol Corp. the furnishing of these drawings, specifications, or other data by Amphenol Corp., or to any other person to anyone for any purpose is not to be regarded by implication or otherwise in any manner licensing, granting rights to permitting such holder or any other person to manufacture, use or sell any product, process or design, patented or otherwise, that may in any way be related to or disclosed by said drawings, specifications, or other data.	REFERENCE EAR 9614182 MOTOROLA 615X-1034-200 GEN# ASSYF62_SMA			
FINISH		APPROVED SCOTT DATE 08-Jul-11	SCALE: 6.0:1.0    SHEET 2 OF 2	ITEM NO. 901-9814	
		I:\SMA\901-9814	DWG SIZE B	REV C	PART NO. 901-9814