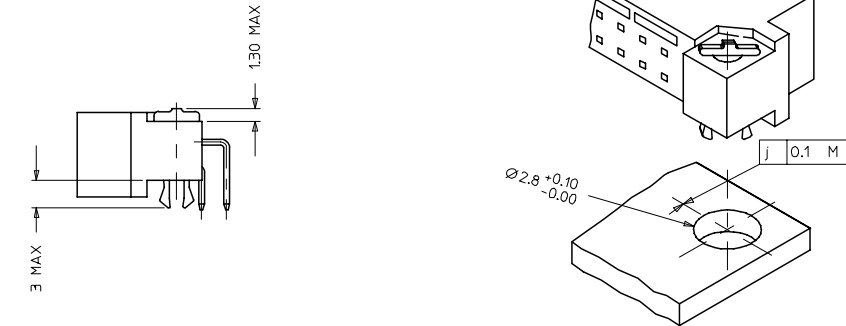
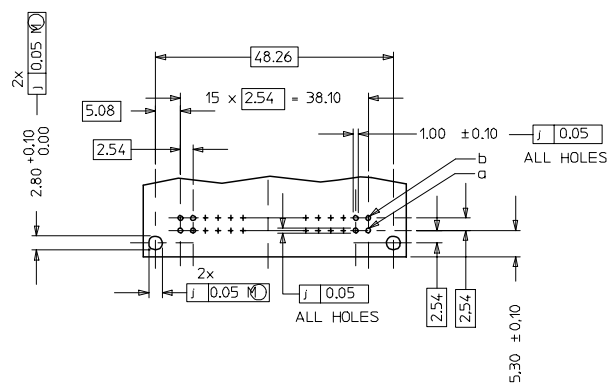


WITH MOUNTING CLIPS
8:1



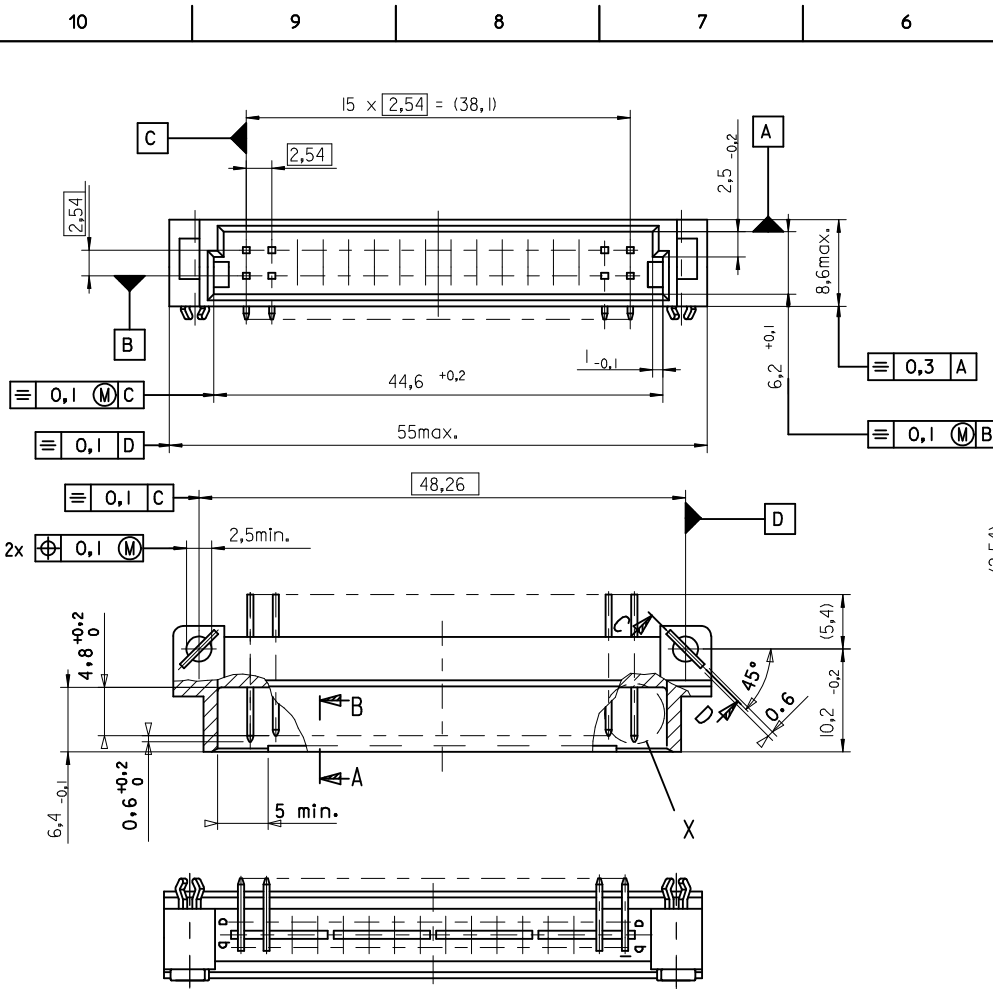
- NOTES:
- MATERIALS: THERMOPLASTIC POLYESTER, GLASS FILLED, UL94V-0
COLOUR: PEBBLE GREY, RAL 7032
TERMINAL - BRASS
MOUNTING CLIP: STEEL
 - FINISH: TERMINAL-
CONTACT AREA
1. PERFORMANCE LEVEL 1: SELECTIVE GOLD (Au), THICKNESS = 1.1 MICROMETER
OVER NICKEL, THICKNESS = 1.25 MICROMETER
2. PERFORMANCE LEVEL 2: SELECTIVE GOLD (Au), THICKNESS = 0.6 MICROMETER
OVER NICKEL, THICKNESS = 1.25 MICROMETER
3. PERFORMANCE LEVEL 3: SELECTIVE GOLD (Au), THICKNESS = 0.3 MICROMETER
OVER NICKEL, THICKNESS = 1.25 MICROMETER
TERMINATION AREA:
SELECTIVE TIN, THICKNESS = 2.5 MICROMETER
OVER NICKEL, THICKNESS = 1.25 MICROMETER OVERALL
 - MOUNTING CLIP:-
TIN (Sn), THICKNESS = 5-10 MICROMETER,
OVER NICKEL (Ni), THICKNESS = 2.5 MICROMETER
 - FOR NON MOUNTING CLIP OPTION, CONNECTOR TO BE SECURED WITH
RIVETS: 2 TUBULAR RIVETS 2.5 x 0.3 ... DIN 7340
SCREWS: 2 CHEESEHEAD SCREWS M2.5 x ... DIN 84 AND 2 HEXAGONAL NUTS M2.5 DIN 934
 - STANDARD MARKING: MOLEX, MATERIAL NUMBER, BATCH CODE
 - CUT FACES OF TIP WITHOUT PLATING IS PERMITTED
 - PRODUCT SPECIFICATION PS : 85003-0001

RECOMMENDED PCB LAYOUT
COMPONENT SIDE

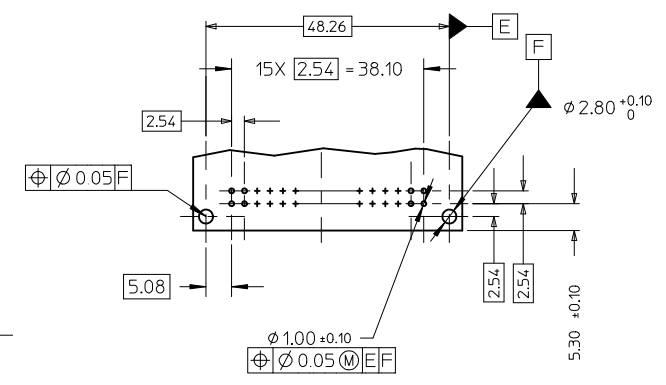


RoHS COMPLIANT

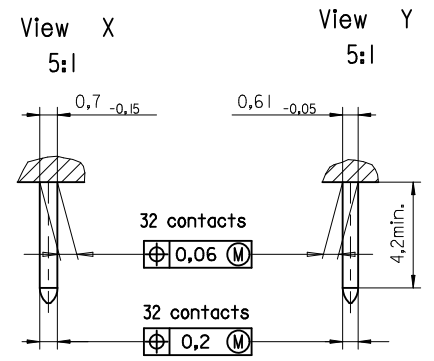
ENTER DESCRIPTION ELC.MC.1.2007-0193 DRAWING NO. 2007/01/08 CHKD/SUBDR 2007/01/08 APPR/PRA/SAD 2007/01/09	QUALITY SYMBOLS ▽=0 ▽=0	GENERAL TOLERANCES (UNLESS SPECIFIED)		DIMENSION STYLE MM ONLY	SCALE 2:1	DESIGN UNITS METRIC	THIRD ANGLE PROJECTION
		4 PLACES ± --- ± --- 3 PLACES ± 0.05 ± --- 2 PLACES ± 0.1 ± --- 1 PLACE ± 0.15 ± ---	INCH ± --- ± --- ± ---	DRAWN BY NS DATE 2001/04/02	CHECKED BY G.J.LOWE DATE 2001/04/02	ASSEMBLY, DIN 41612 B/2 MALE 32 POS	
DRAFT WHERE APPLICABLE MUST REMAIN WITHIN DIMENSIONS	SIZE A 1	DRAFT WHERE APPLICABLE MUST REMAIN WITHIN DIMENSIONS		MATERIAL NO. SEE CHART	DOCUMENT NO. SD-85001-0002	MOLEX INCORPORATED	
		INCORPORATED AND SHOULD NOT BE USED WITHOUT WRITTEN PERMISSION		SHEET NO. 1 OF 2			



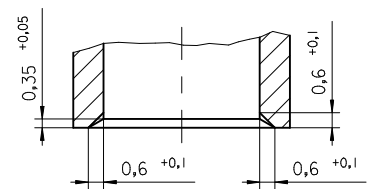
RECOMMENDED PCB LAYOUT
COMPONENT SIDE



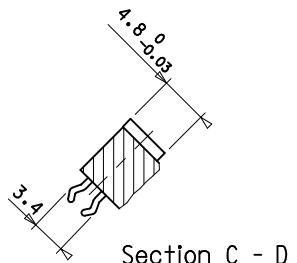
RECOMMENDED PCB THICKNESS - 1.6MM



Section A - B
5:1



Section C - D



ENTER DESCRIPTION EC NO: 12011-0346 DRWN: VUTTARKAR 2011/08/31 CHKD: KRASAD APPR: KRASAD 2011/09/02	QUALITY SYMBOLS F _A =0 F _B =0 F _C =0	GENERAL TOLERANCES (UNLESS SPECIFIED)		DIMENSION STYLE MM ONLY	SCALE	DESIGN UNITS METRIC	FIRST ANGLE PROJECTION	
		mm	INCH	DRAWN BY VUTTARKAR	DATE	TITLE		
		4 PLACES	± --- ± ---			32POS. MALE CONNECTOR ACC. DIN 41612 STYLE B/2 DIMENSIONS		
		3 PLACES	± --- ± ---	CHECKED BY KRASAD	DATE		MOLEX INCORPORATED	
		2 PLACES	± --- ± ---	APPROVED BY	DATE			
		1 PLACE	± --- ± ---					
		ANGULAR ± --- °		MATERIAL NO. ---	DOCUMENT NO. SDA-85001-0002		SHEET NO. 1 OF 01	
DRAFT WHERE APPLICABLE MUST REMAIN WITHIN DIMENSIONS		SIZE A3	THIS DRAWING CONTAINS INFORMATION THAT IS PROPRIETARY TO MOLEX INCORPORATED AND SHOULD NOT BE USED WITHOUT WRITTEN PERMISSION					

