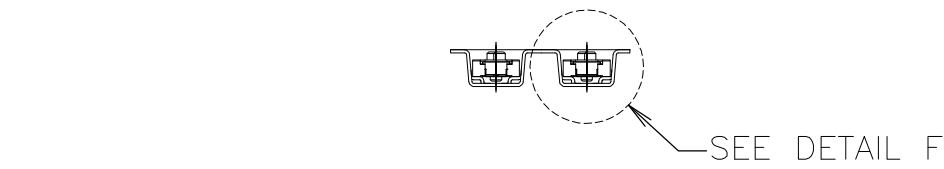
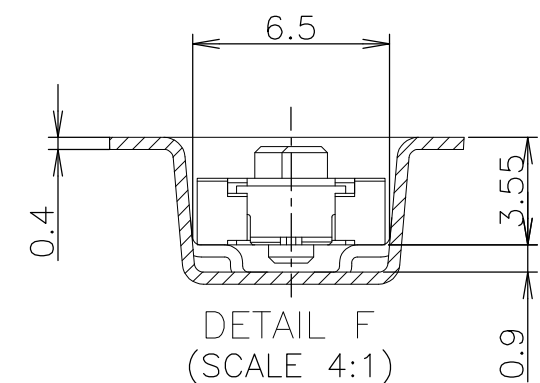
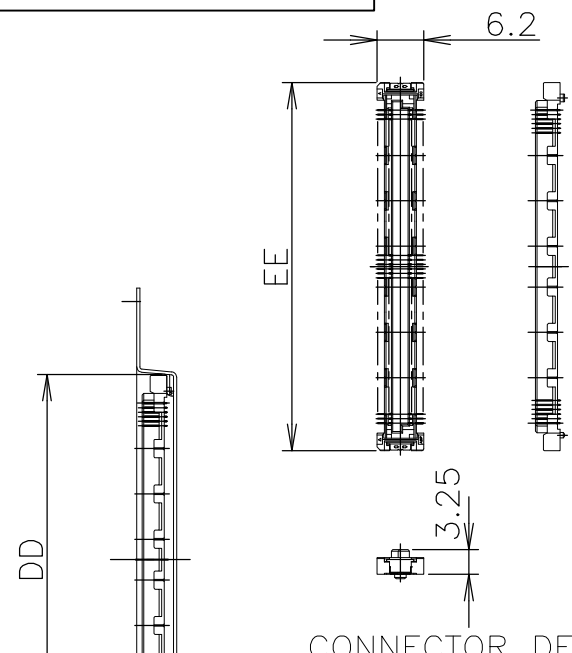
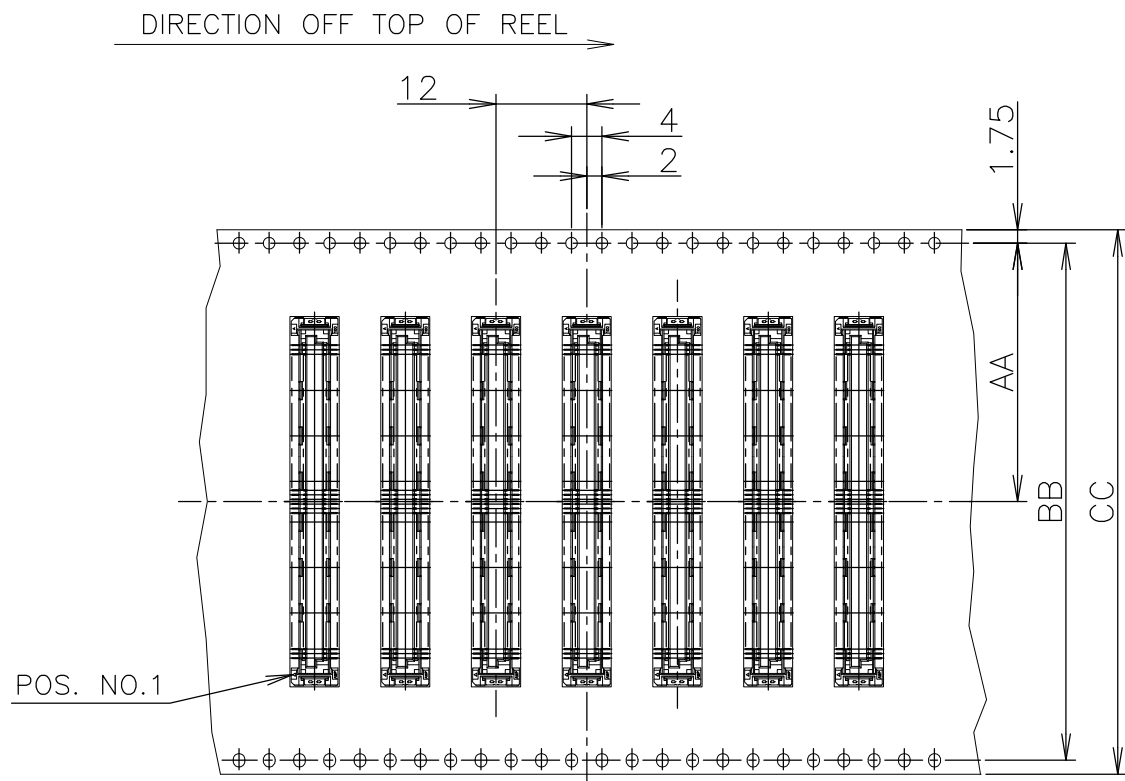
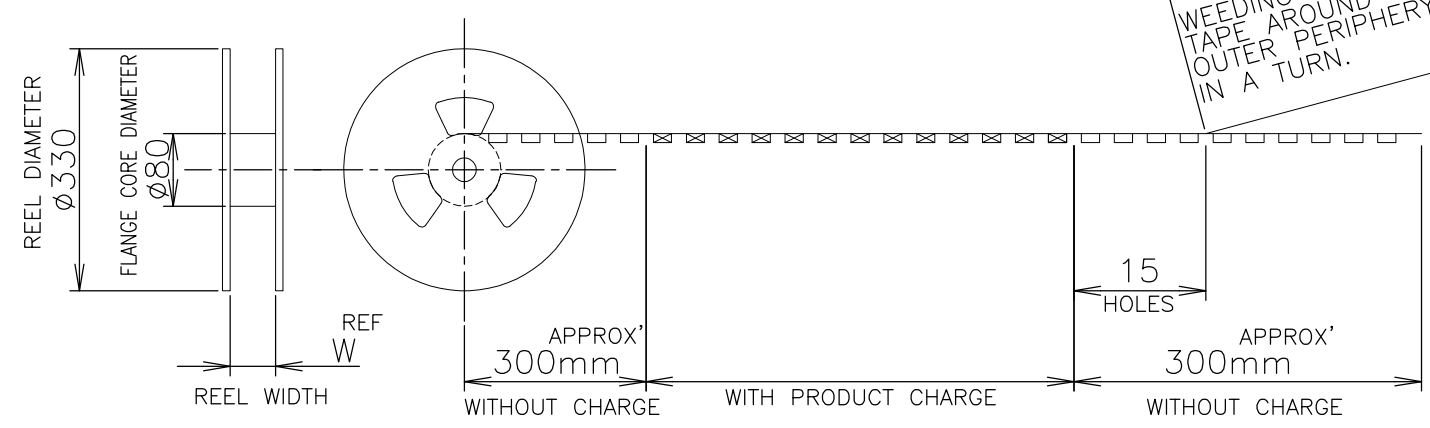


| P | LTR | DESCRIPTION | DATE | DWN | APVD |
|----|-----|---------------------------|-----------|------|------|
| E | | REVISED PER ECO-16-002717 | 5FEB2016 | B.J. | S.Y. |
| E1 | | REVISED PER ECO-16-010364 | 18JUL2016 | B.J. | S.Y. |



WEEDING THE COVER TAPE AROUND THE OUTER PERIPHERY IN A TURN.



| SEALANT | STATUS | QTY. | FINISH | W | EE | DD | CC | BB | AA | POS. | PART NO. |
|---------------|--------|------|--------|------|------|----|----|------|------|------|-------------|
| NOT AVAILABLE | | 1000 | △ | 77.5 | 54.7 | 55 | 72 | 68.4 | 34.2 | 160 | 6-5353190-1 |
| AVAILABLE | | | | 77.5 | 48.7 | 49 | 72 | 68.4 | 34.2 | 140 | 6- -0 |
| NOT AVAILABLE | | | | 61.5 | 42.7 | 43 | 56 | 52.4 | 26.2 | 120 | 5- -9 |
| AVAILABLE | | | | 61.5 | 36.7 | 37 | 56 | 52.4 | 26.2 | 100 | 5- -8 |
| NOT AVAILABLE | | | | 61.5 | 33.7 | 34 | 56 | 52.4 | 26.2 | 90 | 5- -7 |
| NOT AVAILABLE | | | | 49.5 | 30.7 | 31 | 44 | 40.4 | 20.2 | 80 | 5- -6 |
| NOT AVAILABLE | | | | 49.5 | 27.7 | 28 | 44 | 40.4 | 20.2 | 70 | 5- -5 |
| NOT AVAILABLE | | | | 49.5 | 24.7 | 25 | 44 | 40.4 | 20.2 | 60 | 5- -4 |
| NOT AVAILABLE | | | | 37.5 | 21.7 | 22 | 32 | 28.4 | 14.2 | 50 | 5- -3 |
| NOT AVAILABLE | | | | 37.5 | 18.7 | 19 | 32 | 28.4 | 14.2 | 40 | 5- -2 |
| NOT AVAILABLE | 1000 | | △ | 29.5 | 15.7 | 16 | 24 | 11.5 | 30 | | 5-5353190-1 |
| AVAILABLE | 1000 | | △ | 77.5 | 48.7 | 49 | 72 | 68.4 | 34.2 | 140 | 4-5353190-0 |
| AVAILABLE | | | △ | 61.5 | 36.7 | 37 | 56 | 52.4 | 26.2 | 100 | 3- -8 |
| NOT AVAILABLE | | | △ | 77.5 | 54.7 | 55 | 72 | 68.4 | 34.2 | 160 | 1- -1 |
| AVAILABLE | | | | 77.5 | 48.7 | 49 | 72 | 68.4 | 34.2 | 140 | 1- -0 |
| NOT AVAILABLE | | | | 61.5 | 42.7 | 43 | 56 | 52.4 | 26.2 | 120 | -9 |
| AVAILABLE | | | | 61.5 | 36.7 | 37 | 56 | 52.4 | 26.2 | 100 | -8 |
| NOT AVAILABLE | | | | 61.5 | 33.7 | 34 | 56 | 52.4 | 26.2 | 90 | -7 |
| NOT AVAILABLE | | | | 49.5 | 30.7 | 31 | 44 | 40.4 | 20.2 | 80 | -6 |
| | | | | 49.5 | 27.7 | 28 | 44 | 40.4 | 20.2 | 70 | -5 |
| | | | | 49.5 | 24.7 | 25 | 44 | 40.4 | 20.2 | 60 | -4 |
| NOT AVAILABLE | | | | 37.5 | 21.7 | 22 | 32 | 28.4 | 14.2 | 50 | -3 |
| | | | | 37.5 | 18.7 | 19 | 32 | 28.4 | 14.2 | 40 | -2 |
| NOT AVAILABLE | 1000 | | △ | 29.5 | 15.7 | 16 | 24 | 11.5 | 30 | | 5353190-1 |

THIS DRAWING IS A CONTROLLED DOCUMENT.

DWN LEO ZHOU 16NOV04
 CHK STEVEN YAO 16NOV04
 APVD I.ENOMOTO 16NOV04

STE TE Connectivity

EMBOSS ASSY
 FH 0.6BTB CONNECTOR
 REC 4H WITH G-CONTACT

PRODUCT SPEC 108-60047
 APPLICATION SPEC 114-5255

NAME 名称
 SIZE A3 CAGE CODE 00779 DRAWING NO. 5353190 RESTRICTED TO 番号

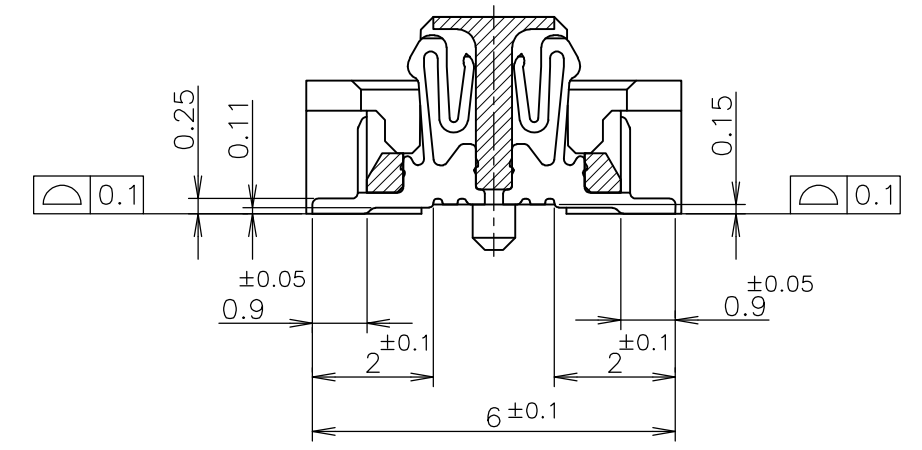
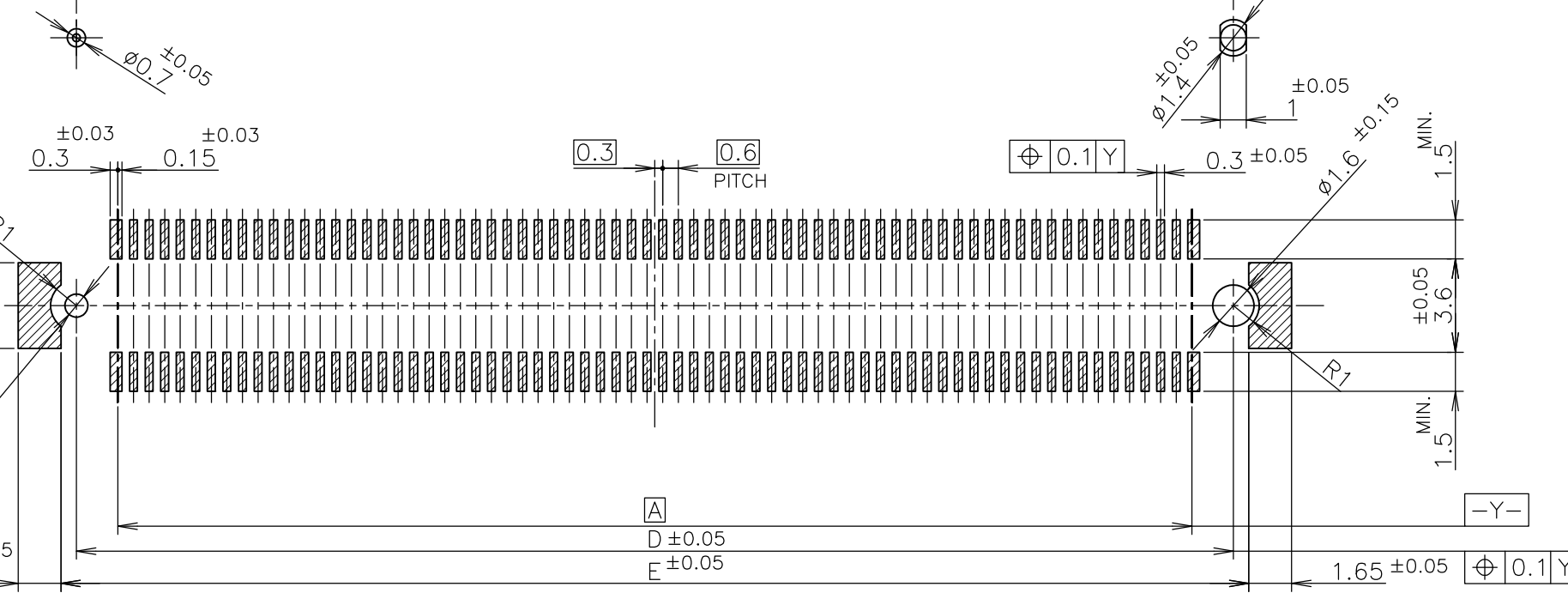
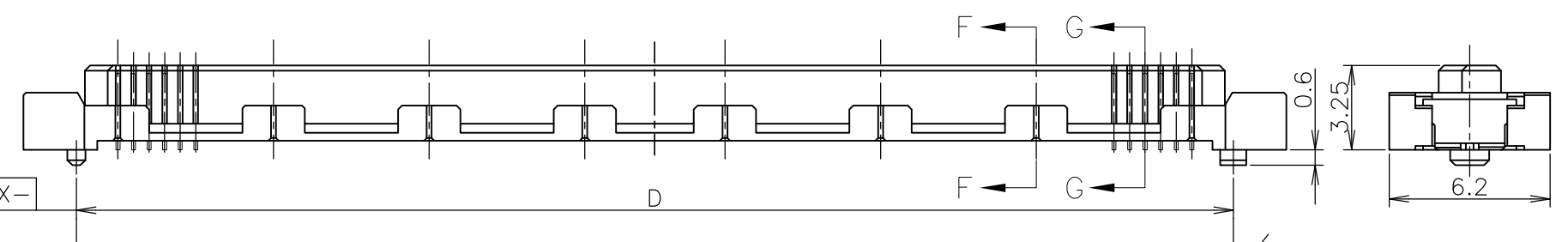
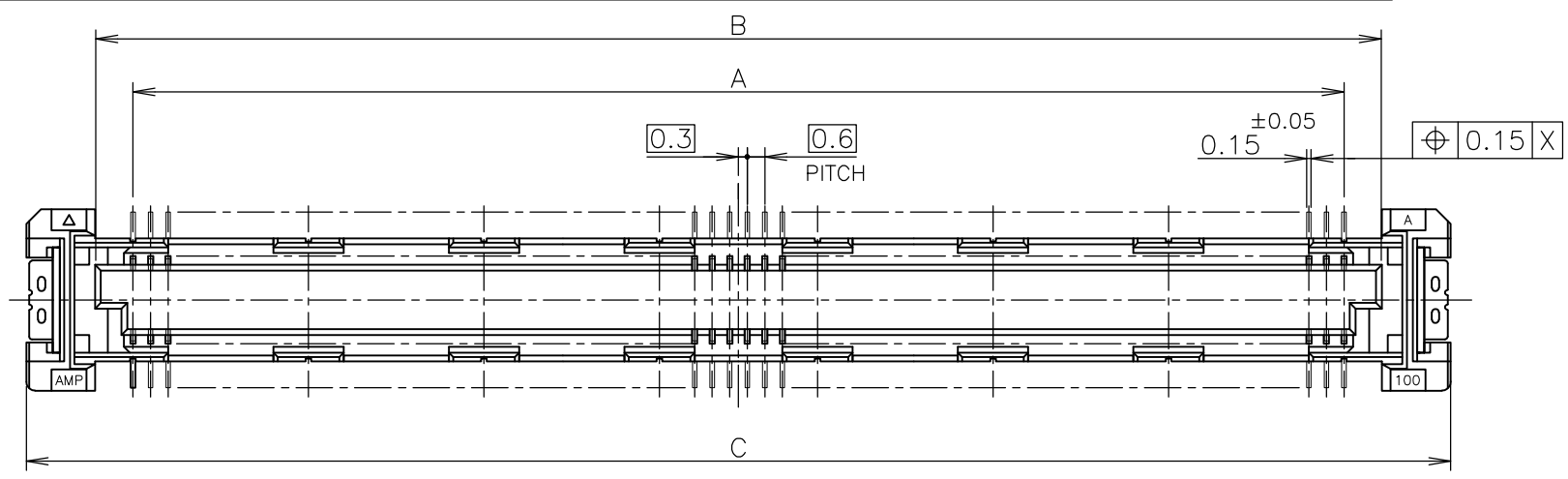
MATERIAL 材料 1
 FINISH 仕上 2 6

WEIGHT
 CUSTOMER DRAWING

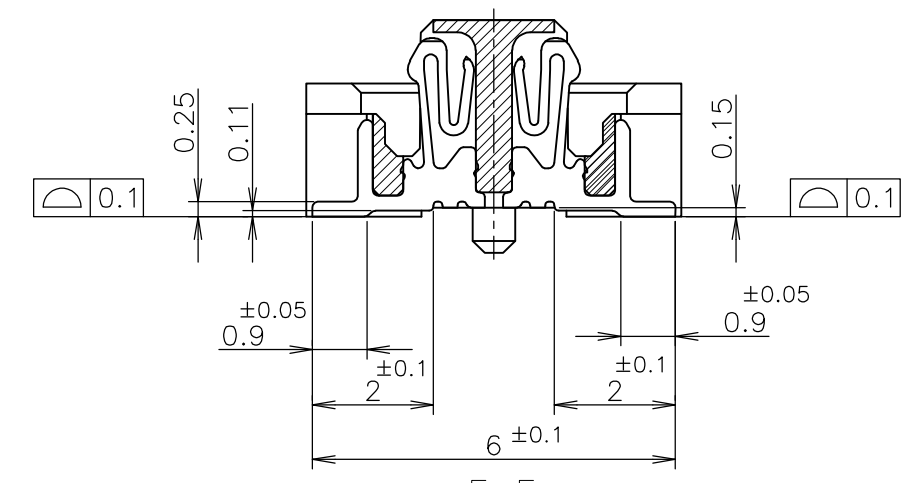
SCALE 1:1 SHEET 1 OF 3 REV E1

THIS DRAWING IS UNPUBLISHED. RELEASED FOR PUBLICATION JUN , 1996.
 © COPYRIGHT 1996 By - ALL RIGHTS RESERVED.

| REVISIONS 変更 | | | | | |
|-----------------|-----|-------------|------|-----|------|
| P | LTR | DESCRIPTION | DATE | DWN | APVD |
| - | - | SEE SHEET 1 | - | - | - |



G-G
(SIGNAL POSITION)
(SCALE 8:1)



F-F
(GROUND POSITION)
(SCALE 8:1)

| | | | | | | |
|------|------|------|----|------|-----|-------------------------|
| 45.8 | 44.6 | 48.7 | 44 | 41.4 | 140 | 4-5353190-0 |
| 33.8 | 32.6 | 36.7 | 32 | 29.4 | 100 | 3- ↑ -8 |
| 51.8 | 50.6 | 54.7 | 50 | 47.4 | 160 | 1- -1 & 6-5353190-1 |
| 45.8 | 44.6 | 48.7 | 44 | 41.4 | 140 | 1- -0 & 6- ↑ -0 |
| 39.8 | 38.6 | 42.7 | 38 | 35.4 | 120 | -9 & 5- -9 |
| 33.8 | 32.6 | 36.7 | 32 | 29.4 | 100 | -8 & 5- -8 |
| 30.8 | 29.6 | 33.7 | 29 | 26.4 | 90 | -7 & 5- -7 |
| 27.8 | 26.6 | 30.7 | 26 | 23.4 | 80 | -6 & 5- -6 |
| 24.8 | 23.6 | 27.7 | 23 | 20.4 | 70 | -5 & 5- -5 |
| 21.8 | 20.6 | 24.7 | 20 | 17.4 | 60 | -4 & 5- -4 |
| 18.8 | 17.6 | 21.7 | 17 | 14.4 | 50 | -3 & 5- -3 |
| 15.8 | 14.6 | 18.7 | 14 | 11.4 | 40 | -2 & 5- -2 |
| 12.8 | 11.6 | 15.7 | 11 | 8.4 | 30 | 5353190-1 & 5-5353190-1 |
| E | D | C | B | A | POS | △ PART NO. |

REFERENCE P.C.BOARD LAYOUT

| | | | | | | |
|--|--|------------------|--|-----------------|------------------|---------------|
| THIS DRAWING IS A CONTROLLED DOCUMENT. | | DWN | TE Connectivity EMBOSS ASSY FH 0.6BTB CONNECTOR REC 4H WITH G-CONTACT | | | |
| DIMENSIONS: 単位: 耗 mm | | CHK | | | | |
| TOLERANCES UNLESS OTHERWISE SPECIFIED: 一般公差 | | APVD | | | | |
| 0 PLC ± 0.3 1 PLC ± 0.3 2 PLC ± 0.3 3 PLC ± 0.3 4 PLC ± 0.3 ANGLES ± 3° | | NAME 名称 | | | | |
| MATERIAL 材料 | | WEIGHT | SIZE | CAGE CODE | DRAWING NO 番号 | RESTRICTED TO |
| FINISH 仕上 | | CUSTOMER DRAWING | | A300779 | G-5353190 | - |
| | | | SCALE 尺度 4:1 | SHEET 2 OF 3 | REV E1 | |

THIS DRAWING IS UNPUBLISHED.

RELEASED FOR PUBLICATION JUN , 1996.

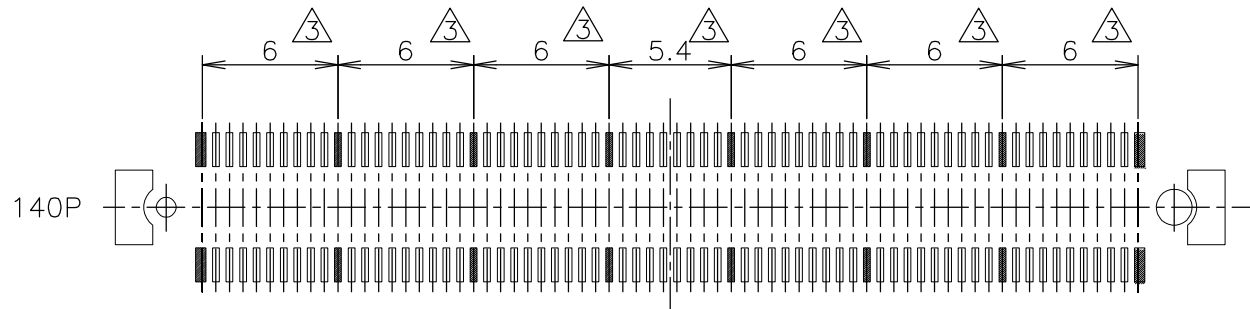
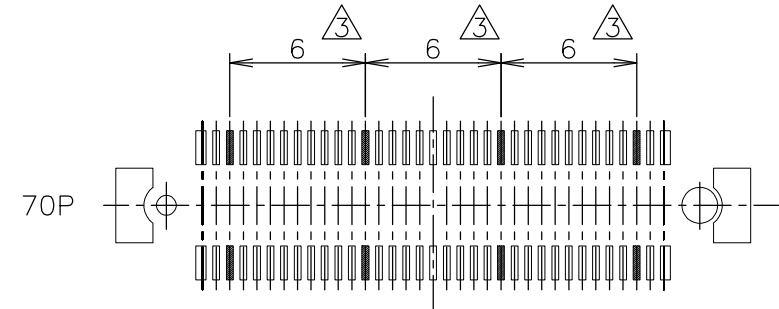
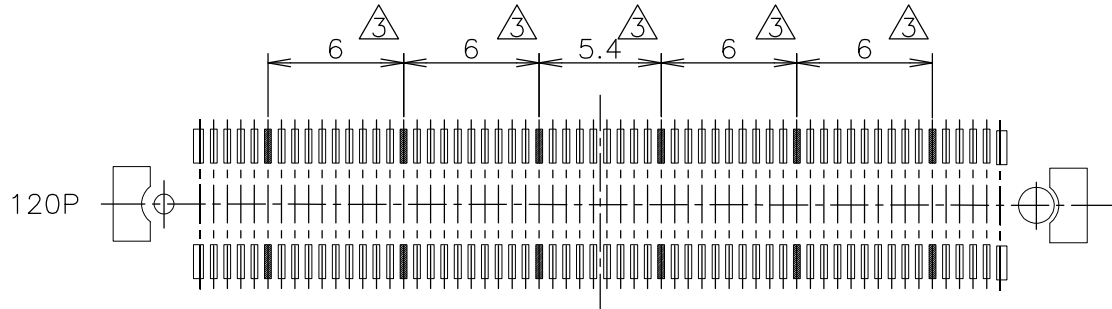
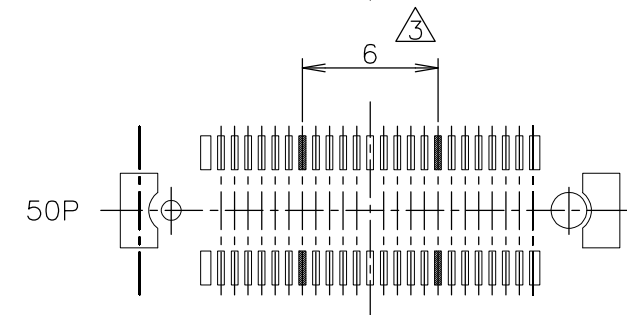
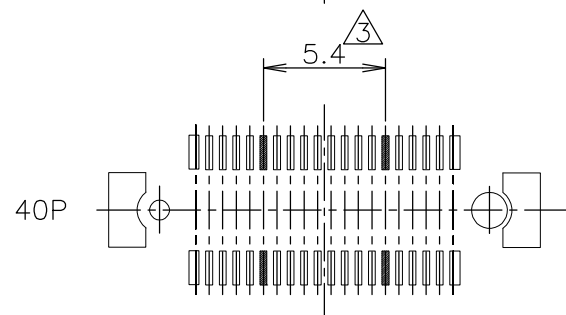
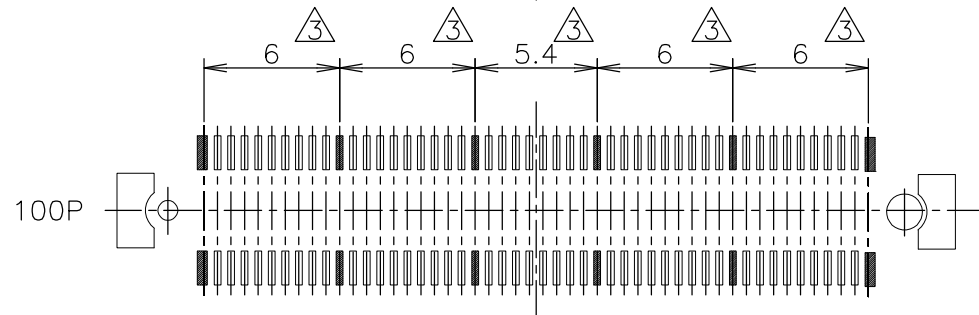
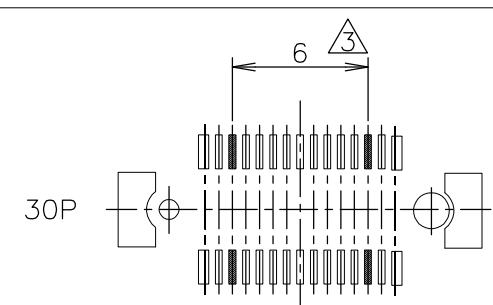
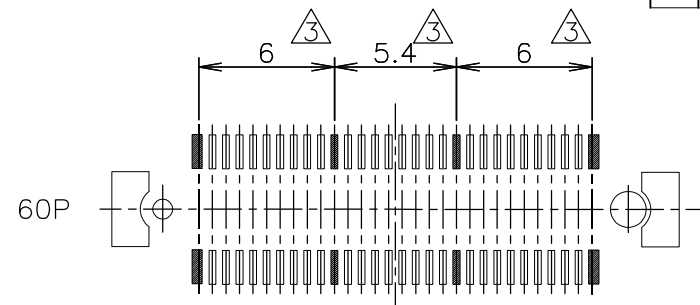
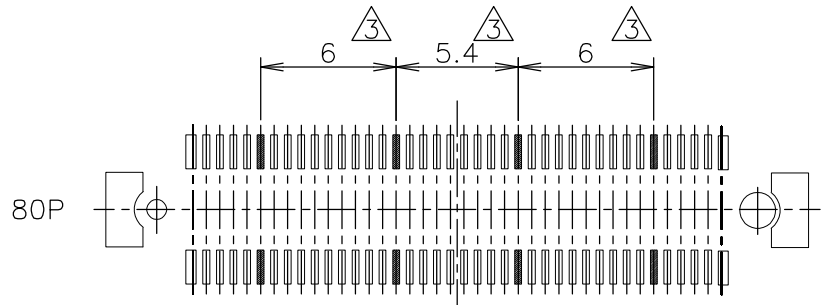
© COPYRIGHT 1996 By -

ALL RIGHTS RESERVED.

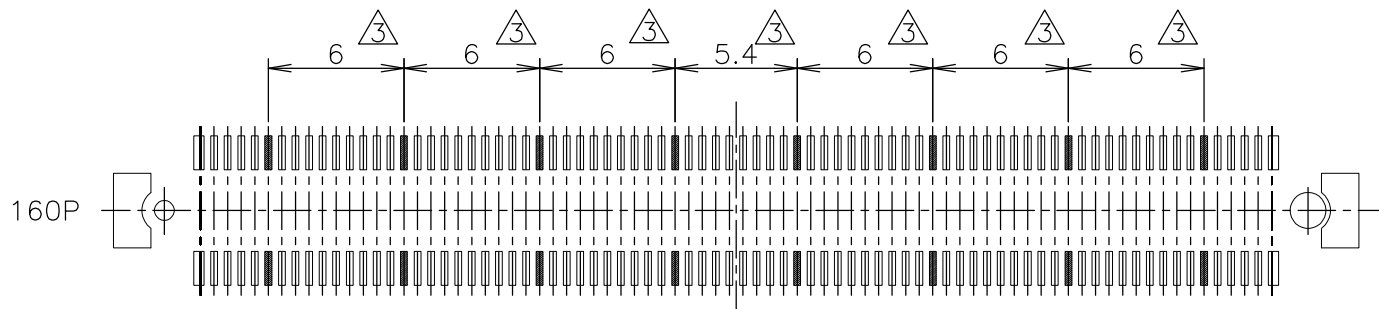
REVISIONS


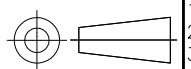
変更

| P | LTR | DESCRIPTION | DATE | DWN | APVD |
|---|-----|-------------|------|-----|------|
| - | - | SEE SHEET 1 | - | - | - |



- ① MATERIAL : HOUSING : HIGH TEMP THERMO PLASTIC, UL94V-0
CONTACT : COPPER ALLOY
- ② FINISH : UNDER PL Ni 0.0013mm MIN ALL OVER.
CONTACT AREA 0.0002mm MIN Au PL.
SOLDERING AREA: SIGNAL POS 0.00005mm MIN Au PL.
GROUND POS 0.001mm MIN TIN PL.
- ③ THIS POSITION IS GROUND CIRCUIT.
- ④ PACKING ASSY DWG SEE SHEET 1.
- ⑤ THIS PRODUCT WAS COATED BY FLUX-PENETRATION
-INHIDTING AGENT.
- ⑥ FINISH : UNDER PL Ni 0.0013mm MIN ALL OVER.
CONTACT AREA 0.00076mm MIN Au PL.
SOLDERING AREA: SIGNAL POS 0.00005mm MIN Au PL.
GROUND POS 0.001mm MIN TIN PL.



| | | | | | |
|---|--|----------------------------|---|-----------------|------------------|
| THIS DRAWING IS A CONTROLLED DOCUMENT. | | DWN |  TE Connectivity | | |
| | | CHK | | | |
| DIMENSIONS: 単位: 耗 mm | TOLERANCES UNLESS OTHERWISE SPECIFIED: 一般公差 | APVD | NAME 名称 | | |
|  | 0 PLC ± 0.3 1 PLC ± 0.3 2 PLC ± 0.3 3 PLC ± 0.3 4 PLC ± 0.3 ANGLES ± 3' | PRODUCT SPEC 製品規格 | EMBOSS ASSY FH 0.6BTB CONNECTOR REC 4H WITH G-CONTACT | | |
| MATERIAL 材料 | FINISH 仕上 | APPLICATION SPEC 取付適用規格 | SIZE | CAGE CODE | DRAWING NO 番号 |
| | | WEIGHT | A3 | 00779 | G-5353190 |
| CUSTOMER DRAWING | | | RESTRICTED TO | SCALE 尺度 3:1 | SHEET 3 of 3 |
| | | | | REV E1 | |