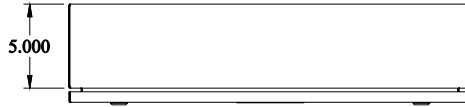


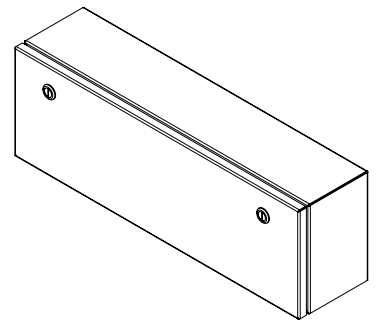


PART No. CN4ST2203

for more information visit
www.hammfg.com
Data subject to change without notice
Isometric drawing Not to Scale



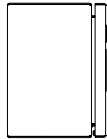
TOP VIEW



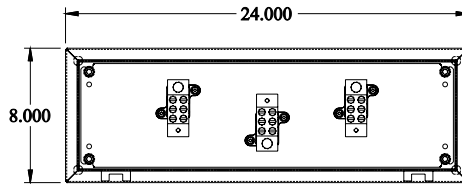
ISOMETRIC VIEW



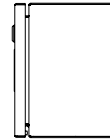
BACK VIEW



LEFT SIDE VIEW



FRONT VIEW - COVER REMOVED



RIGHT SIDE VIEW



BOTTOM VIEW