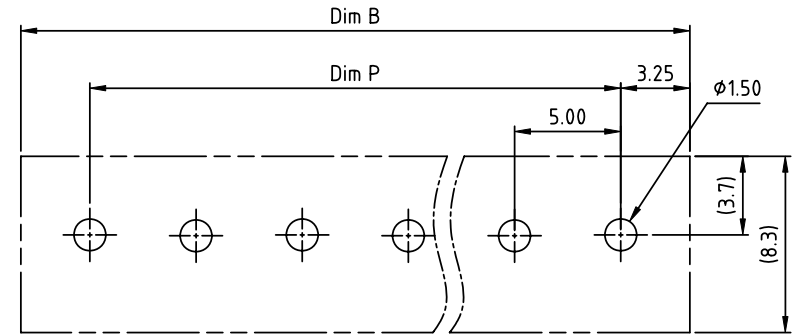
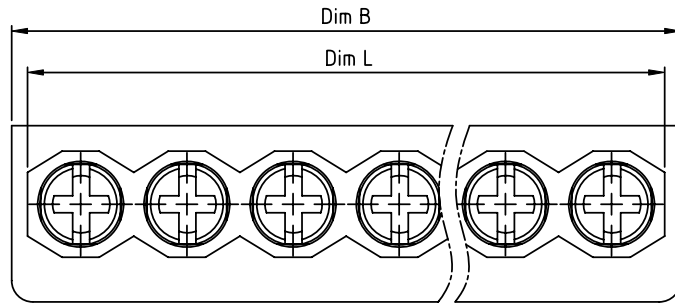
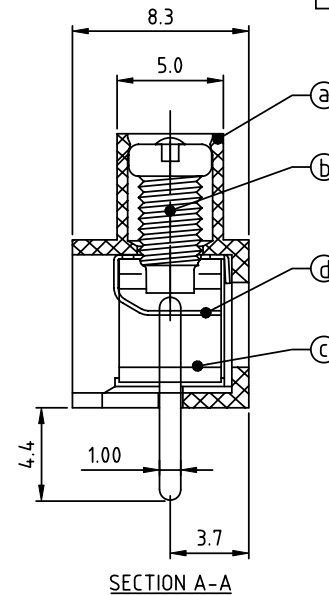
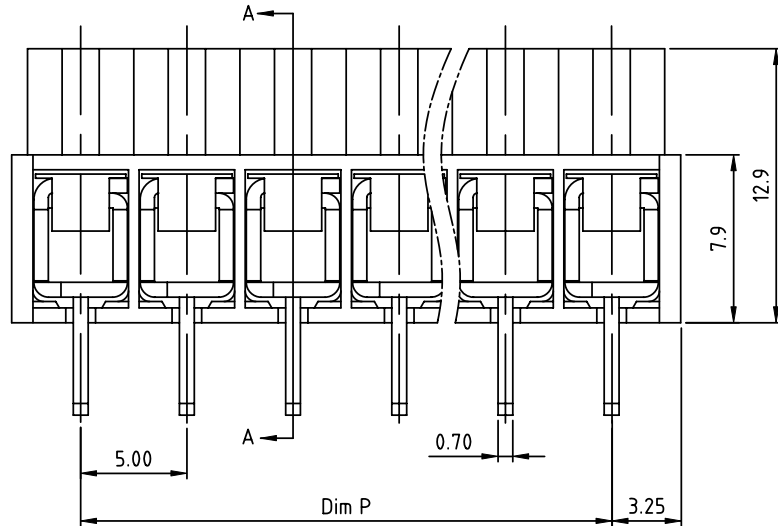


| | |
|----------------|---------|
| PRODUCT NUMBER | PITCH |
| T4xx04x200J0G | 5.00 mm |



RECOMMENDED P.C.B LAYOUT
TOP VIEW



Material:

- Item (a) Terminal body (metal housing): Brass Stamping, Tin plated
- Item (b) Terminal screw: Steel Zinc plating "+/-" combination type
- Item (c) Terminal body Brass stamping clamp, Tin plated
- Item (d) Wire guard: Stainless steel

Electrical cULus/VDE

- Voltage rating: 300VAC/450VAC
- Current rating: 10A/17.5A
- Wire range: 0.75-4.0mm²
- Solid wire (AWG): 12-20
- Stranded wire (AWG): 12-20
- Torque: 3.5Lb-In/0.4Nm
- Screw: M3
- Wire strip length: 6-7mm
- Withstanding Voltage: 1.6KV/2.5KV
- Operating temperature: -40°C to +115°C
- Soldering temperature: 260°C ± 5°C / 5 Sec
- Safety Approval:

PART NO.: T4 xx 04 x 2 00J0 G

N = Number of poles
Dim L = N x 5.0
Dim P = (N - 1) x 5.0
Dim B = N x 5.0 + 1.5

| poles | Tolerance |
|--------|-----------|
| 2-6p | ±0.20 |
| 7-12p | ±0.25 |
| 13-18p | ±0.30 |
| 19-24p | ±0.40 |

| Solid block | No. of poles | Body Color | RoHS compliant (lead < 4%) In copper Alloy |
|-------------|--------------|----------------------|---|
| 02 | 2 poles | 2 Red (RAL3001/D) | |
| 03 | 3 poles | 3 Orange (RAL2011/P) | |
| ... | ... | 4 Yellow (RAL1018/A) | |
| 24 | 24 poles | 5 Green (RAL6018/T) | |
| | | 6 Blue (RAL5015/A) | |
| | | 8 Grey (RAL7035/D) | |
| | | 9 White (RAL1102) | |
| | | C Green (RAL6018/U) | |

| | | | | | |
|-------------|----------------|-----------------------|-------------------------|---------------------------------------|--|
| mat'l. code | | surface ASME Y14.5 | tolerance ASME Y14.5 | projection | product family TERMINAL BLOCK |
| ltr | ecn no | dr | date | tolerances unless otherwise specified | title TERMINAL BLOCK |
| | | | | angles | WIRE PROTECTOR, 180D WIRE INLET, SOLID BLOCK |
| | | | | X ± 1° | scale |
| | | | | dr EVIN ZHONG 040114 | dwg no |
| | | | | enr EVIN ZHONG 040114 | sheet 1 of 1 |
| | | | | chr HANKE FENG 040114 | size |
| | | | | appd SHI JUN 040114 | T4xx04x200J0G |
| | | | | | A4 |
| | | | | | type |
| | | | | | CUSTOMER Drawing |
| sheet index | revision sheet | A | 1 | | |