

# 1506

## Isolated Variable AC Line Supply Instruction Manual



## TABLE OF CONTENTS

SECTION	DESCRIPTION	PAGE NO.
1	INTRODUCTION	1
2	SPECIFICATIONS	2
3	DESCRIPTION	3
4	OPERATING INSTRUCTIONS	5
5	SERVICE & WARRANTY INFORMATION	6
6	CALIBRATION PROCEDURE	9
7	PART LIST & SCHEMATICS	11
8	CIRCUIT DIAGRAM	15

**SECTION - 1  
INTRODUCTION**

**ISOLATED VARIABLE AC LINE SUPPLY : MODEL1506**

The 1506 Isolated Variable AC Source cum leakage current tester is designed for modern electronics laboratories needing a clean, electrostatically and galvanically isolated variable line supply.

The unit is designed to provide isolated output variable from 0 to 130 V AC at 4 Amps max and 0 to 260VAC at 2A max on two separate output sockets through a range selector switch. The output voltage and load current can be monitored on a 3 digit DPM. The variable isolated output voltage capability makes this unit very convenient to use for either incoming or outgoing quality control testing. It is also useful for servicing or circuit design work, when checking operation at voltage higher or lower than normal. The unit consists of a super isolation transformer which is triple shielded from the line to protect against shock hazards.

The 1506 can measure power line leakage current by means of a probe and a switch selected range of the output DPM. It can measure leakage currents upto 9.99 mA. The unit is overload protected by means of an input /output fuse.

**INITIAL INSPECTION**

Before shipping, the 1506 power supply has been tested thoroughly and found free of mechanical and electrical defects. As soon as it is unpacked, inspect for any damage that may have occurred during transit. Particular attention should be paid to the meters. Also check the packing material for any signs of severe stress (may be indicative of internal damage). Save all the packing material. Read the INSTRUCTION MANUAL carefully prior to operation.

PCB Components		FRONT PANEL
Reference	Designator	Part Description
<b><u>OUTPUT SOCKETS</u></b>		
	SOCKET 1	European ( 230VAC )
	SOCKET 2	American ( 115VAC )
	SOCKET 3	SLBR4 ( Leakage Red )
<b><u>SWITCHES</u></b>		
	SW1	ON/OFF SPDT 1801 10A/230V
	SW2	DPDT Toggle 6A/250V
<b><u>FUSE</u></b>		
	F1	6Amp / 250V S/B
	F2	4AMP / 250V S/B
<b><u>FUSE HOLDERS</u></b>		
	FH1	10Amp / 250V R3-11
	FH2	10AMP / 250V R3-11

PCB Components		CHASSIS
Reference	Designator	Part Description
<b><u>TRANSFORMERS</u></b>		
	T1	1506 Isolation
	T2	1506 Current
	T3	1506 DPM
	T4	1506 0-120V/4Amp Variable
	T5	1506 Voltage Sense

Reference Designator	Part Description
<b><u>CAPACITORS</u></b>	
C1	220pf 100V ±20% CD
C2	0.1µf 100V ±10% MP
C3	0.01µf 100V ±20% CD
C4	0.47µf, 100V ±20% CD
C5	0.1µf, 50V ±10% MP
C6	10µf, 35V ±20% EL
C7	0.1µf, 50V ±10% MP
C8	0.1µf, 50V ±20% CD
C9	Not used
C10	470µf, 35V ±20% EL
C11	2.2µf, 50V ±20% EL
* C12	47µf 50V, ±20% EL ( Additional )
* C13	0.1µf 50V, ±20% CD ( Additional )
<b><u>DIODES</u></b>	
D1	1N4148
D2	1N4148
D3 TO D6	1N4007
<b><u>TRANSISTORS/FET'S</u></b>	
Q1	TL431
Q2	MPSA12
Q3	LM7805
<b><u>IC</u></b>	
IC1	ICL 7107 CPL
<b><u>FND'S</u></b>	
DS1	TSD566 ( Green )
DS2	TSD566 ( Green )
DS3	TSD566 ( Green )
<b><u>LED'S</u></b>	
LED1	3mm GREEN Defused
LED2	3mm GREEN Defused
<b><u>CONNECTORS</u></b>	
CON1	3 PIN 2.54 PITCH ( Male / Female )
CON2 ( L' Type )	7 PIN 2.54 PITCH ( Male / Female )

INPUT VOLTAGE	: 230V AC
INPUT FREQUENCY	: 47 to 63 Hz.
OUTPUT	: I : 0 to 130 VAC at 4AMP Max. ( Available on American socket only. )  II : 0 to 260 VAC at 2AMP Max. ( Available on European socket only. )
METERING	: 3 digit DPM to read  1) Output Voltage.  2) Load Current and  3) Leakage current upto 9.99 mA.
METER ACCURACY	: ± 3 counts.
OUTPUT-LINE ISOLATION	: Capacitive coupling less than 0.0005 pF.
NOISE REJECTION	: Better than 120 db ( common mode noise ).
DIMENSIONS (W x H x D )	: 11.73" x 5.23" x 10.62"
WEIGHT	: 35 lb. approx.

**SECTION - 3  
DESCRIPTION**

**INPUT AND OUTPUT TERMINATION :**

The unit works from 230VAC, 47-63 Hz single phase supply with internal tap selection facility for 115V AC operation. The input is provided through a mains cable with a plug. The use of a three core cable enables the cabinet of the unit to be properly grounded.

The unit as shipped from factory is wired for **230V /50Hz** single phase supply

Output is provided on two separate sockets through a output voltage range selector switch. In one position, it provides 0 -130 VAC at 4 Amps max whereas in other position, it provides 0-260VAC at 2Amp.max.

**METERING :**

One 3-digit DPM is provided to measure

- 1) Output voltage
  - 2) Leakage current
  - 3) Load current
- Meter function is switch selectable

**ON-OFF SWITCH AND FUSE :**

The power ON-OFF switch is located on the front panel. The fuses (Input & Output) are also located on the front panel. The fuse ratings are clearly marked.

**PANEL CONTROLS :**

A voltage adjust knob allows adjustment of output AC voltage and the output voltage selector switch selects the output A C voltage range so as to provide 0 -130VAC isolated output only on American socket while 0 - 260VAC isolated output only on European socket. Three meter function push switches are provided to select the Leakage Current or Output Voltage or Output Current (mA,V & A respectively.) to be displayed on the meter.

<b>PCB Components</b>		<b>GLOBAL 1505 / 06 SW - 0396</b>
<b>Reference</b>	<b>Designator</b>	<b>Part Description</b>
<b><u>IC'S</u></b>		
	IC1	7660 S
	IC2	KA 741/ LM 741
<b><u>PUSHSWITCHES</u></b>		
	SW1 TO SW3	4 Pole, 2 Way ( Interlock )
<b><u>RELAY</u></b>		
	RL1	2/P 2CO 6V/6A ( OEN 58-06-2C )
<b><u>CONNECTORS</u></b>		
	CON1	5 PIN 2.54 PITCH ( MALE / FEMALE )
	CON2	7 PIN 2.54 PITCH ( MALE / FEMALE )
<b>PCB Components</b>		<b>0893 DPM</b>
<b>Reference</b>	<b>Designator</b>	<b>Part Description</b>
<b><u>RESISTORS</u></b>		
	R1	39K, ¼W, ±5%, MFR
	R2	470K, ¼W, ±5%, MFR
	R3	1ME, ¼W, ±5%, MFR
	R4	SEL , ¼W, ±5%, MFR
	R5	2.4K, ¼W, ±5%, MFR
	R6	2.7K, ¼W, ±5%, MFR
	R7	30K, ¼W, ±5%, MFR
	R8	8.2K, ¼W, ±5%, MFR
	R9	100E, ¼W, ±5%, MFR
	R10	12K, ¼W, ±5%, MFR
	R11	20K, ¼W, ±5%, MFR
	R12	100E, ¼W, ±5%, MFR
	R13	330E, ¼W, ±5%, MFR
	R14	Not in Use
<b><u>PRESETS</u></b>		
	PR1	2.2K Horizontal

## SECTION - 7 PART LIST

PCB Components                      GLOBAL 1505 / 06 SW - 0396

Reference Designator	Part Description
<b><u>RESISTORS</u></b>	
R1	1.5K, ¼W ±5% MFR
R2	120E, ¼W ±5% MFR
R3	10K, ¼W ±5% MFR
R4	62K, ¼W ±5% MFR
R5	10 ohm, ¼W ±5% MFR
R6	220 ohm, ¼W ±5% MFR
R7	Not Used
R8	10K, ¼W ±5% MFR
R9	100K, ¼W ±5% MFR
R10	10M, ¼W ±5% MFR
R11	4.7K, ¼W ±5% MFR
R12	10K, ¼W ±5% MFR
R13	1.2M, ¼W ±5% MFR
R15	470K, ¼W ±5% MFR
<b><u>CAPACITORS</u></b>	
C1	1µf, 50V ±20%, ELEC
C2	1µf, 50V ±20%, ELEC
C3	220µf, 16V ±20%, ELEC
C4	220µf, 50V ±20%, ELEC
C5	0.1µf, 100V ±10%, MP
C6	0.22µf, 100V ±10%, MP
<b><u>PRESETS</u></b>	
PR1	100E Horizontal
PR2	100E Horizontal
PR3	100E Horizontal
PR4	10K Horizontal
<b><u>DIODES</u></b>	
CR1	1N4007
CR2	1N4148
CR1	1N4148

## CIRCUIT DESCRIPTION :

The circuit uses a step down transformer to provide step down supply to a single phase variable autotransformer to obtain an output voltage variable from 0 to 130VAC. This is followed by a triple shielded isolation transformer which provides an output voltage from 0-130VAC or 0-260VAC electrostatic and galvanic isolation.

Multiple shielding technique reduces primary to secondary static coupling to below 0.0005pF. The DC isolation is over 1000 M Ohms.

## SECTION - 4 OPERATING INSTRUCTIONS

### a) 1506 as Isolated Variable AC Supply.

Set output voltage to '0' volt by turning the 'Set Voltage' knob to minimum position. Press push button switch marked 'V'

Keep the output voltage selector switch to the desired range (0 -130V or 0 -260V). Isolated variable voltage will be available at the respective output socket only.

Switch "POWER"ON. Adjust the voltage control knob till the desired voltage is indicated on the 3-digit DPM.Connect the load at the output. Press push switch marked 'A'.The DPM will now read the load current. The total load current should not exceed the maximum rating indicated for each range.

### b) 1506 as Line Leakage Tester.

Set output voltage to '0' volt by turning the knob to minimum position. Press push switch marked 'V'. switch "POWER" ON. Adjust the voltage control till the desired voltage at which leakage current is to be measured is available at the output socket.

Now press push switch marked 'mA'. Connect unit under test (U. U. T) to output socket. Connect the leakage test probe at the socket marked 'Leakage Test'. Connect the other end of the leakage test probe to the chassis of the unit under test. Depending on the leakage,the DPM will read the leakage current.

## LEAKAGE CURRENT CALIBRATION

- 9) Set output voltage to zero volts by turning the Voltage knob to minimum position.
- 10) Press push switch marked ' V '
- 11) Switch on the power.Adjust output voltage to 130VAC.
- 12) Press push switch marked ' mA '. now DPM will read leakage current.
- 13) Connect 25 Kohm (aprox.1W) resistor across banana socket ,marked 'LEAKAGE TEST', & live point of output socket. Adjust preset PR1on switch pcb so that DPM reading is 5.00mA

## SECTION - 6

### CALIBRATION PROCEDURE FOR MODEL 1506

- 1) Keep the Voltage knob to minimum position(ccw). Press push switch marked ' V '
- 2) Switch on the power.
- 3) Set reference voltage of DPM(pin no. 36 of U1-7107) to 1.00Volt by adjusting the preset VR1 on DPM pcb.
- 4) Set voltage at pin no. 6 of IC3 (CA3160) to zero Volts with the help of preset PR4 on switch pcb.

### VOLTAGE CALIBRATION

- 5) Set desired output voltage by turning Voltage knob in clockwise direction.Connect external AC voltmeter at the output.
- 6) Adjust preset PR2 on switch pcb so that DPM reading matches with external AC Voltmeter.

### CURRENT CALIBRATION

- 7) Press push switch marked ' A ' . Connect load at the output with AC current meter in series with the load.The DPM will now read the load current.(The load current should not exceed 2 Amps/4Amps for Range A/B respectively.)
- 8) Adjust preset PR3 on switch pcb so that the DPM reading matches with external AC current meter

## SECTION - 5

### **SERVICE AND WARRANTY INFORMATION FACTORY SERVICE AND REPAIR**

Global Specialties will service and repair this instrument free of charge for a period of one full year, subject to the warranty conditions stated below.

To obtain a return merchandise authorisation (RMA) required for all returns, phone our Customer Service Department for a RMA and all shipping instructions :

### **GLOBAL SPECIALTIES**

22820 Savi Ranch Parkway,  
Yorba linda, CA 92887,  
WWW.globalspecialties.com  
800-572-1028

### **WARRANTY**

Global Specialties warrants this device to be free from defective material or workmanship for a period of one full year from the date of original purchase.

Global Specialties under this warranty is limited to repairing the defective device when returned to the factory, shipping charges prepaid, within one full year from the date of original purchase. Units returned to Global Specialties that have been subject to abuse, misuse damage or accident, or have been connected, installed or adjusted contrary to the instructions furnished by Global Specialties, or that have been repaired by unauthorized persons will not be covered by this warranty.

Global Specialties reserves the right to discontinue models, change specifications price or design of this device at any time without incurring any obligation whatsoever.



The purchaser agrees to assume all liabilities for any damages and/or bodily injury which may result from the use or misuse of this device by the purchaser, his employees or agents.

This warranty is in lieu of all other representations or warranties expressed or implied and no agent or representative of Global Specialties is authorized to assume any other obligation in connection with the sale and purchase of this device.

Specifications subject to change without notice.

➤ Copyright 1994, INTERPLEX ELECTRONICS, INC,  
Unit No.2, Highland Industrial Centre 1486, Highland Avenue,  
Cheshire CT 06410, U.S.A.

□ and TM trademarks are the property of INTERPLEX ELECTRONICS, INC, Unit No.2, Highland Industrial Centre 1486, Highland Avenue, Cheshire CT 06410, U.S.A.

## **CASE DISASSEMBLY AND ASSEMBLY**

### **WARNING**

Potentially lethal AC power is present whenever the line cord is plugged into the AC outlet, even when the power switch is OFF. Always disconnect the power cord when opening the case. Avoid touching the fuse post on the inside of the unit.

Should access to the inside of the unit be required, proceed as follows:

1. Remove the line cord from the AC outlet before disassembly.
2. To disassemble the case, remove the screws that secure the cover to the chassis and lift the cover off.
3. To reassemble the case, place the cover on the chassis, line up the screw holes, and replace the screws.

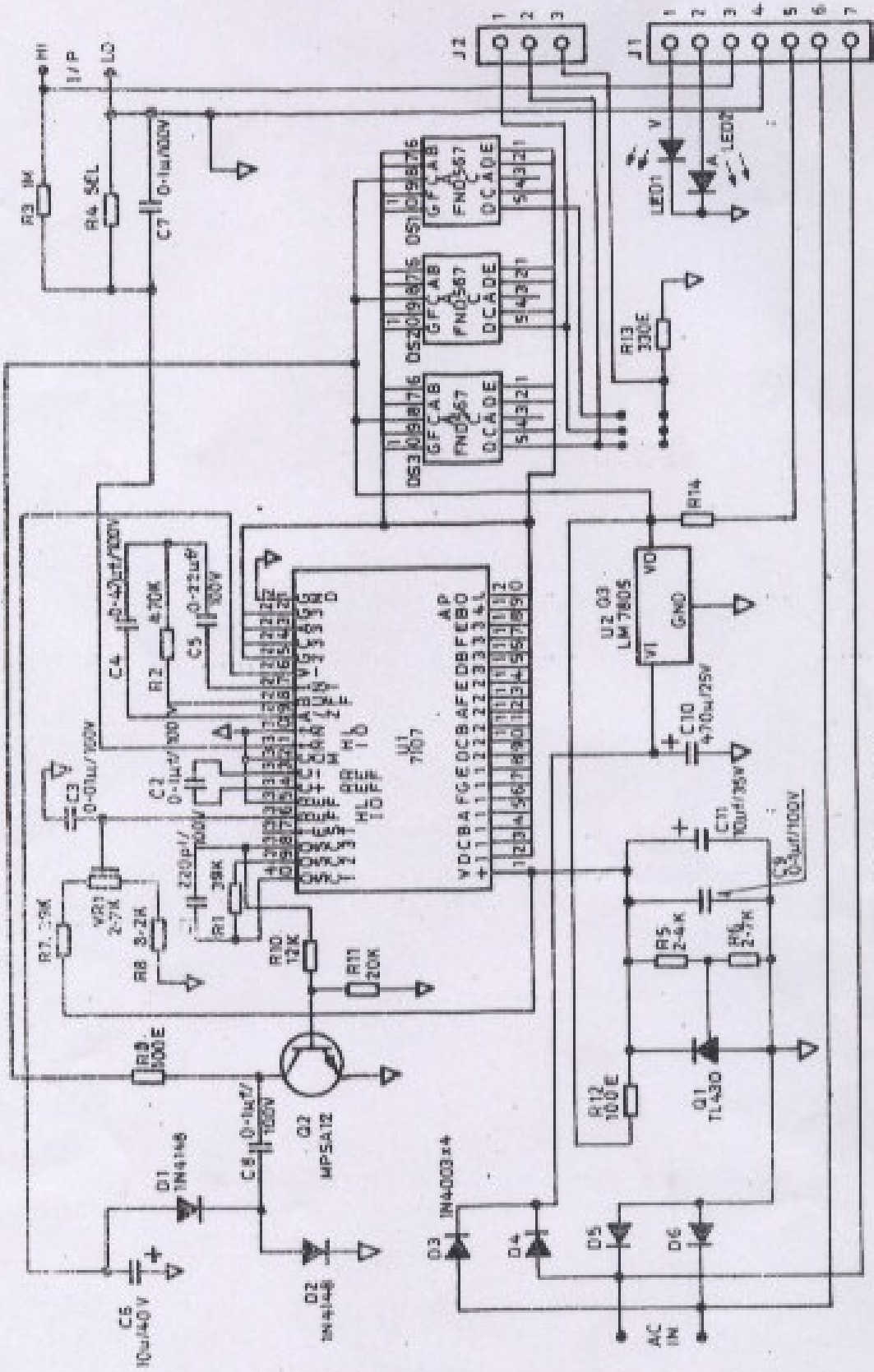
## **MAINTENANCE AND RECALIBRATION**

### **ADJUSTMENTS**

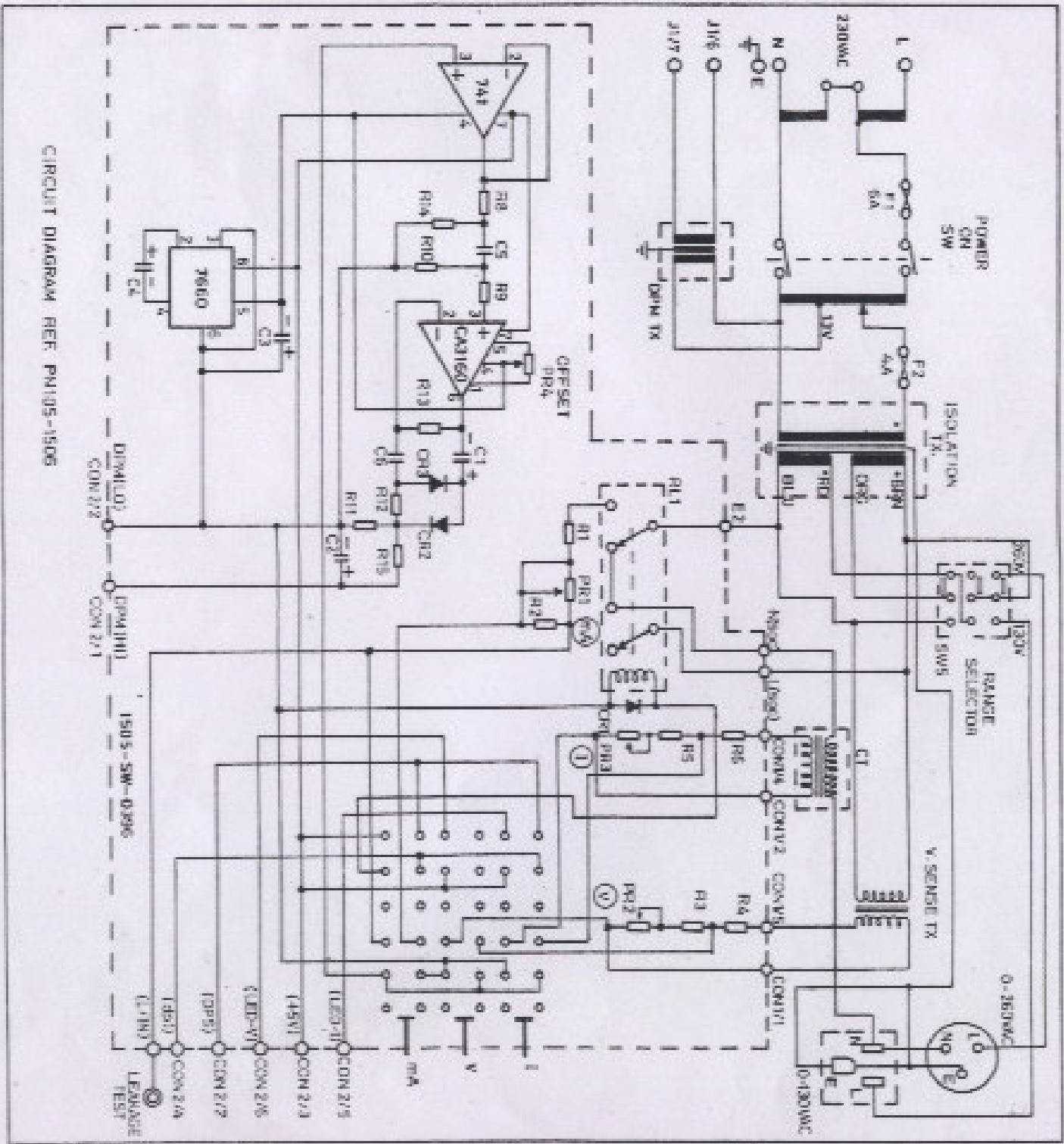
All circuitry is factory-calibrated. No user adjustments are required.

### **FUSE REPLACEMENT**

Remove the line cord from the AC outlet before changing fuses. Using a screwdriver, remove the fuse holder cap. Replace the fuse with another fuse of identical type and current rating. Replace the fuse holder cap.

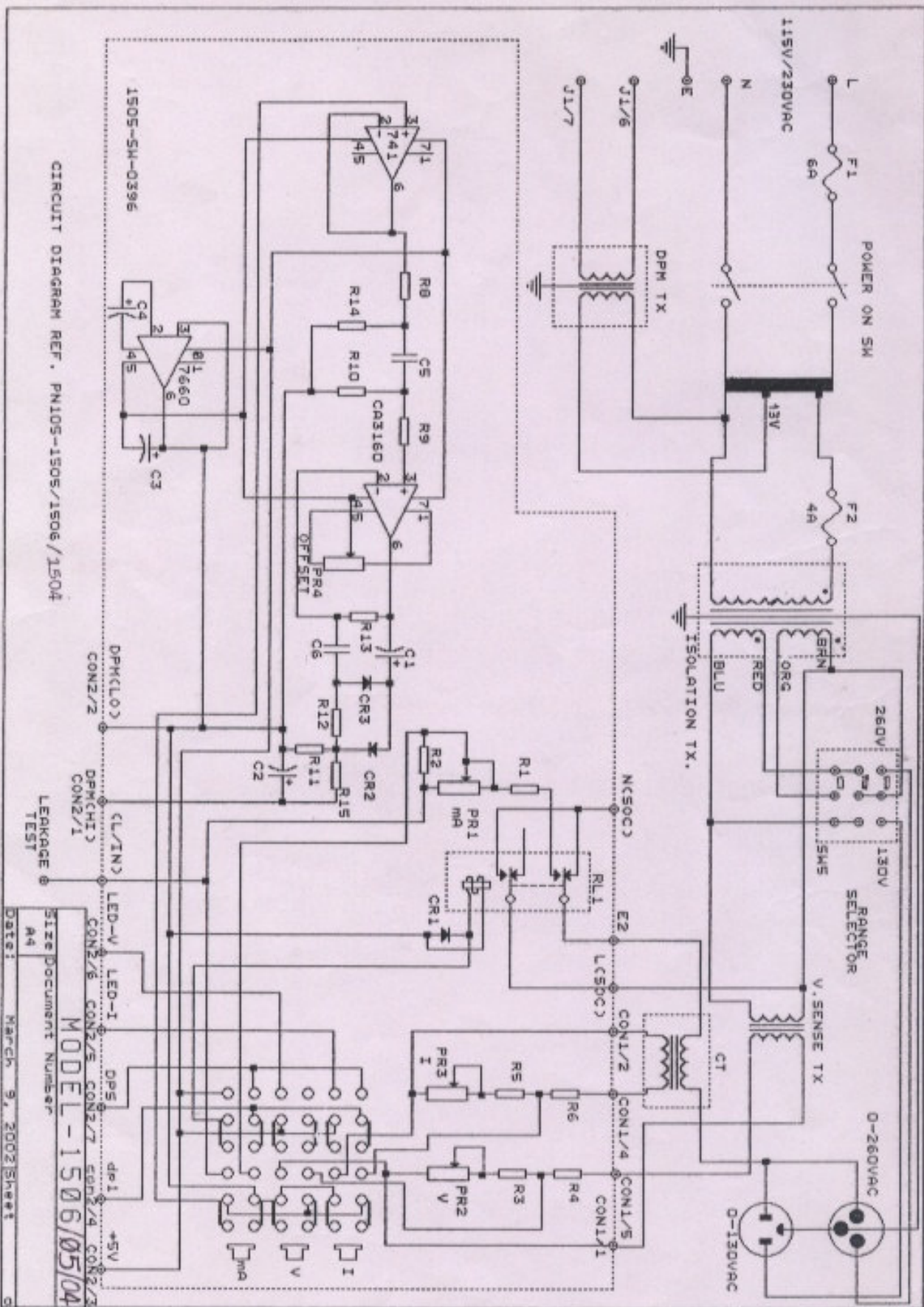


DIGITAL PANEL METER (DPM-0893)



CIRCUIT DIAGRAM REF. PN105-1506

CIRCUIT DIAGRAM OF MODEL 1506/05/04



CIRCUIT DIAGRAM REF. PH105-1505/1506/1504

1505-SM-0396

LEAKAGE TEST

DATE: MARCH 9, 2002 Sheet 9

SIZE Document Number MODEL-1506/05/04

SIZE A4

## **SERVICE AND WARRANTY INFORMATION**

For up-to-date product information, please visit [www.globalspecialties.com](http://www.globalspecialties.com).

For instructions on how to obtain a return merchandise authorization number (RMA), please visit our website, or call our customer service department.

**GLOBAL SPECIALTIES**  
**22820 Savi Ranch Parkway**  
**Yorba Linda, CA 92887**  
**800-572-1028**  
**globalspecialties.com**

Global Specialties will service and repair this instrument free of charge for a period of 3 full years, subject to the warranty conditions below.

### **WARRANTY**

Global Specialties warrants the PB-503 to be free from defective material or workmanship for a period of 3 full years from date of original purchase. Under this warranty, Global Specialties is limited to repairing the defective device when returned to the factory, shipping charges prepaid, within 3 full years from date of original purchase.

Units returned to Global Specialties that have been subject to abuse, misuse, damage or accident, or have been connected, installed or adjusted contrary to the instructions furnished by Global Specialties, or that have been repaired by unauthorized persons will not be covered by this warranty.

Global Specialties reserves the right to discontinue models, change specifications, price or design of this device at any time without notice and without incurring any obligation whatsoever.

The purchaser agrees to assume all liabilities for any damages and/or bodily injury which may result from the use or misuse of this device by the purchaser, his employees, or agents.

This warranty is in lieu of all other representations or warranties expressed or implied and no agent or representative of Global Specialties is authorized to assume any other obligation in connection with the sale and purchase of this device.

*All rights reserved. No Part of this book shall be reproduced, stored in a retrieval system, or transmitted by any means, electronic, mechanical, photocopying recording, or otherwise, without written permission from the publisher. No patent liability is assumed with respect to the use of the information contained herein. While every precaution has been taken in the preparation of this book, the publisher assumes no responsibility for errors or omissions. Neither is any liability assumed for damages resulting from the use of the information contained herein.*