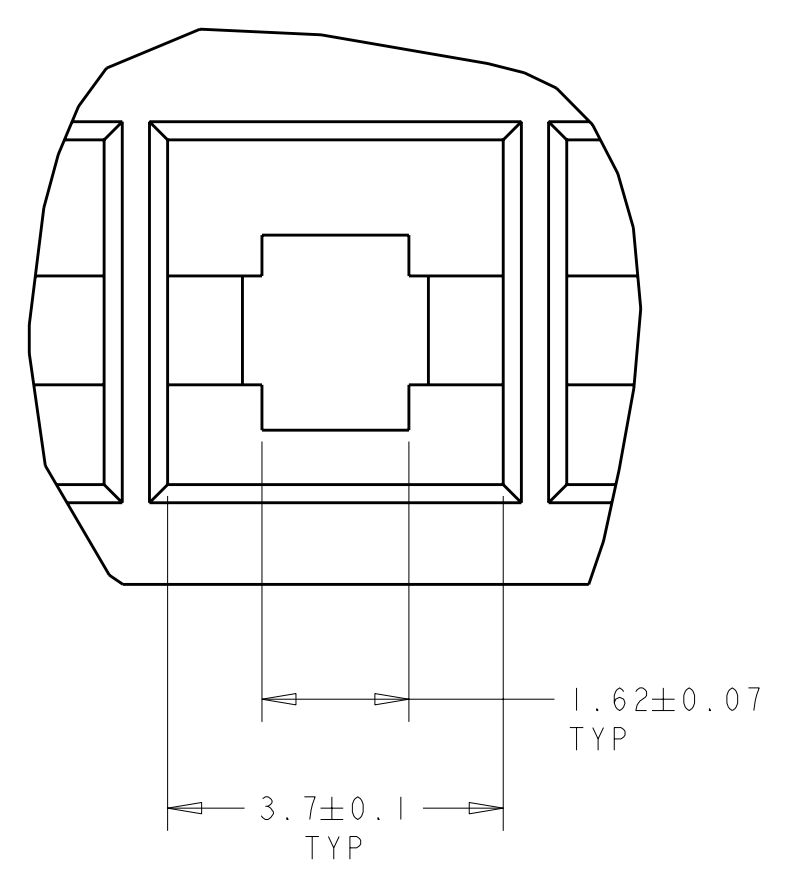
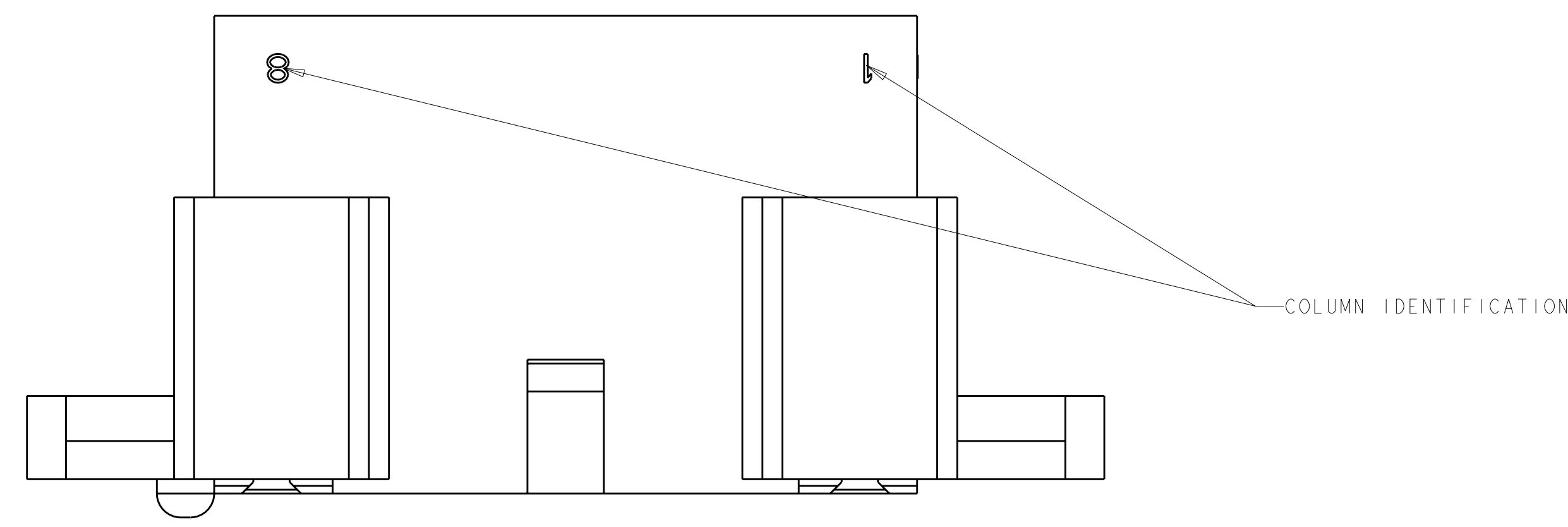
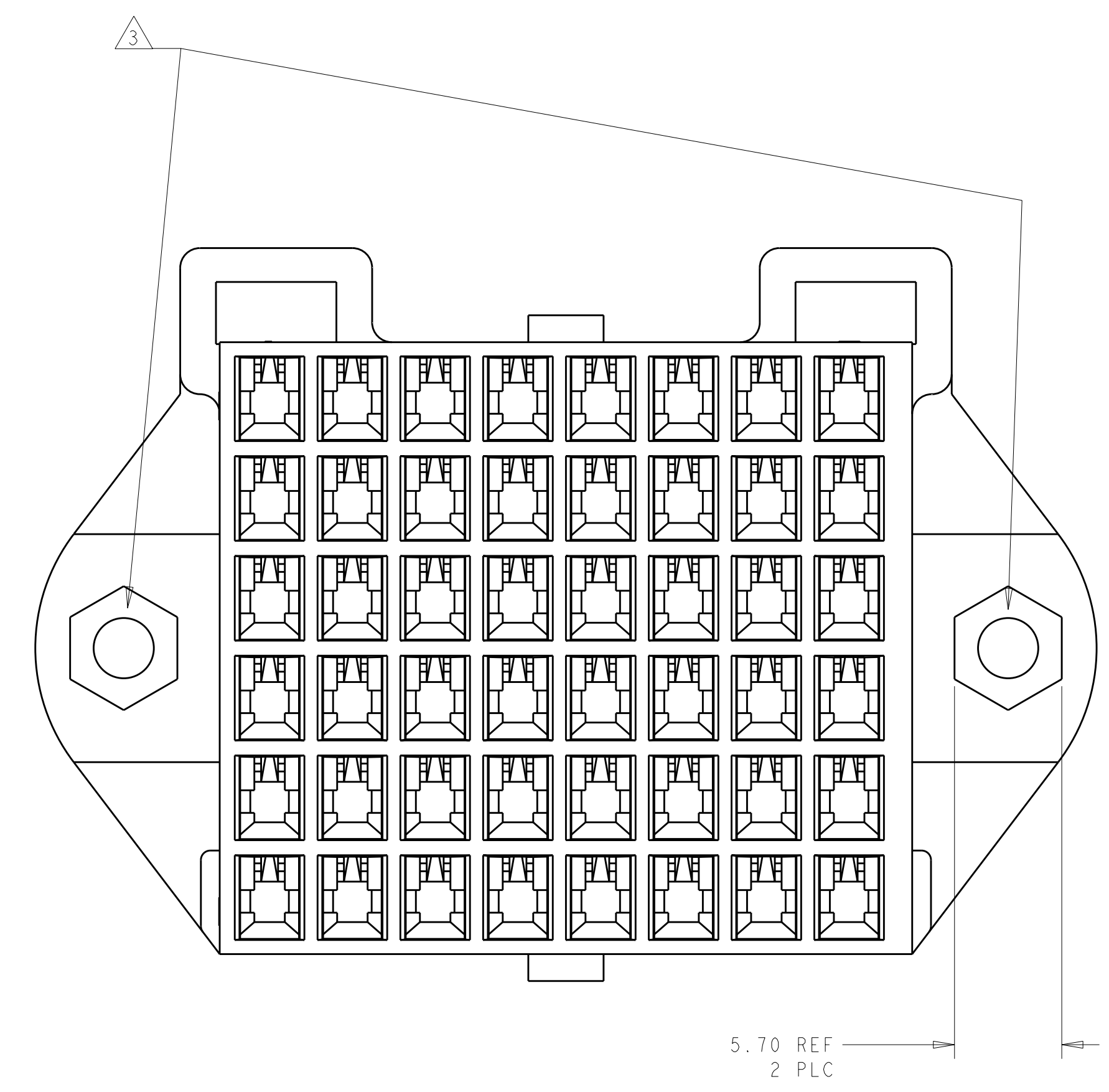
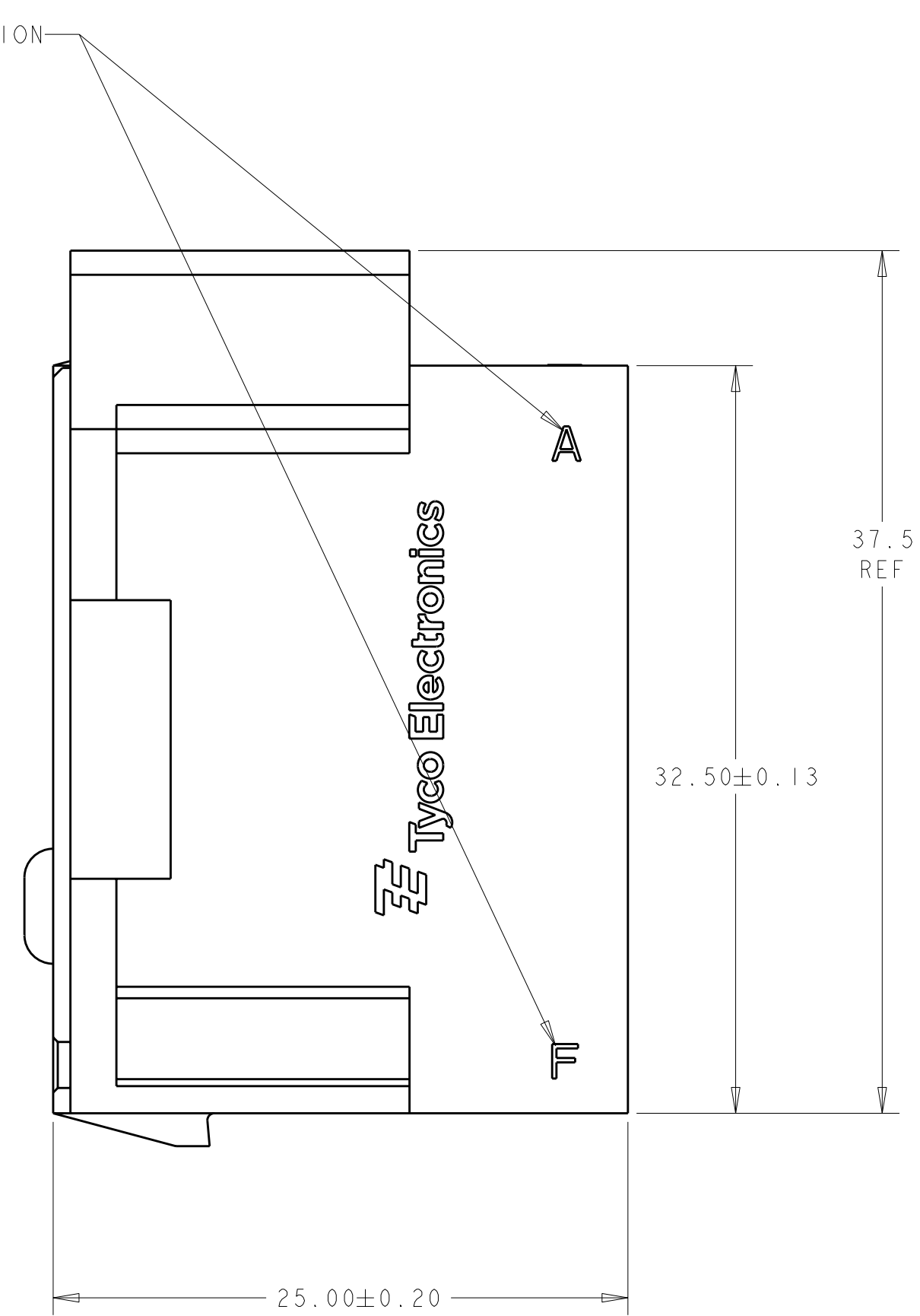
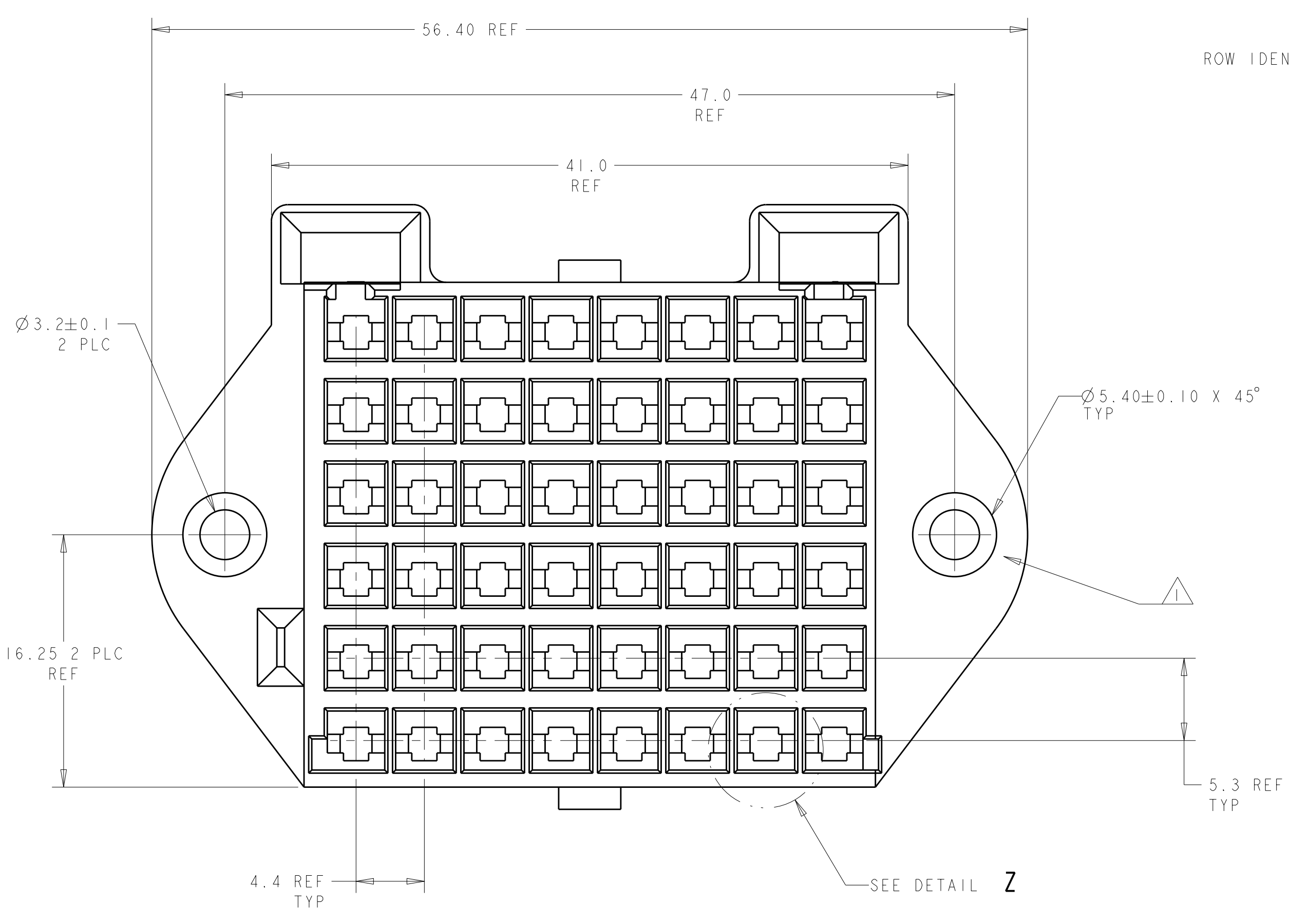


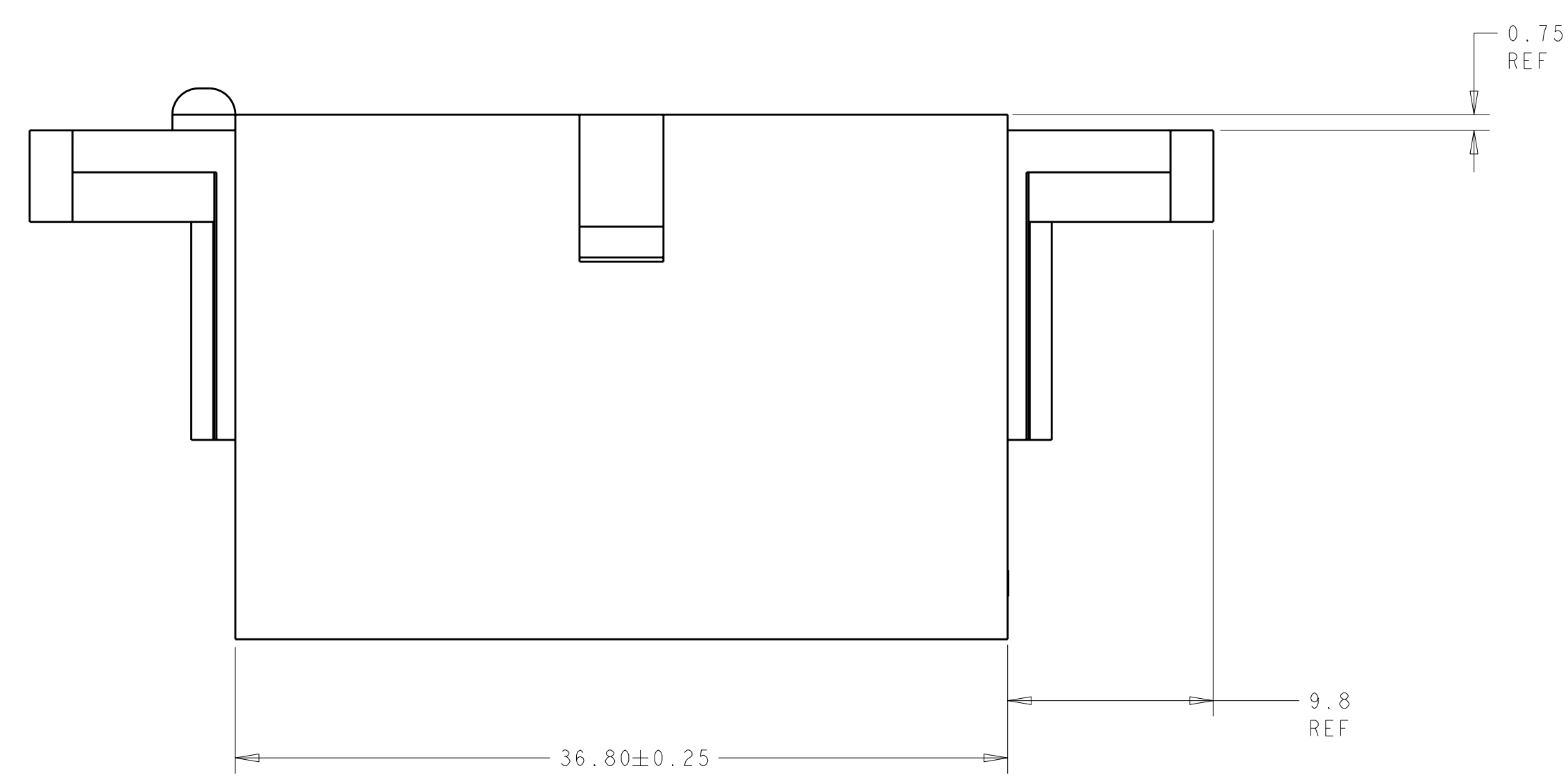
LOC	DIST	REVISIONS					
AD	00	P	LTR	DESCRIPTION	DATE	DWN	APVD
		A		RELEASED PER ECO-07-017382	01AUG2007	WS	AF
		B		REV PER ECO-07-018771	09AUG2007	WS	AF



DETAIL Z  
SCALE 12:1



- △ PBT UL94V-0.
- 2. ALL SHARP CORNERS ON PANEL CUT-OUT MAY HAVE A R0.1 MAX.
- △3 ALLOWS FOR A STYLE I M3 HEX NUT.



**THIS PRODUCT HAS NOT COMPLETED  
VALIDATION TESTING**

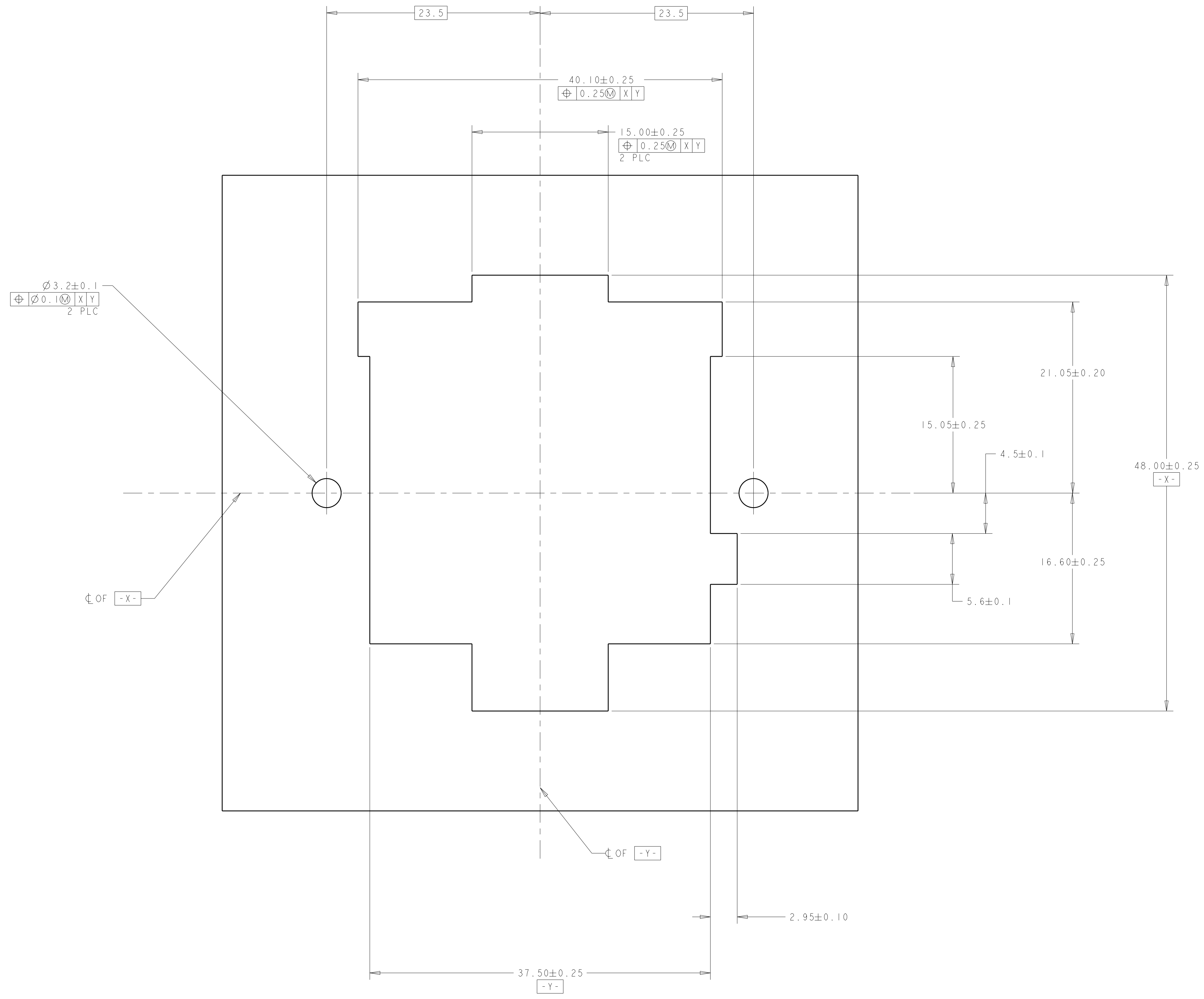
1934142-1  
PART NUMBER

DIMENSIONS: mm 		TOLERANCES UNLESS OTHERWISE SPECIFIED: 0 PLC ± 1 PLC ± 2 PLC ± 3 PLC ± 4 PLC ± ANGLES ± FINISH ±		DWN C. RITIER 01FEB2006 CHK - 01FEB2006 APVD - NAME - PRODUCT SPEC 108-2248 APPLICATION SPEC 114-13195 WEIGHT - CUSTOMER DRAWING	Tyco Electronics Harrisburg, PA 17105-3608 48 POSITION PLUG HOUSING AMP-DUAC UPC SIZE CAGE CODE DRAWING NO. RESTRICTED TO A100779C=1934142 SCALE 1:1 SHEET 1 OF 2 REV B
-----------------------	--	---	--	---	---

LOC	DIST	REV	DATE	BY	CHKD	APVD
AD	00					

REVISIONS			
REV	DATE	DESCRIPTION	BY
-	-	SEE SHEET 1	-



**THIS PRODUCT HAS NOT COMPLETED  
 VALIDATION TESTING**

DIMENSIONS: mm 		TOLERANCES UNLESS OTHERWISE SPECIFIED: 0 PLC ± 1 PLC ± 2 PLC ± 3 PLC ± 4 PLC ± ANGLES ± FINISH ±		DWN: C. RITTER 01FEB2006 CHK: - 01FEB2006 APVD: -	Tyco Electronics Harrisburg, PA 17105-3608
MATERIAL: - FINISH: -		PRODUCT SPEC: 108-2248 APPLICATION SPEC: 114-13195		NAME: 48 POSITION PLUG HOUSING AMP-DUAC UPC SIZE: A   00779   C=1934142 WEIGHT: - CUSTOMER DRAWING	
SCALE: 4:1				SHEET: 2 OF 2	REV: B