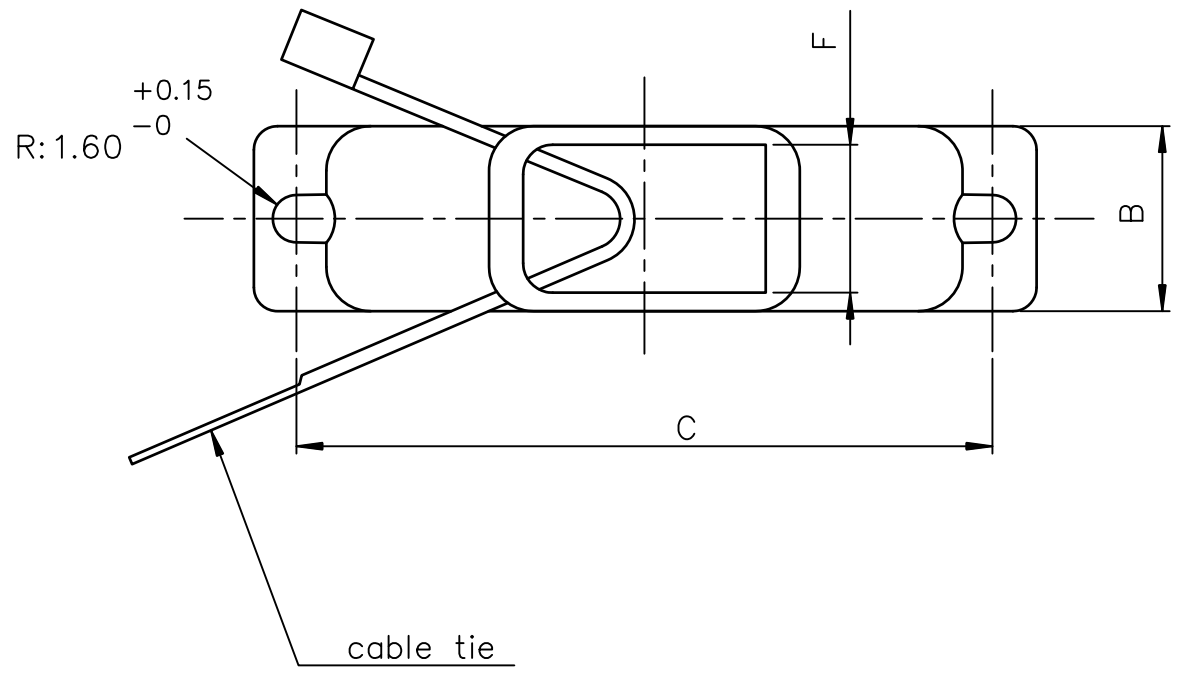


MATERIAL:
Thermoplastic

TEMPERATURE RANGE:
- Climatic category -55°/ +125°

COLOUR
Black



Dimensions are in millimeters

Shell size	Number of contacts	A ^{+0.9} _{-0.2}	B ^{+0.10} ₀	C ^{±0.05}	D ^{±0.10}	E ^{±0.10}	F ^{±0.10}	PART NUMBER	PART NUMBER
E	09	30.60	12.50	25	29.00	9.99	9.99	863086BLF	863086B10LF
A	15	38.90	12.50	33.32	29.00	11.99	9.99	863021BLF	863021B10LF
B	25	52.80	12.50	47.05	35.00	16.40	9.99	863022BLF	863022B10LF
C	37	69.10	12.50	63.50	41.00	23.49	9.99	863023BLF	863023B10LF
D	50	66.70	15.30	61.10	41.00	23.49	12.79	863024BLF	863024B10LF
								Packaging per 100 pieces	Packaging per 10 pieces



Copyright FCI.

NOTE: RoHS INFORMATIONS

- The "LF" product meets European union Directives and other country regulations as described in GS-22-008.
- The product is not intended to be exposed to a manufacturing solder process.
- Packaging spec: see GS-14-920.

rev	ecn no	dr	date
A	LS05-0086	MPE	2005/10/14
B	LS06-0095	LGO	2006/06/23
C	LS09-0006	PCR	2009/01/08
D	I11-0056	AMR	2011/03/19
-	-	-	-
-	-	-	-
-	-	-	-

www.fciconnect.com		surface ISO 1302 ✓	tolerance std ISO 406 ISO 1101	projection mm
TOLERANCES UNLESS OTHERWISE SPECIFIED				
Dr	MASSON	2005/10/14	ANGULAR	0.X ±0.1
Eng	PESSON	2005/10/14	LINEAR	0.XX ±0.1
Chr	ABHILASH	2011/03/19	0.XX ±2	0.XXX ±0.1
Appr	SUDHIR	2011/03/19	Product family	D-SUB
title MONOBLOC PLASTIC HOODS FOR POTTING straight exit				size A3
catalog no				Scale 5
dwg no C01-8655-1619				ECN I11-0056
Rev. D				Spec ref -
CUSTOMER				sheet 1 of 1