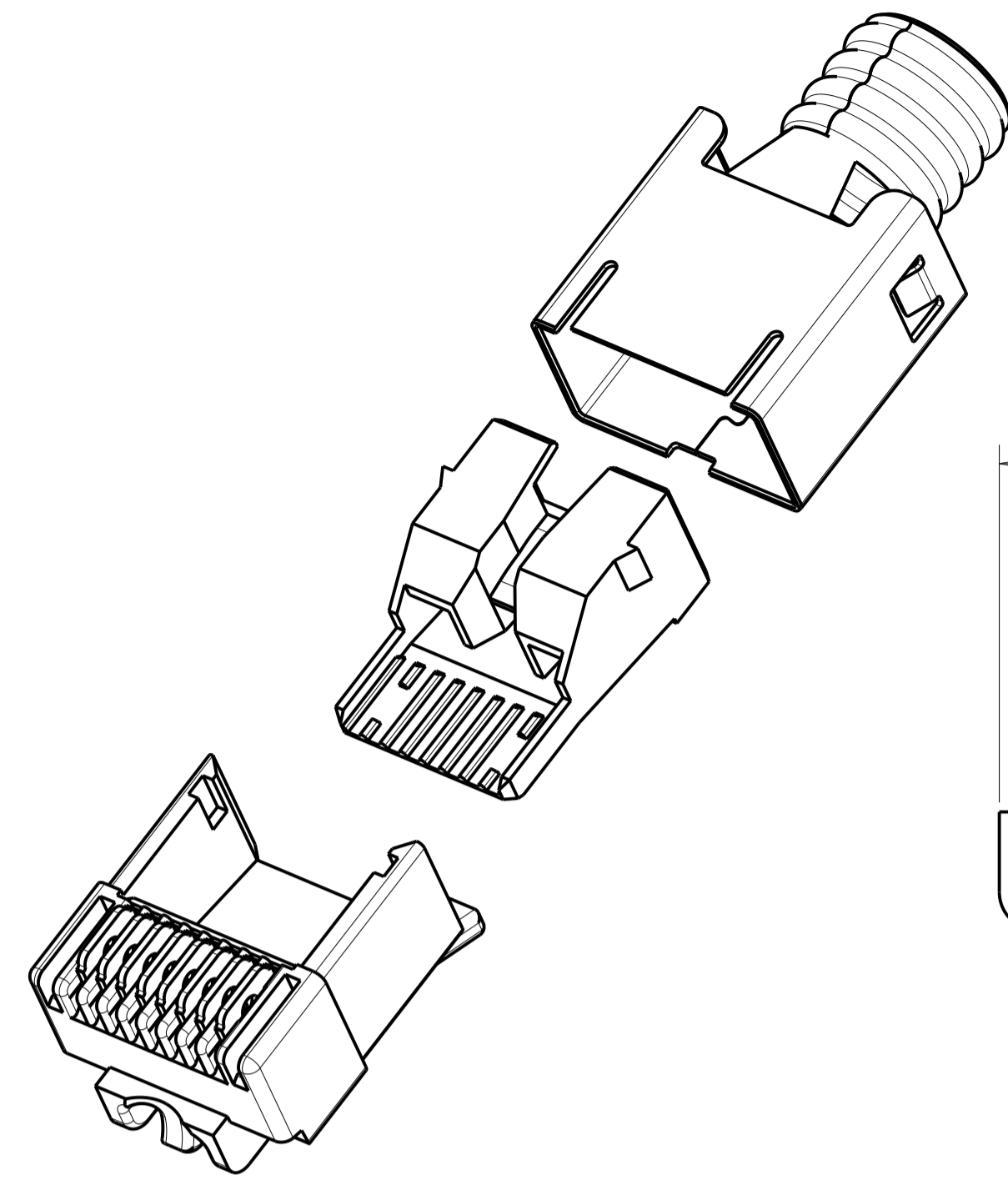
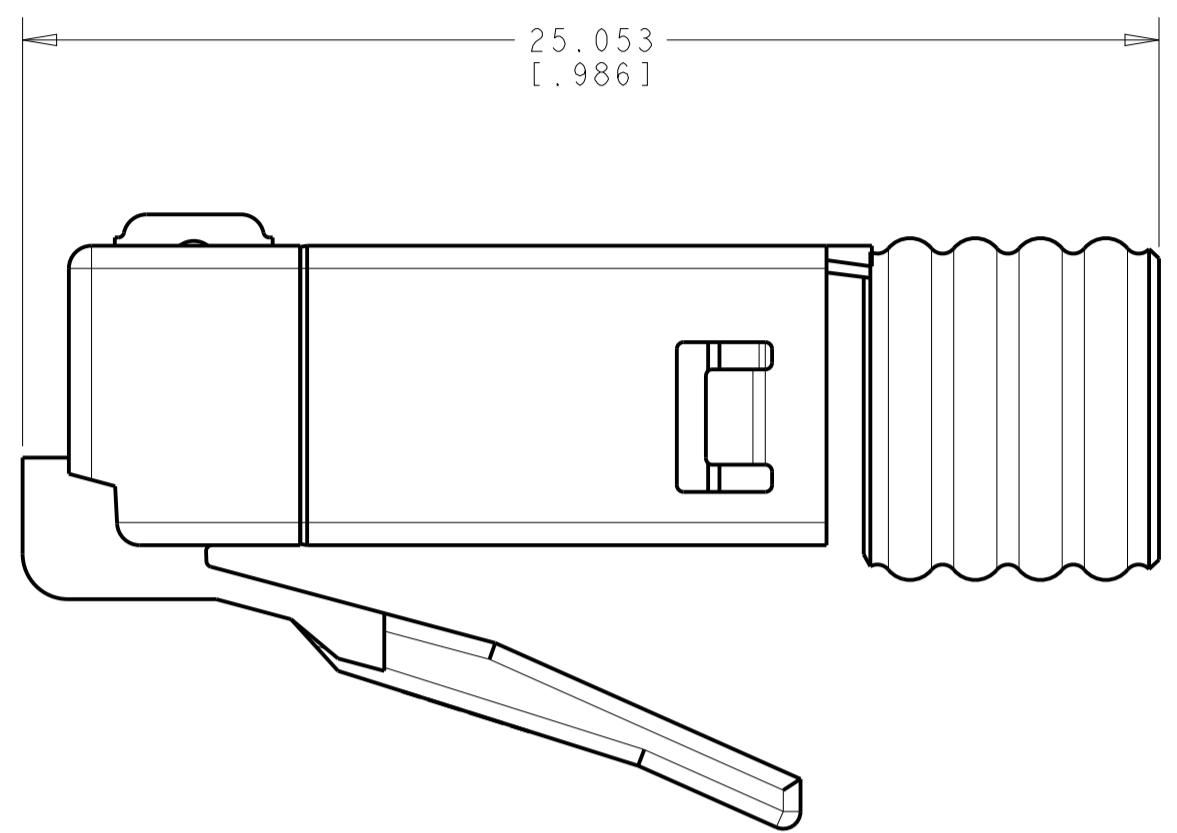


REVISIONS				
P.	LTN.	DESCRIPTION	DATE	APPV.
A		RLSD; 40023241MCO	14JULY2015	GG DC
A1		REV; 40032903MCO	15AUG2016	GG JG
B		REV PER ECN 8000018345	01MAR2017	GG MS



MP-6S-



FULLY ASSEMBLED

DIAMETER TABLE

A: 4.7 - 5.5 MM
[.185 - .217] IN

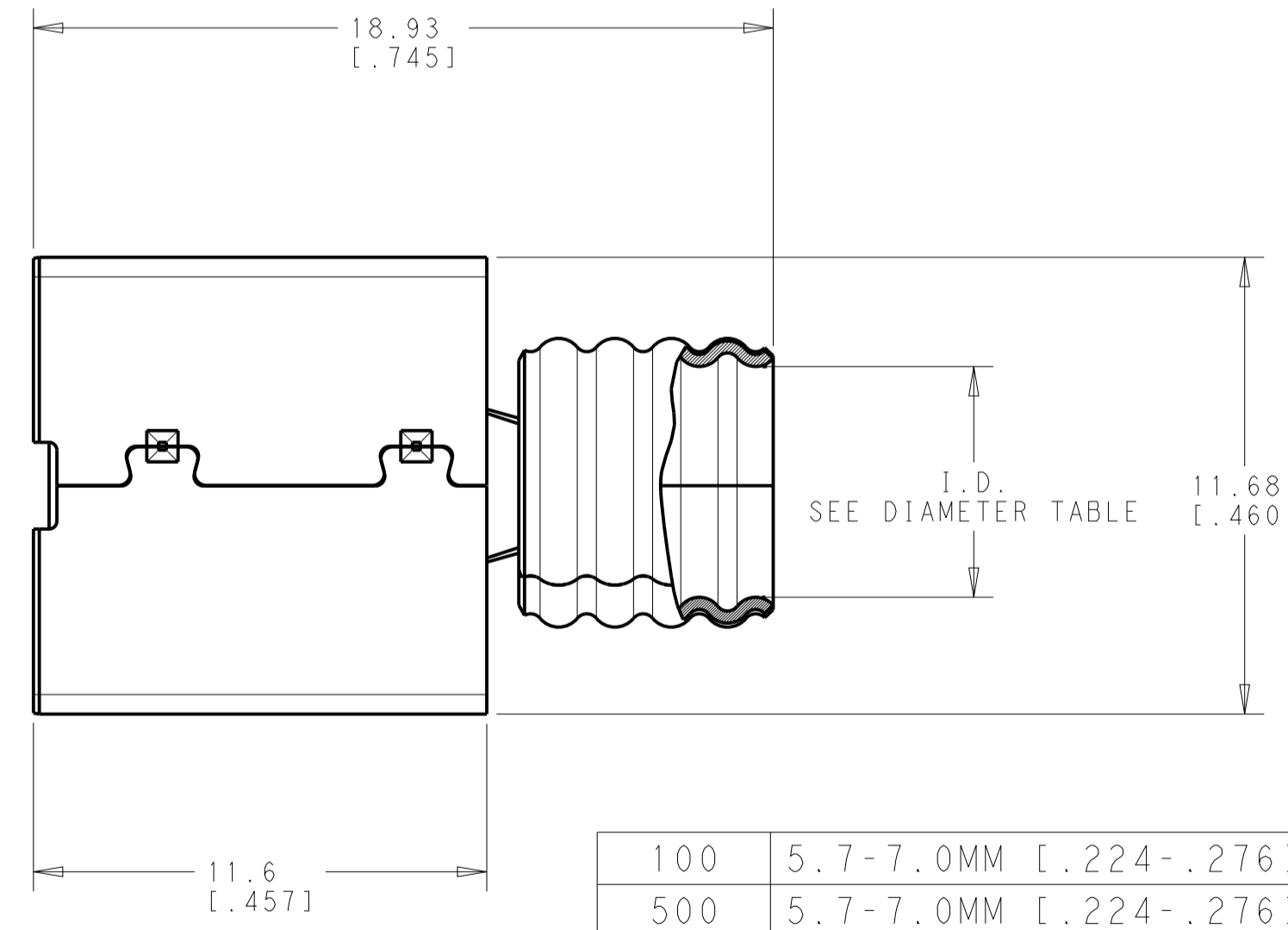
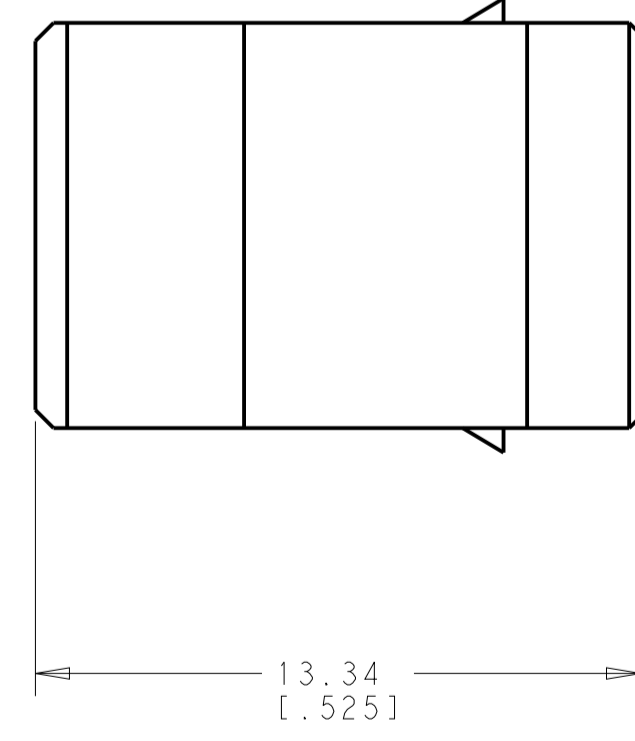
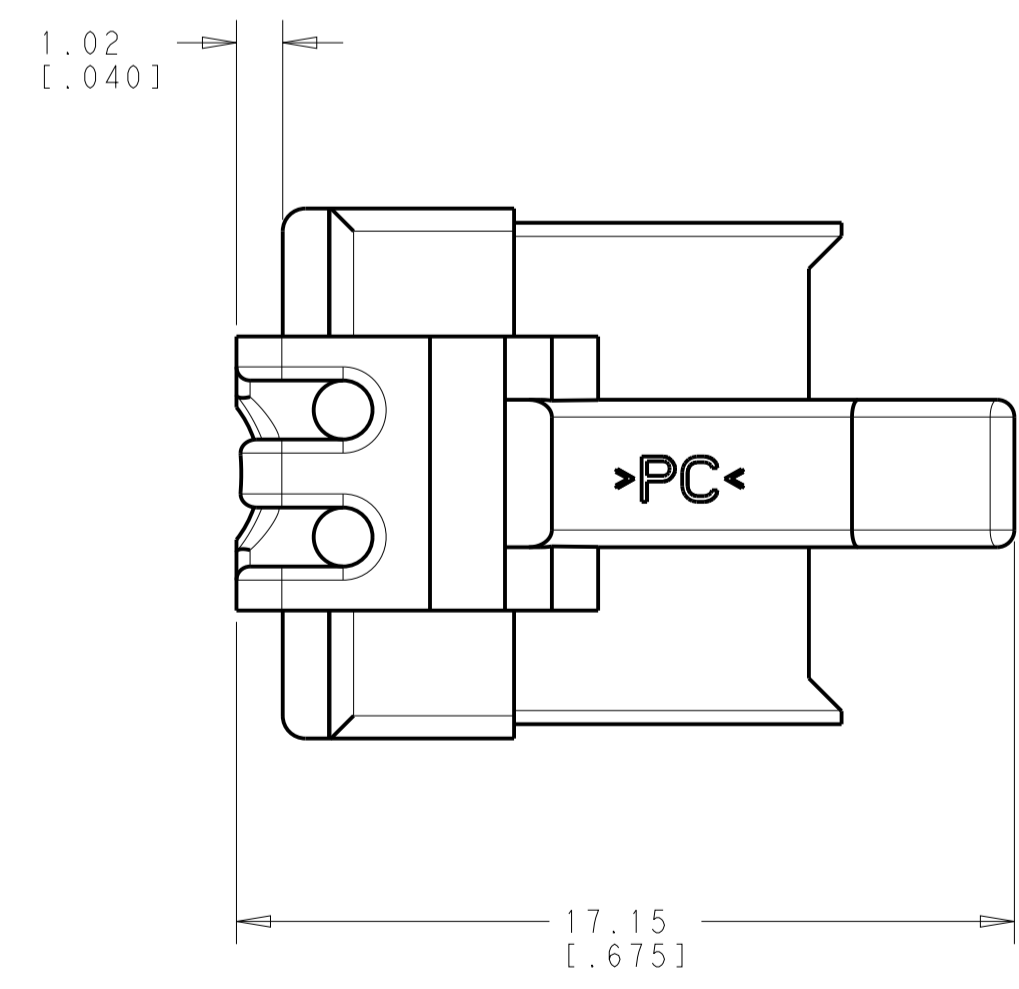
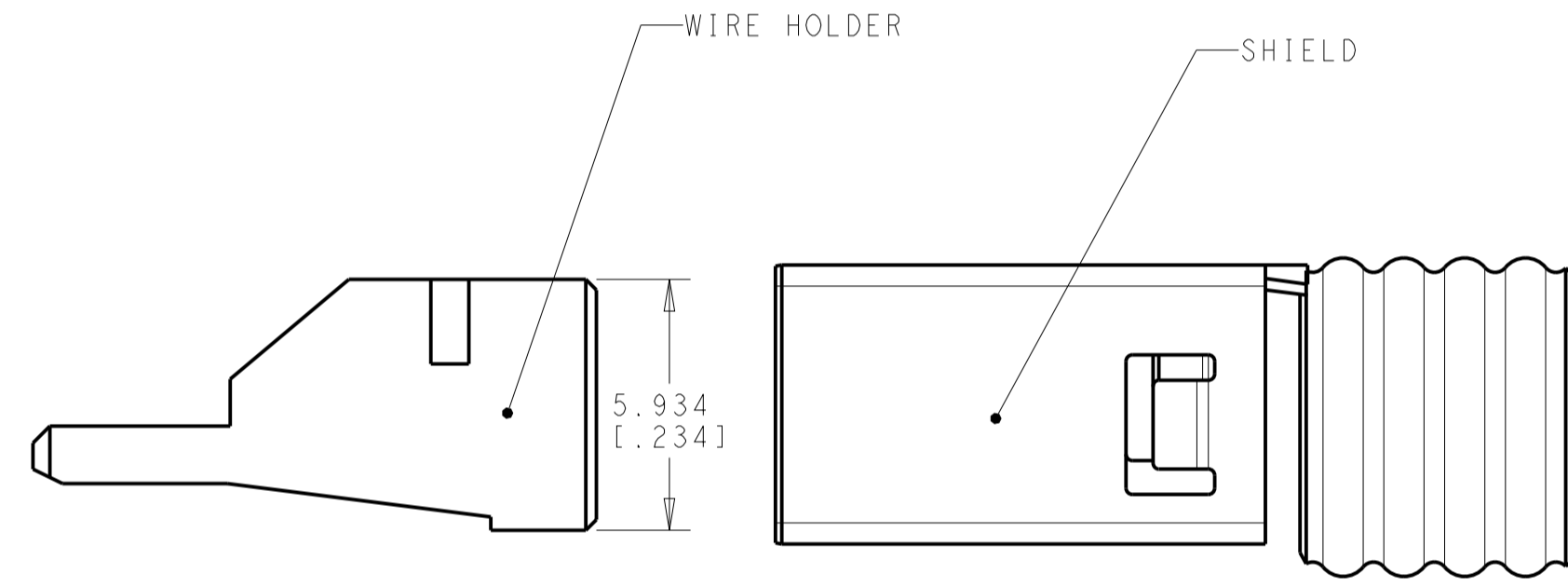
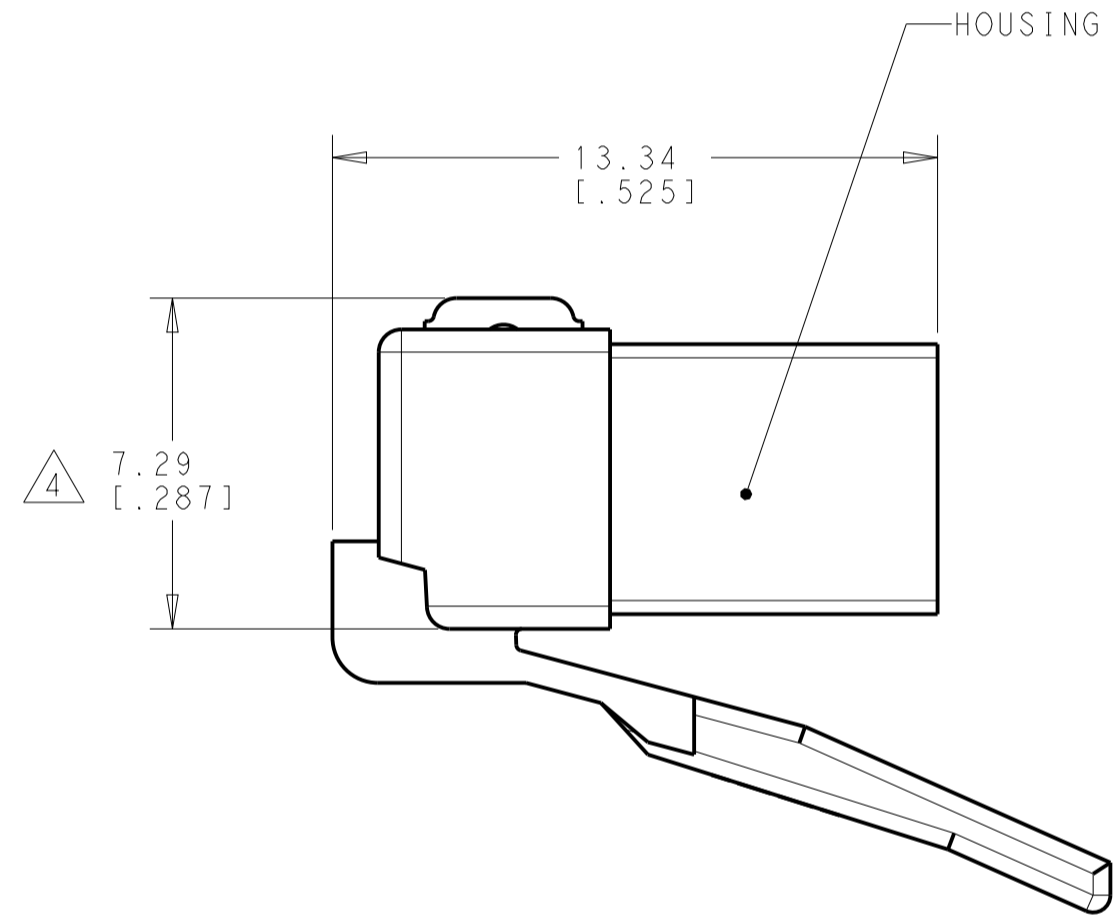
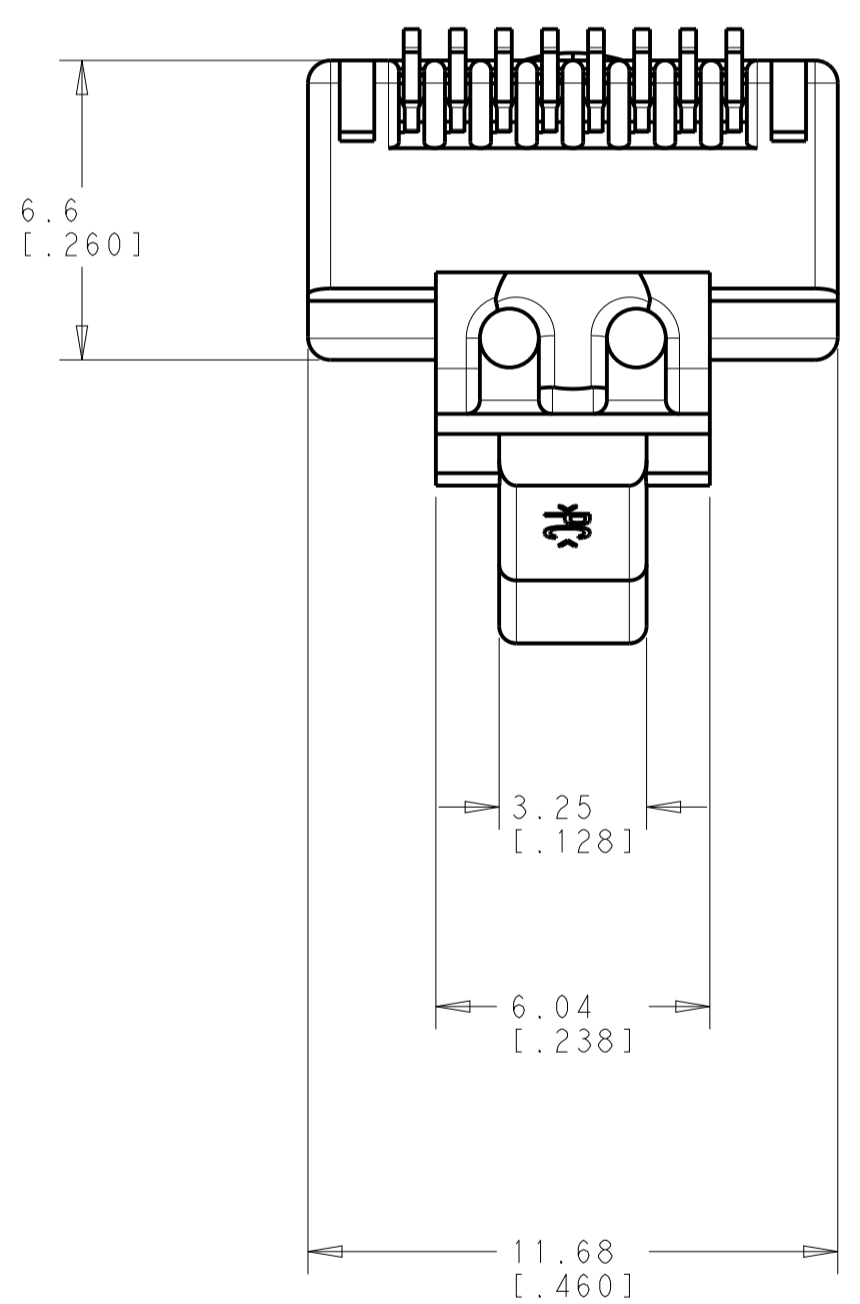
B: 5.1 - 6.0 MM
[.201 - .236] IN

C: 5.7 - 7.0 MM
[.224 - .276] IN

PACKAGE SIZE

5 = 500
1 = 100

- 1. MATERIAL: HOUSING - 94V-0 RATED POLYCARBONATE CLEAR
 TERMINAL - 0.305 [0.012] THICK PHOSPHOR BRONZE PLATED WITH 1.27 μm [0.00005] MINIMUM THICK GOLD IN LOCALIZED AREA, OVER 2.54 μm [0.000100] MINIMUM THICK NICKEL UNDERPLATE.
 WIRE HOLDER - POLYCARBONATE CLEAR.
 SHIELD - BRASS WITH 0.8 μm [0.00031] MINIMUM NICKEL PLATED.
- 2. DIMENSIONS ARE NOMINAL UNLESS OTHERWISE SPECIFIED.
- 3. PLUG WILL ACCEPT A 24-26 AWG STRANDED CONDUCTOR WITH A SINGLE INSULATION OF 0.89 - 1.02 [0.035 - .040] OR 23-24 AWG SOLID CONDUCTOR WITH A SINGLE INSULATION OF 0.89 - 1.02 [0.035 - .040].
- 4. TERMINATED DIMENSION 5.89 [0.232] - 6.15 [0.242].
- 5. SLIM-LINE MODULAR PLUG BOOT, PN 2153257-1 FOR "C" VERSION AND PN 2153256-1 FOR "A" OR "B" VERSION.
- 6. UL RECOGNIZED: FILE NUMBER E81956.



PACKAGE	CABLE DIAMETER	MATERIAL	CATALOG NUMBER
100	5.7-7.0MM [.224-.276IN]	6-2111989-3	MP-6S-C-1
500	5.7-7.0MM [.224-.276IN]	6-2111989-2	MP-6S-C-5
100	5.1-6.0MM [.201-.236IN]	6-2111979-3	MP-6S-B-1
500	5.1-6.0MM [.201-.236IN]	6-2111979-2	MP-6S-B-5
100	4.7-5.5MM [.185-.217IN]	6-2111977-3	MP-6S-A-1
500	4.7-5.5MM [.185-.217IN]	6-2111977-2	MP-6S-A-5

THIS DRAWING IS A CONTROLLED DOCUMENT. OWN: G. GARRETT 17APR2015
 CHK: J. GENIAC 17APR2015
 APPV: J. GENIAC 17APR2015

COMMSCOPE, INC.

NAME: KIT, MOD PLUG, CATEGORY 6, SHIELDED, CABLE RANGE 4.7 TO 7.0

PRODUCT SPEC: -
 APPLICATION SPEC: -

SIZE: A1 CAGE CODE: - DRAWING NO: C=2843002 RESTRICTED TO: -
 WEIGHT: -
 Customer Drawing SCALE: 6:1 SHEET 1 OF 1 REV B