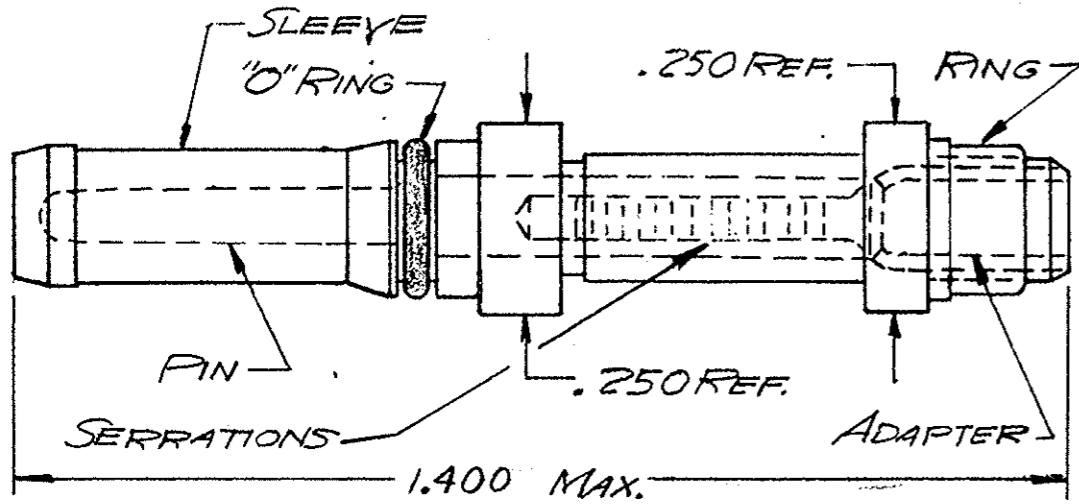


© 1961 BY AMP INCORPORATED. ALL RIGHTS RESERVED. AMP PRODUCTS COVERED BY PATENTS AND/OR PATENTS PENDING.

REVISIONS				
SYM	ZONE	DESCRIPTION	DATE	APPROVAL
B		REDRAWN; ADDED MIL SPECS	4/15/64	H.A.S.
C		REVISED PER PC-9644	5-26-88	JFM
D		REV/OG10-0031-99	3-4-99	ME/5B



1. .054-.094 INSULATION DIA

1	2-327834-1	SLEEVE	NYLON (MIL-M-20693) COLOR: <u>TRANSPARENT</u>
		ADAPTER	NATURAL
		"O" RING	RUBBER
		RING	COPPER (ASTM B 152) TIN PL (ASTM B 545) TYPE I COLOR: GREEN
		PIN	BRASS (ASTM B121) GOLD PL (MIL-G-45204) TYPE II.000050 MIN EXT THK OVER NICKEL PL (QQ-N-290).000030 MIN. EXT. THK
QTY REQD	PART OR IDENTIFYING NO.	NOMENCLATURE OR DESCRIPTION	MATERIAL AND FINISH

LIST OF MATERIALS OR PARTS LIST

UNLESS OTHERWISE SPECIFIED DIMENSIONS ARE IN INCHES TOLERANCES ON FRACTIONS $\pm \frac{1}{64}$ DECIMALS $\pm .008$ ANGLES $\pm 5^\circ$	SIGNATURE	DATE		AMP INCORPORATED HARRISBURG, PENNSYLVANIA	
	DR	X.H. Wolfe			4/15/64
	MATERIAL	CHK	H.A. Sattler	NAME	SEALED HELICON DISCONNECT PIN WIRE SIZE: 22-20
	SEE TABLE	DSGN ENGR			
HEAT TREAT	APPD	Beel	DATE	6/16/64	
FINISH	DSGN APPD		CODE IDENT NO	00779	
SEE TABLE	OTHER APPD		SIZE	B	
AMP INFO	LOC	PRINT	DIST	NUMBER	327834
G	14	C			
SCALE	4-1	WT	.046 ^{calc}	ACTUAL	SHEET 1 OF 1