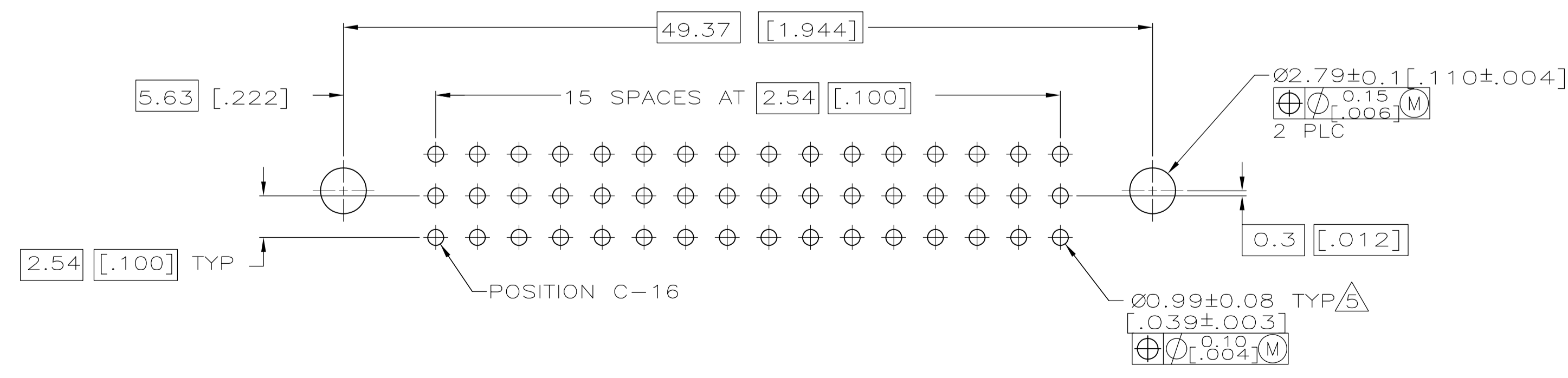
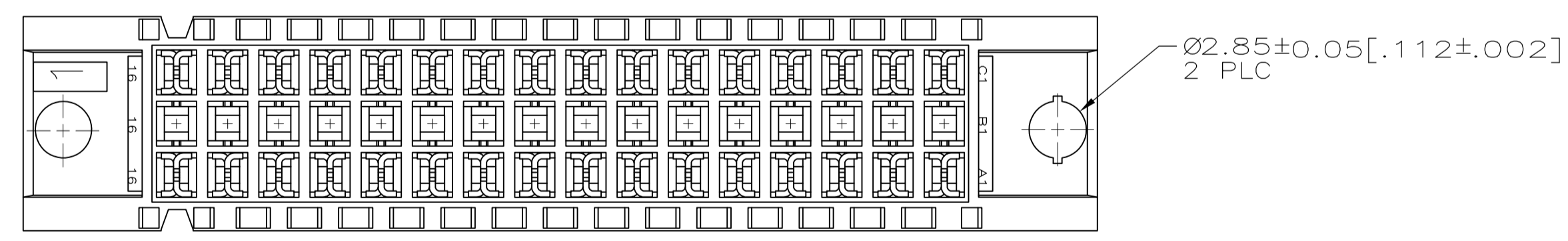
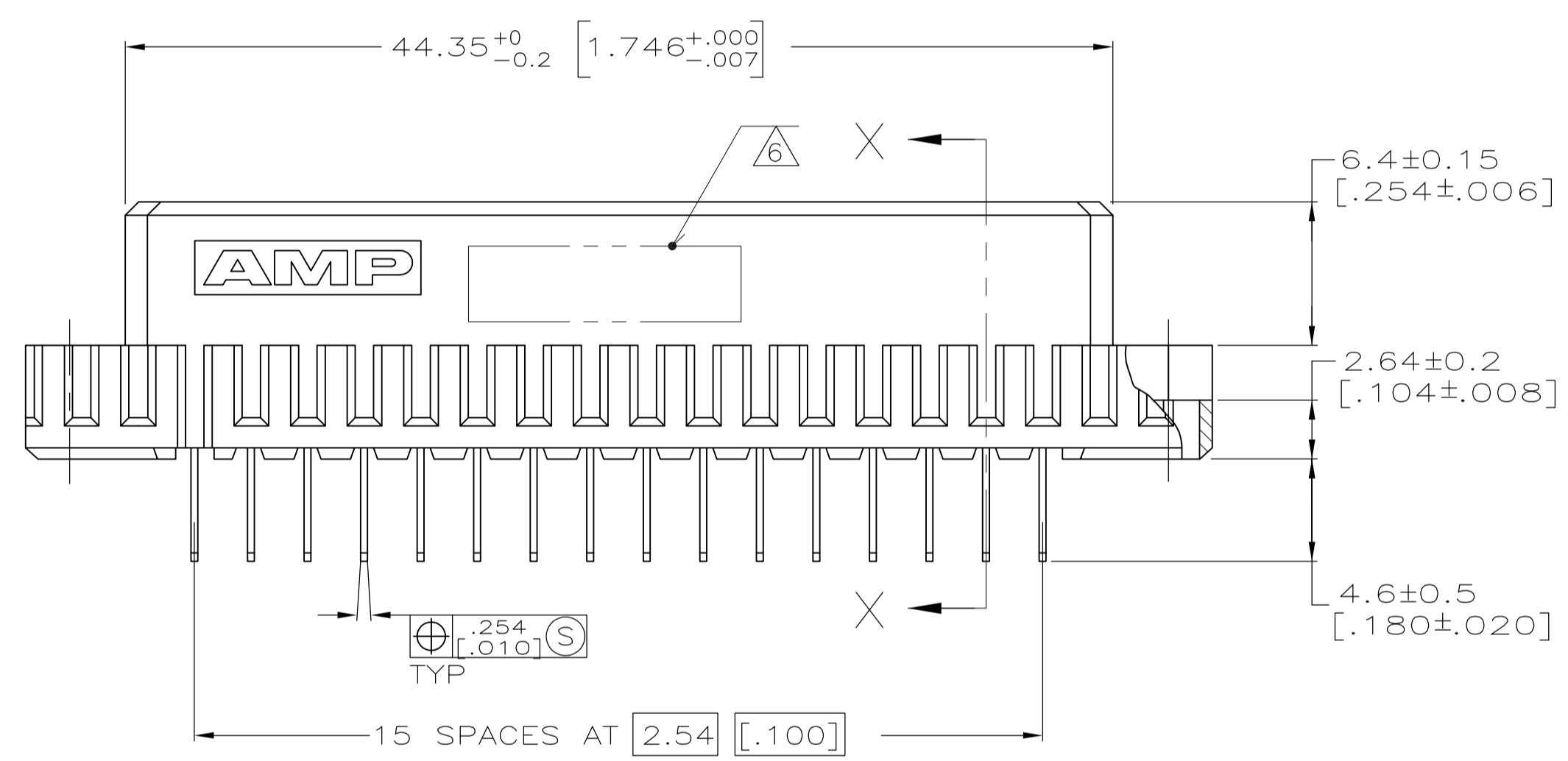
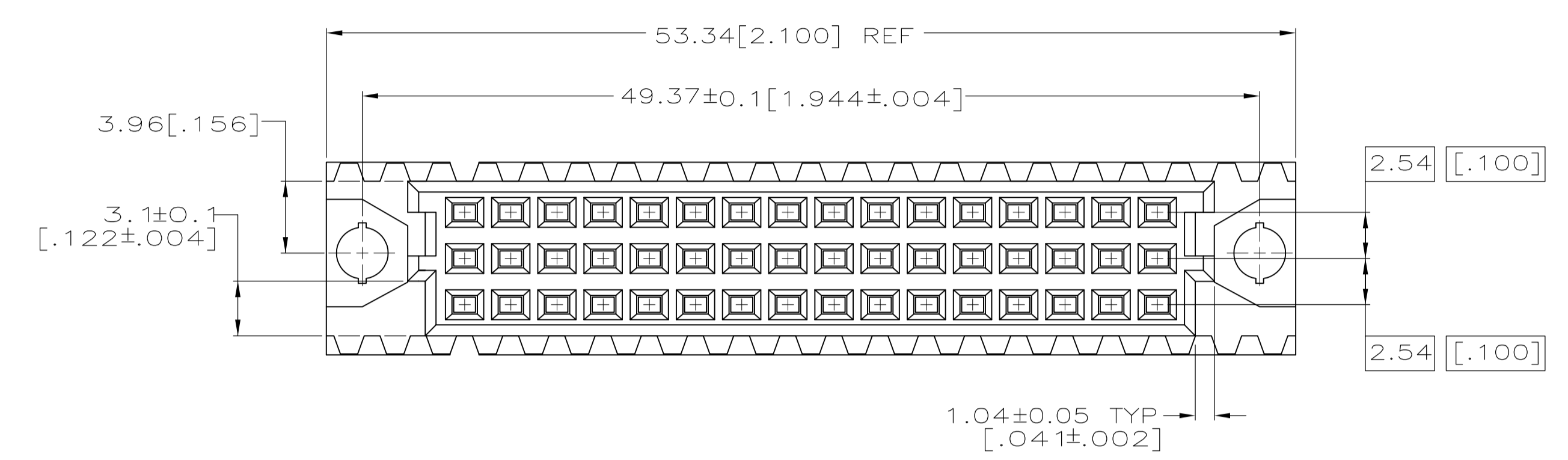
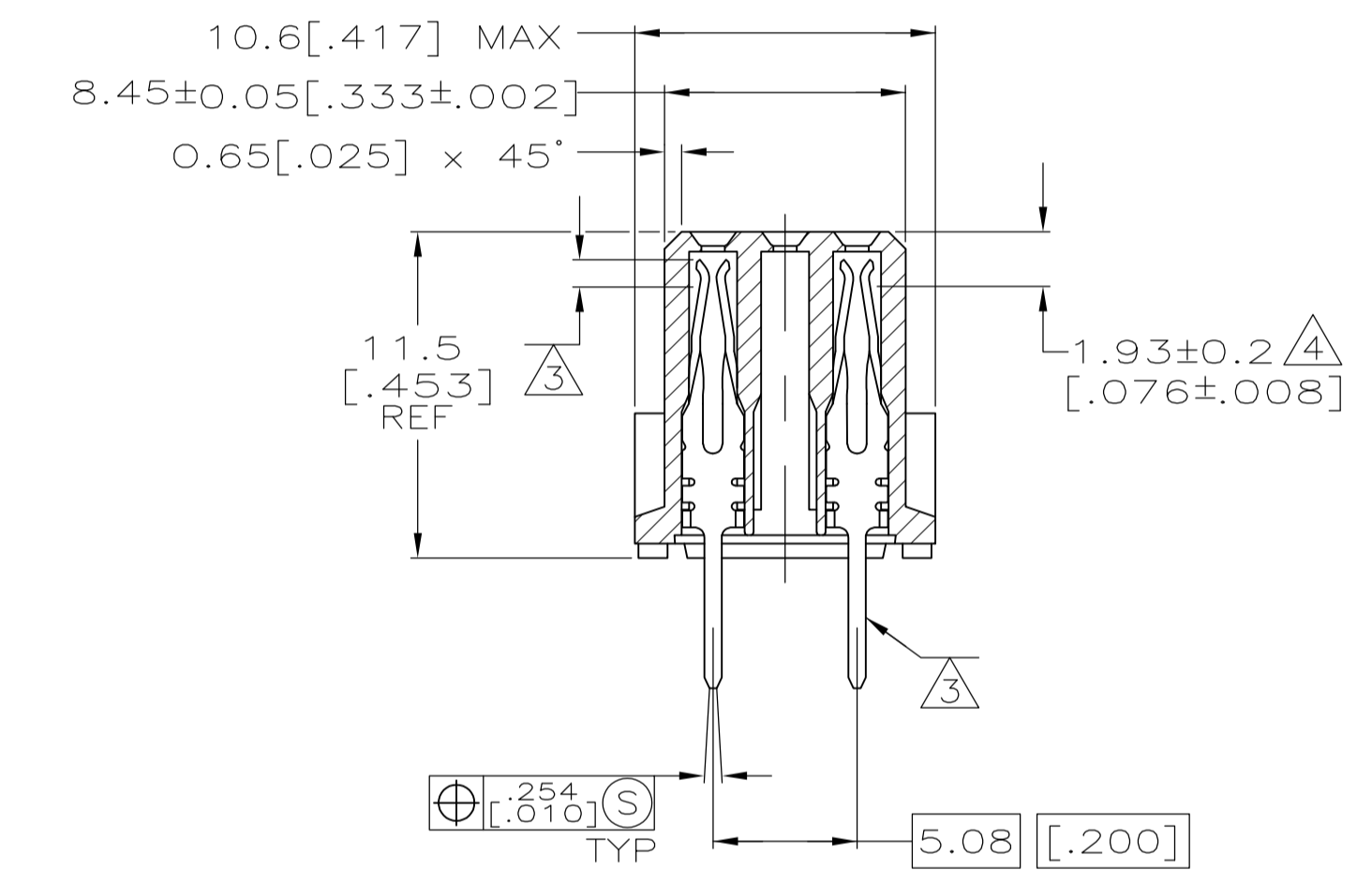


LOC		DIST		REVISONS			
AD	25	REV	DATE	DESCRIPTION	DATE	BY	APPV
		0	03JUN05	RELEASE PER EC 0512-0082-05		JDP	AMS
		01	10NOV09	REVISED PER ECO-09-024927		KK	AEG

- ① HOUSING MATERIAL: GLASS-FILLED POLYMER.
- ② CONTACT MATERIAL: COPPER ALLOY.
- ③ CONTACT FINISH: DIN 41612 CLASS 2 IN CONTACT AREA. TIN PLATE ON POSTS.
- ④ CONTACT POINT.
- ⑤ RECOMMENDED HOLE SIZE FOR MANUAL APPLICATION OF CONNECTOR ONTO PC BOARD.
- ⑥ PART NUMBER, DATE CODE IDENTIFICATION, CSA LOGO IN THIS APPROXIMATE AREA ON REVERSE SIDE.
- ⑦ OBSOLETE PARTS: OBSOLETE CIS STREAMLINING PER D.RENAUD/D.SINISI



PC BOARD LAYOUT



SECTION X-X

REV	DATE	DESCRIPTION	NO. OF LOADED POSITIONS	ASSY PART NUMBER
1	03JUN05	1 THRU 16	32	5650466-5
2	10NOV09	1 THRU 16	32	5650466-4

FINISH	POSITIONS LOADED	ROWS LOADED	NO. OF LOADED POSITIONS	ASSY PART NUMBER
		C B A		

THIS DRAWING IS A CONTROLLED DOCUMENT.		DRAWN BY: J. POLIGNONE	DATE: 03JUN05	Tyco Electronics Corporation Harrisburg, PA 17105-3608
DIMENSIONS: mm [INCHES]		CHKD BY: A. SHARPE	DATE: 03JUN05	
TOLERANCES UNLESS OTHERWISE SPECIFIED:		APPROVED BY: A. SHARPE	DATE: 03JUN05	NAME: ASSEMBLY, RECEPTACLE, EUROCARD, TYPE C/2, A and C, 32/48 POSITION, 4.57[.180] SOLDER POSTS
0 PLC ± - 1 PLC ± - 2 PLC ± - 3 PLC ± 0.13[.005] 4 PLC ± - ANGLES ± -		APPLICATION SPEC	SIZE: A1	
MATERIAL	FINISH	WEIGHT	DRAWING NO: 00779	RESTRICTED TO: -
			SCALE: 4:1	SHEET: 1 of 1
CUSTOMER DRAWING		SCALE: 4:1		REV: 01