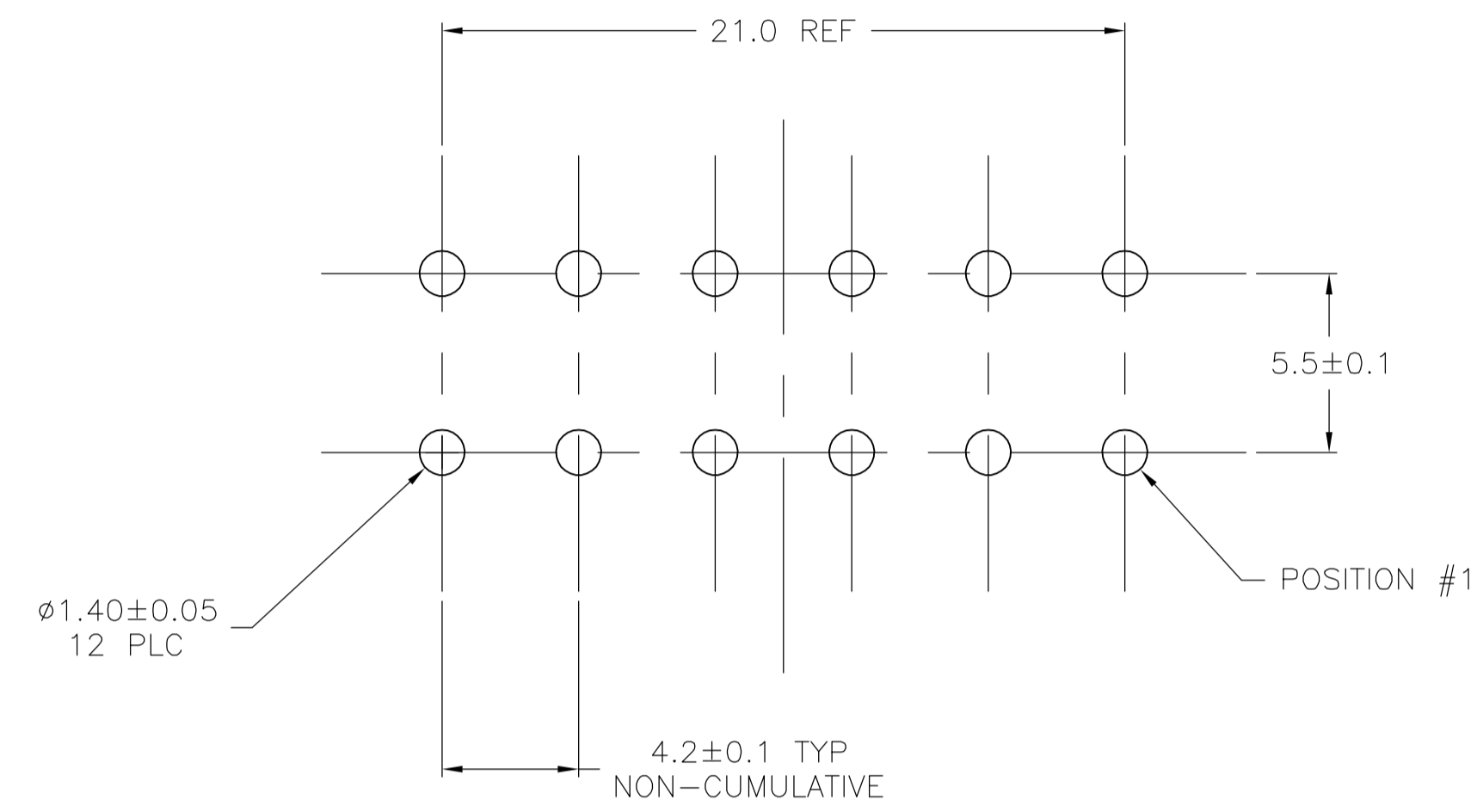
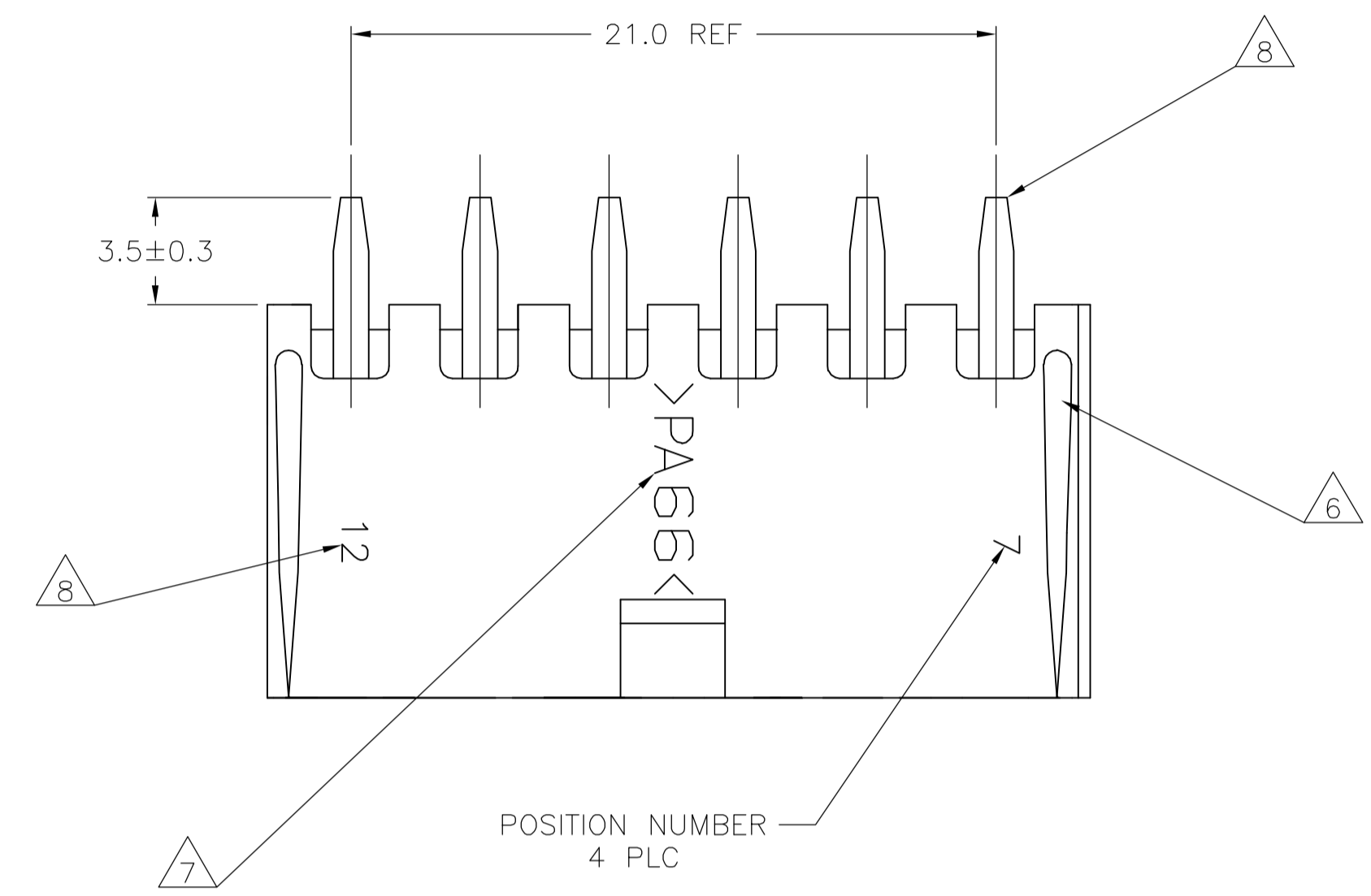
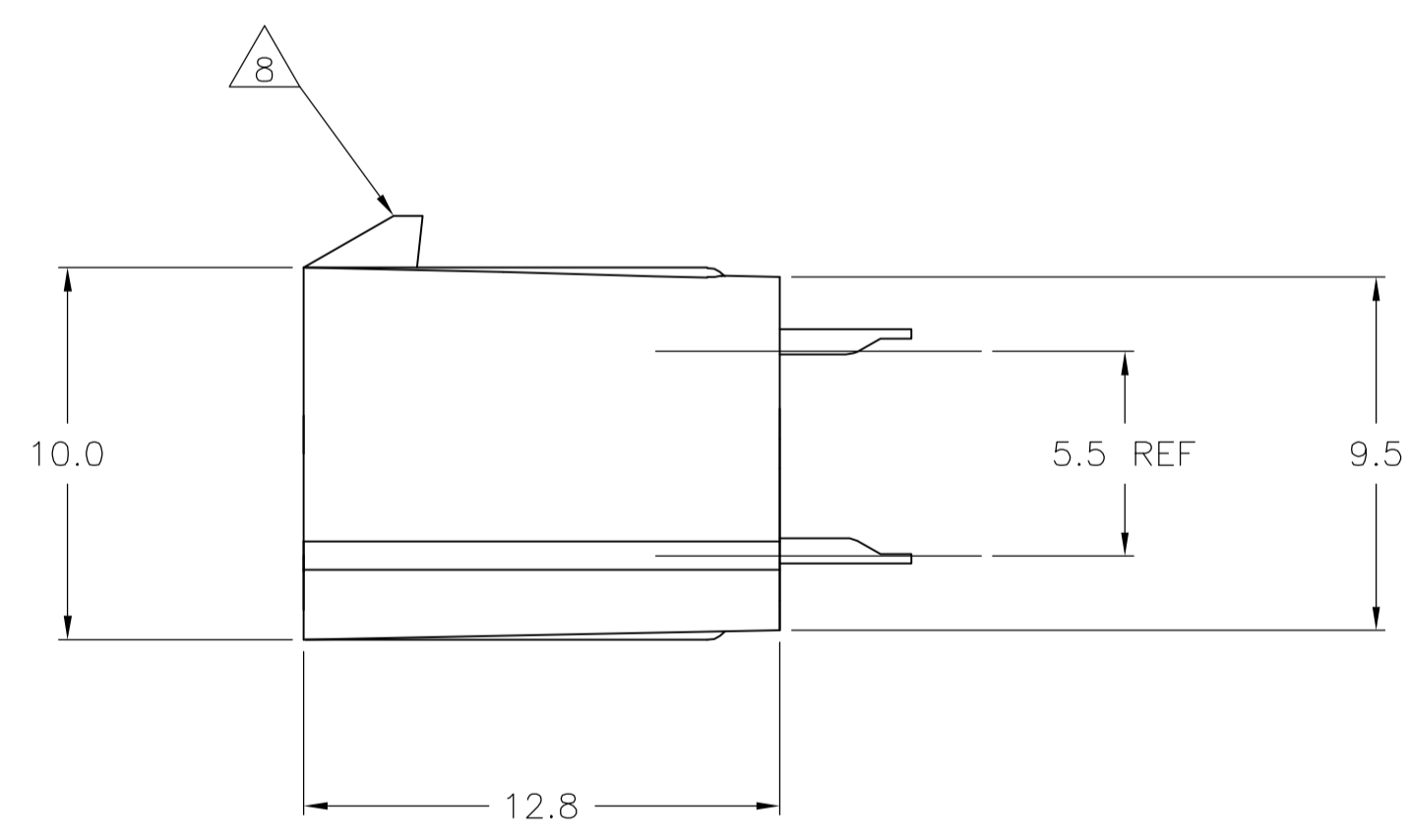
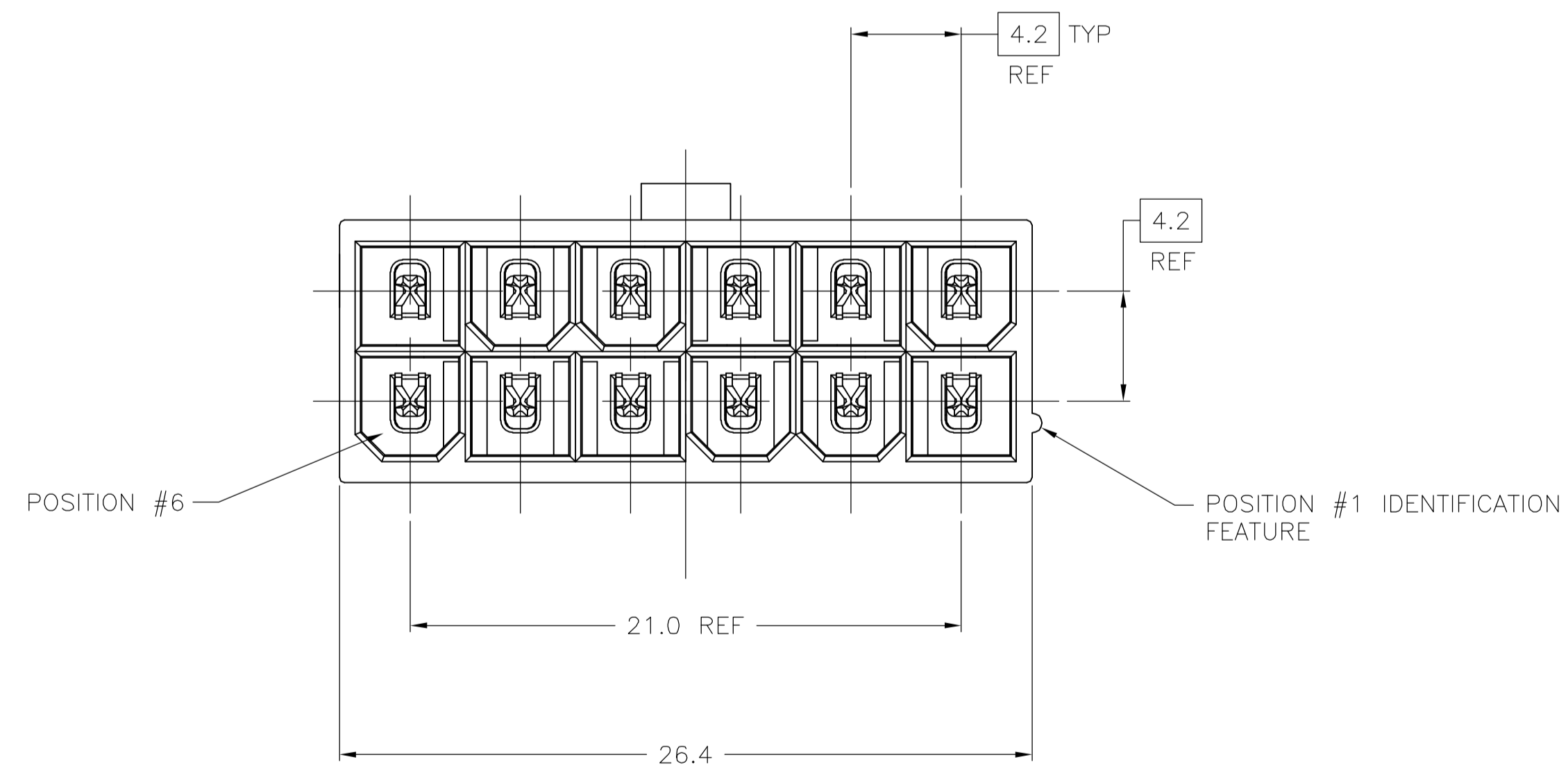


LOC		DIST		REVISIONS			
P	LTR	DESCRIPTION	DATE	DNW	APVD		
C		ECO-06-013157	19JUN06	BSV	DC		

- 1 MATERIAL:  
HOUSING: NYLON, UL94V-2 (COLOR - NATURAL, COLOR OF PARTS MAY VARY).  
CONTACTS: 0.25 THK COPPER ALLOY.
- 2 CONTACT FINISH: 0.003 MIN THK TIN-LEAD OVER 0.00127 MIN THK NICKEL OVER ENTIRE CONTACT.
- 3 CONTACT FINISH: 0.00076 MIN THK GOLD PLATE ON PIN MATING SURFACE, 0.003 MIN THK TIN-LEAD PLATE ON SOLDER TAIL, ALL OVER 0.00127 MIN THK NICKEL BASE PLATE.
- 4. SOLDER TAIL MEETS AMP SOLDERABILITY SPECIFICATION 109-11-2.
- 5. MATES WITH SIMILARLY PLATED AMP-DUAC™ POWER CONNECTOR RECEPTACLE HOUSINGS/SOCKET CONTACTS.
- 6 RIBS ON FOUR CORNERS OPTIONAL.
- 7 AMP LOGO AND MATERIAL ID MAY BE LOCATED ON EITHER LONG SIDE OF PART.
- 8 SIZE, SHAPE OR STYLE OF THIS FEATURE MAY VARY.
- 9 CONTACT FINISH: 0.003 MIN THK TIN OVER 0.00127 MIN THK NICKEL OVER ENTIRE CONTACT.
- 10 CONTACT FINISH: 0.00076 MIN THK GOLD PLATE ON PIN MATING SURFACE, 0.003 MIN THK TIN PLATE ON SOLDER TAIL, ALL OVER 0.00127 MIN THK NICKEL BASE PLATE.



RECOMMENDED MOUNTING HOLE PATTERN FOR 1.78 MAX THICK P.C. BOARD COMPONENT SIDE SHOWN



	1	10	1	1	1-794354-2
	1	9	1	1	1-794354-1
SUPERCEDED BY 1-794354-2	1	3	1	1	794354-2
SUPERCEDED BY 1-794354-1	1	2	1	1	794354-1
	MATERIAL	FINISH	MATERIAL	COLOR	PART NO.

CONTACT		HOUSING		PART NO.
THIS DRAWING IS A CONTROLLED DOCUMENT.		DIN R VESTAL 03JUN98	Tyco Electronics Corporation Harrisburg, Pa 17105-3608	
DIMENSIONS: mm		CHK R SWING 03JUN98	APVD C CASH 03JUN98	
TOLERANCES UNLESS OTHERWISE SPECIFIED:		NAME: ASSEMBLY, HEADER, VERTICAL, 12 POSITION, W/DRAIN HOLES, 94V-2, AMP-DUAC		
0 PLC ± -	1 PLC ± 0.2	PRODUCT SPEC: 108-1699		
2 PLC ± 0.13	3 PLC ± -	APPLICATION SPEC: -		
4 PLC ± -	ANGLES ± 0.30°	SIZE: A1	CAGE CODE: 00779	DRAWING NO: 794354
MATERIAL: SEE TABLE	FINISH: SEE TABLE	WEIGHT: -	SCALE: 5:1	SHEET 1 OF 1
CUSTOMER DRAWING		REV C		