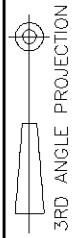


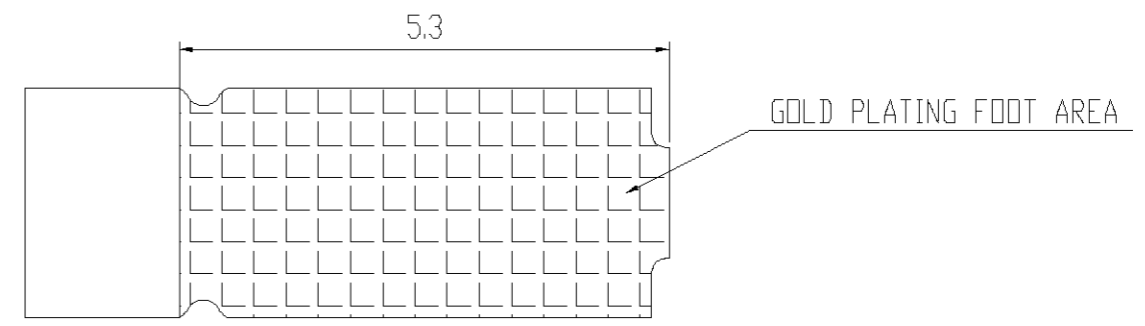
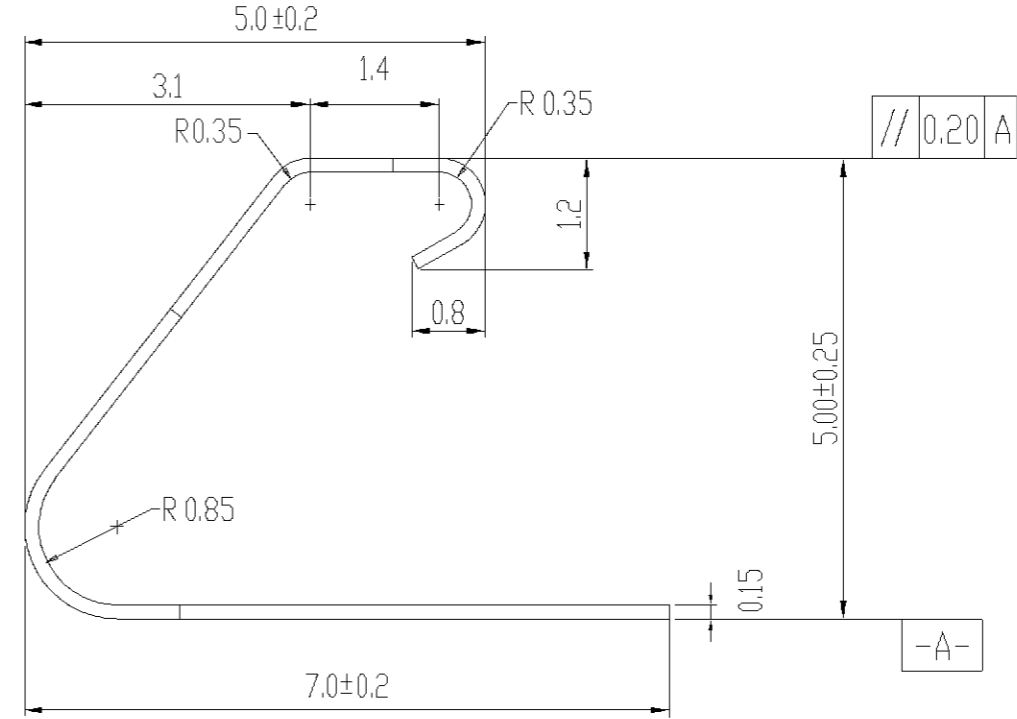
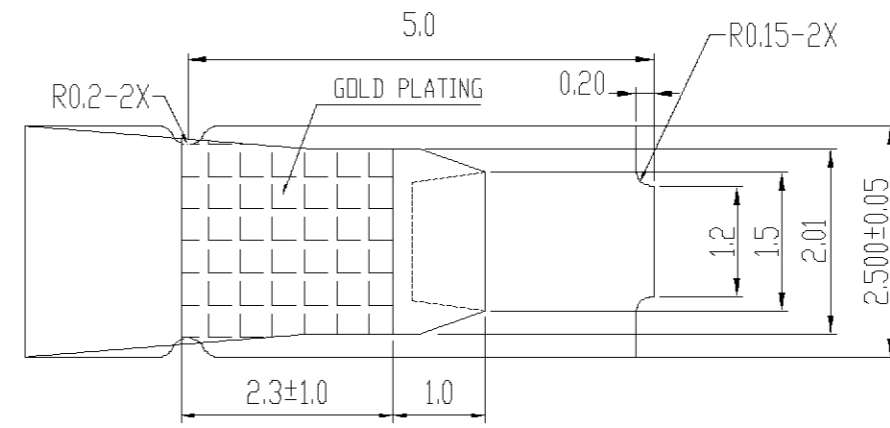
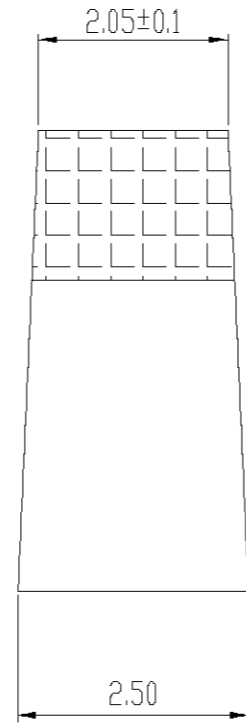
NUMBER
C-440423



METRIC

THIS INFORMATION IS CONFIDENTIAL AND IS DISCLOSED TO YOU ON CONDITION THAT NO FURTHER DISCLOSURE IS MADE BY YOU TO OTHER THAN AMP PERSONNEL WITHOUT WRITTEN AUTHORIZATION FROM AMP (TAIWAN) LTD. DIMENSION IN MILLIMETERS. DO NOT SCALE PRINT.

PRINT
DW



NOTES:

- SHIELD FINGER: MATERIAL - COPPER ALLOY, 0.15±0.01MM THK
PLATING FINISH - 30u"-50u" OVER ALL ALLOY NICKEL PLATING
2u" GOLD PLATING MIN ON THE CONTACT AND FOOT AREA
- CURRENT RATING: 1 AMP
- TEMPERATURE RATING: -40° TO +105°C

O	FIRST RELEASED	FW00-0075-00	AW/JC	31AUG 2000
LTR	REVISION RECORD	ECN	DR/CHK	DATE

DIMENSION :	DR.
0 PLC ±	A. WU 31-AUG-2000
1 PLC ±0.13	CHK. J. CHENG 31-AUG-2000
2 PLC ±0.05	APP. J. WU 31-AUG-2000
3 PLC ±0.03	
ANGLES ±2°	
MATERIAL	PRODUCT SPEC
SEE NOTE	
FINISH	APPLICATION SPEC
SEE NOTE	
	WEIGHT

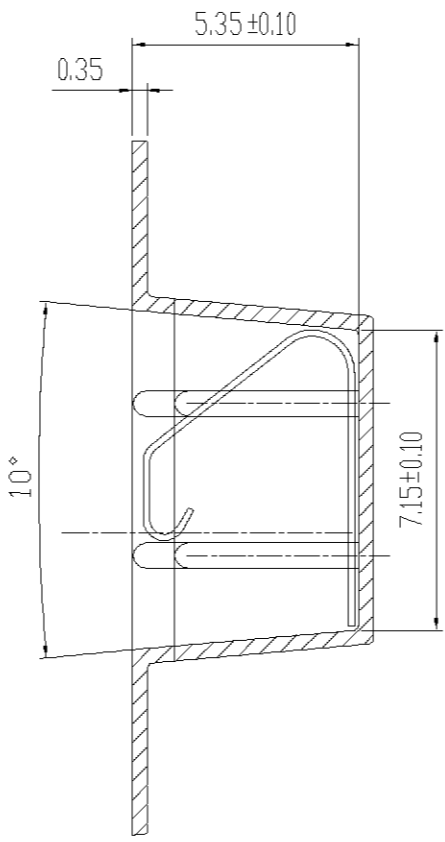
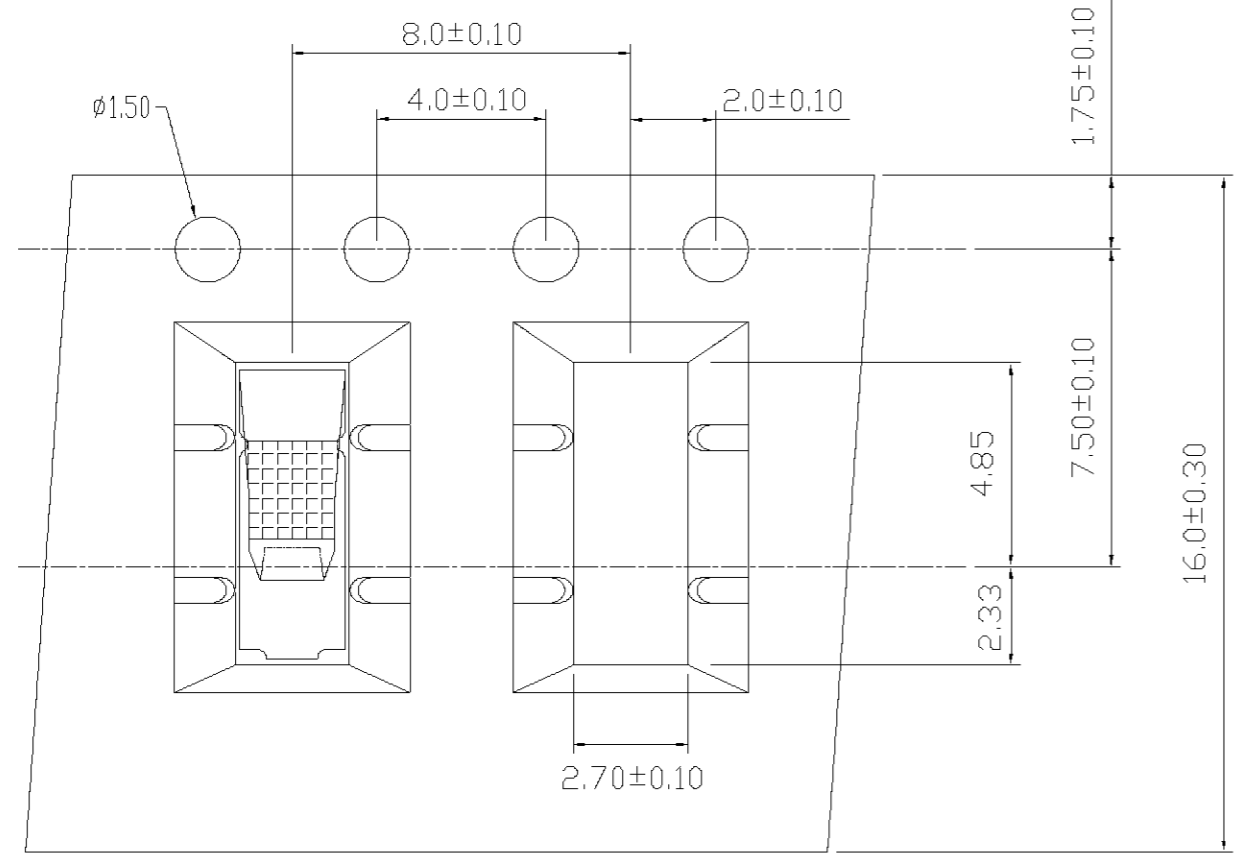
PART NUMBER		440423-1	
AMP		AMP INCORPORATED. IPO	
NAME			
SHIELD FINGER 5025			
LOC	SIZE	DRAWING NO	REV
DW	A ₃	C-440423	O
SCALE		SHEET	
--		1 OF 2	

NUMBER
C-440423

METRIC
3RD ANGLE PROJECTION

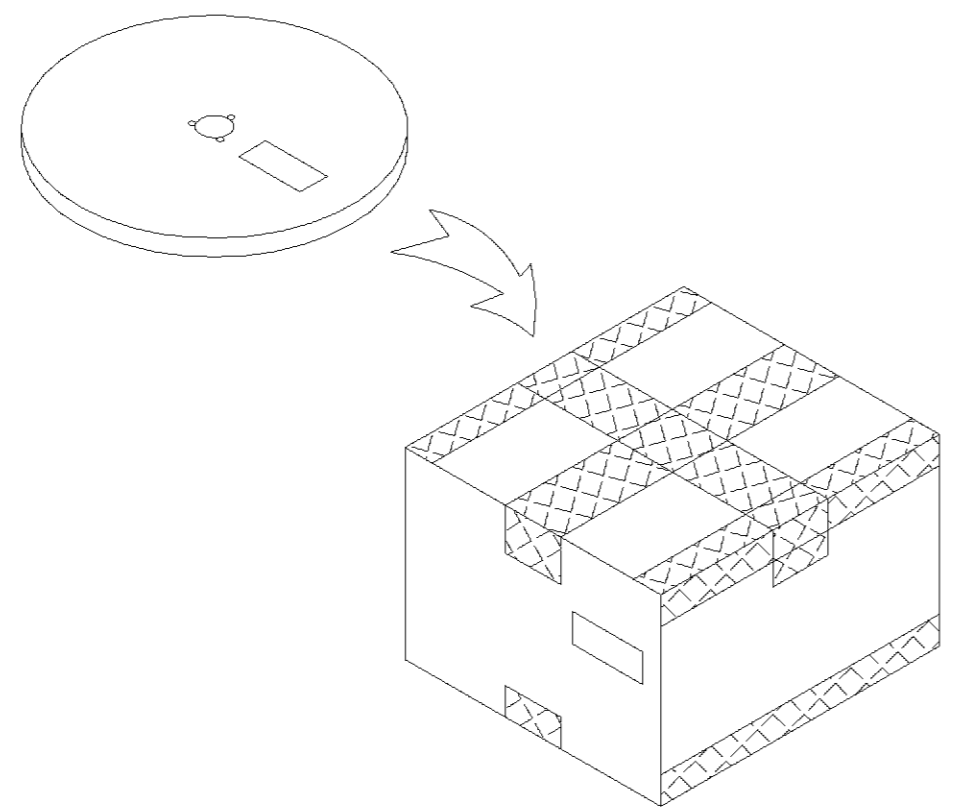
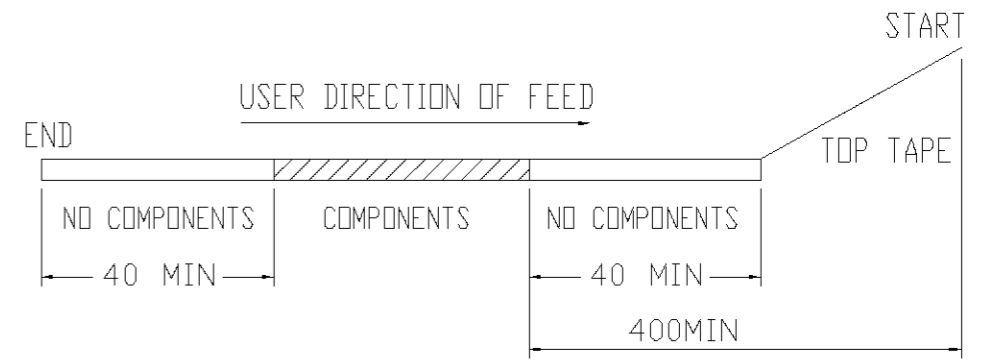
THIS INFORMATION IS CONFIDENTIAL AND IS DISCLOSED TO YOU ON CONDITION THAT NO FURTHER DISCLOSURE IS MADE BY YOU TO OTHER THAN AMP PERSONNEL WITHOUT WRITTEN AUTHORIZATION FROM AMP (TAIWAN) LTD. DIMENSION IN MILLIMETERS. DO NOT SCALE PRINT.

PRINT
DW

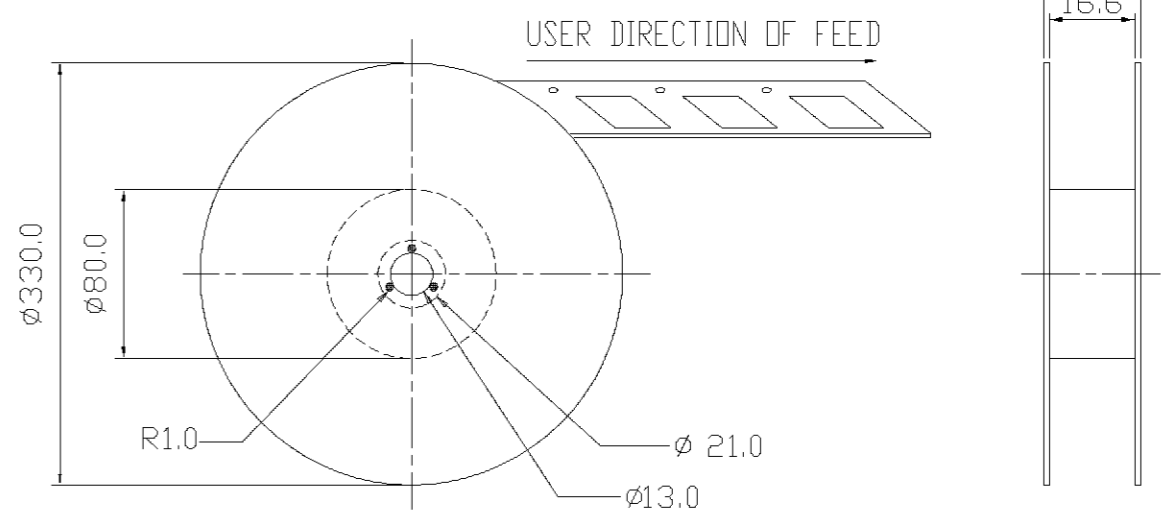


NOTES:

1. APPLICATION: SHIELD FINGER 5025 ON CONTINUOUS TAPES
2. NO. OF PKG: 10 REEL MAX
3. MATERIAL : BOX - CARDBOARD
CARRIER TAPE - ACRYLIC FILM
TOP TAPE - PET FILM
REEL - PLASTIC
4. DIMENSION: BOX - 345X345X240
LABEL - 70X100
REEL - Ø330X20.0
5. GENERAL TOLERANCE: ±0.3
6. PACKING STYLE: 1500 PCS/REEL



REEL DIMENSION: REFERENCE ONLY



SEE SHEET 1.	ECN	DR/CHK	DATE
LTR	REVISION RECORD		

DIMENSION :		DR. A. WU		AMP INCORPORATED. IPO	
0 PLC ±		31-AUG-2000		NAME	
1 PLC ±		CHK. J. CHENG		SHIELD FINGER 5025	
2 PLC ±		31-AUG-2000		REV O	
3 PLC ±		APP. J. WU		LOC	
ANGLES ±1°		31-AUG-2000		SIZE A ₃	
MATERIAL		PRODUCT SPEC		DRAWING NO C-440423	
SEE NOTE		APPLICATION SPEC		SCALE	
FINISH		WEIGHT		SHEET 2 OF 2	