

MODEL NUMBER
ADT-2542-7M-SMM-02

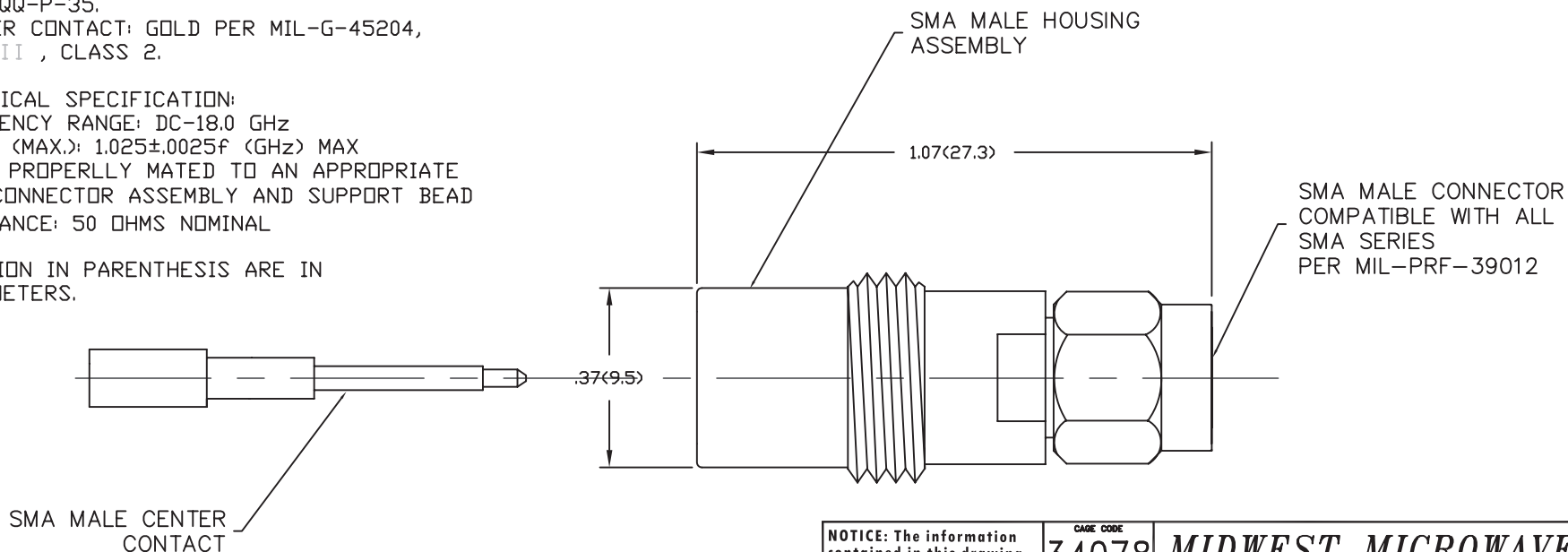
NOTES:

- 1.0 MATERIALS: (ALL PER MIL-PRF-39012)
- 1.1 HOUSING: STAINLESS STEEL PER ASTM-A582, TYPE 303.
- 1.2 CENTER CONTACT: BERYLLIUM COPPER ROD ALLOY C172, PER ASTM-B194.
- 1.3 DIELECTRIC: PTFE FLUOROCARBON PER ASTM-D1457.

- 2.0 PLATING: (ALL PER MIL-PRF-39012)
- 2.1 HOUSING: PASSIVATED PER MIL-F-14072 AND QQ-P-35.
- 2.2 CENTER CONTACT: GOLD PER MIL-G-45204, TYPE II, CLASS 2.

- 3.0 ELECTRICAL SPECIFICATION:
- 3.1 FREQUENCY RANGE: DC-18.0 GHz
- 3.2 VSWR (MAX.): $1.025 \pm 0.0025f$ (GHz) MAX WHEN PROPERLY MATED TO AN APPROPRIATE 7mm CONNECTOR ASSEMBLY AND SUPPORT BEAD
- 3.3 IMPEDANCE: 50 OHMS NOMINAL

- 4.0 DIMENSION IN PARENTHESIS ARE IN MILLIMETERS.




REV.	DESCRIPTION	DATE
-	RELEASED	9/7/01

NOTICE: The information contained in this drawing is proprietary and must not be used without the permission of Cinch Connectivity Solutions.

UNLESS OTHERWISE NOTED DIMENSIONS ARE IN INCHES AND TOLERANCES ARE:

3 PLACE DECIMALS ±.005
 2 PLACE DECIMALS ±.02
 FRACTIONS ±1/64
 PARALLELITY: T.I.R.
 FLATNESS: T.I.R.
 CONCENTRICITY: T.I.R.
 ANGLES AND PERPENDICULARITY: ±1°

CAGE CODE 34078		MIDWEST MICROWAVE	
		TITLE ADAPTER - REBUILD KIT FOR 7MM TO SMA MALE OUTLINE DRAWING	
		DRAWING NUMBER ADT-2542-7M-SMM-02-01	
DRAWN/DATE J.VERNON 6/22/98	ENG./DATE C.RIGGE 9/7/01	REV. -	
CHECKED/DATE	APPROVED/DATE	SCALE: 5=1	SHEET 1 of 1