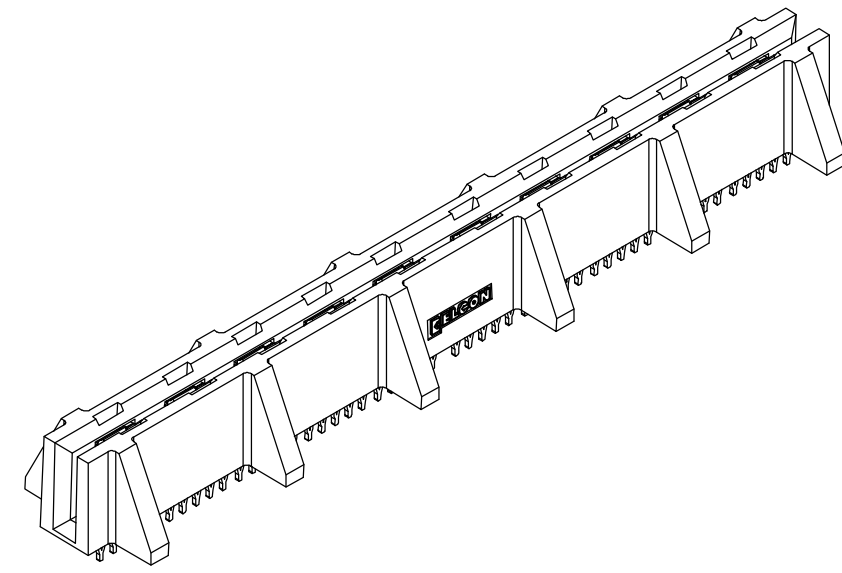


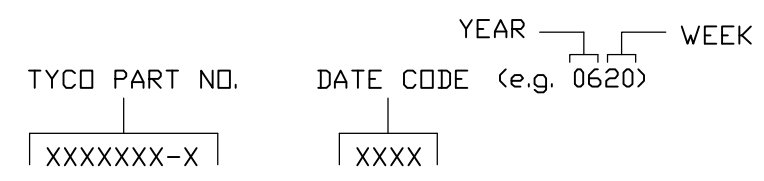
THIS DRAWING IS UNPUBLISHED. RELEASED FOR PUBLICATION  
 © COPYRIGHT BY TYCO ELECTRONICS CORPORATION. ALL RIGHTS RESERVED.

LOC	DIST	REVISIONS					
GP	00	P	LTR	DESCRIPTION	DATE	DWN	APVD
		A		RELEASED	20APR06	RG	SF



NOTES: UNLESS OTHERWISE SPECIFIED;

- PART NUMBER CHANGES AND OR DESIGN CHANGES AFFECTING ITEM INTERCHANGEABILITY REQUIRE PRIOR TYCO APPROVAL AND AUTHORIZATION BY REVISION TO THIS DRAWING.
- MATERIALS:  
 INSULATORS: THERMOPLASTIC, GLASS REINFORCED, COLOR-BLACK, UL94V-0 FLAMMABILITY RATED.  
 POWER CONTACTS: PHOSPHOR-BRONZE ALLOY, COPPER ALLOY.  
 CROWN BANDS: BERYLLIUM-COPPER ALLOY.
- FINISHES:  
 CONTACTS: GOLD PLATE .000030" MIN. THK, OVER NICKEL .000040" MIN. THICKNESS.  
 TERMINALS: TIN PLATE, MATTE FINISH 000100" MIN. THICKNESS.
- SOCKET CONNECTORS ACCEPT 1.60 [0.062"] ±10% THK PC BOARD.
- ITEMS PROVIDED TO THIS SPECIFICATION TO BE PERMANENTLY IDENTIFIED PER THE FOLLOWING IDENTIFIER.



POSITION P9 IS UNPOPULATED.

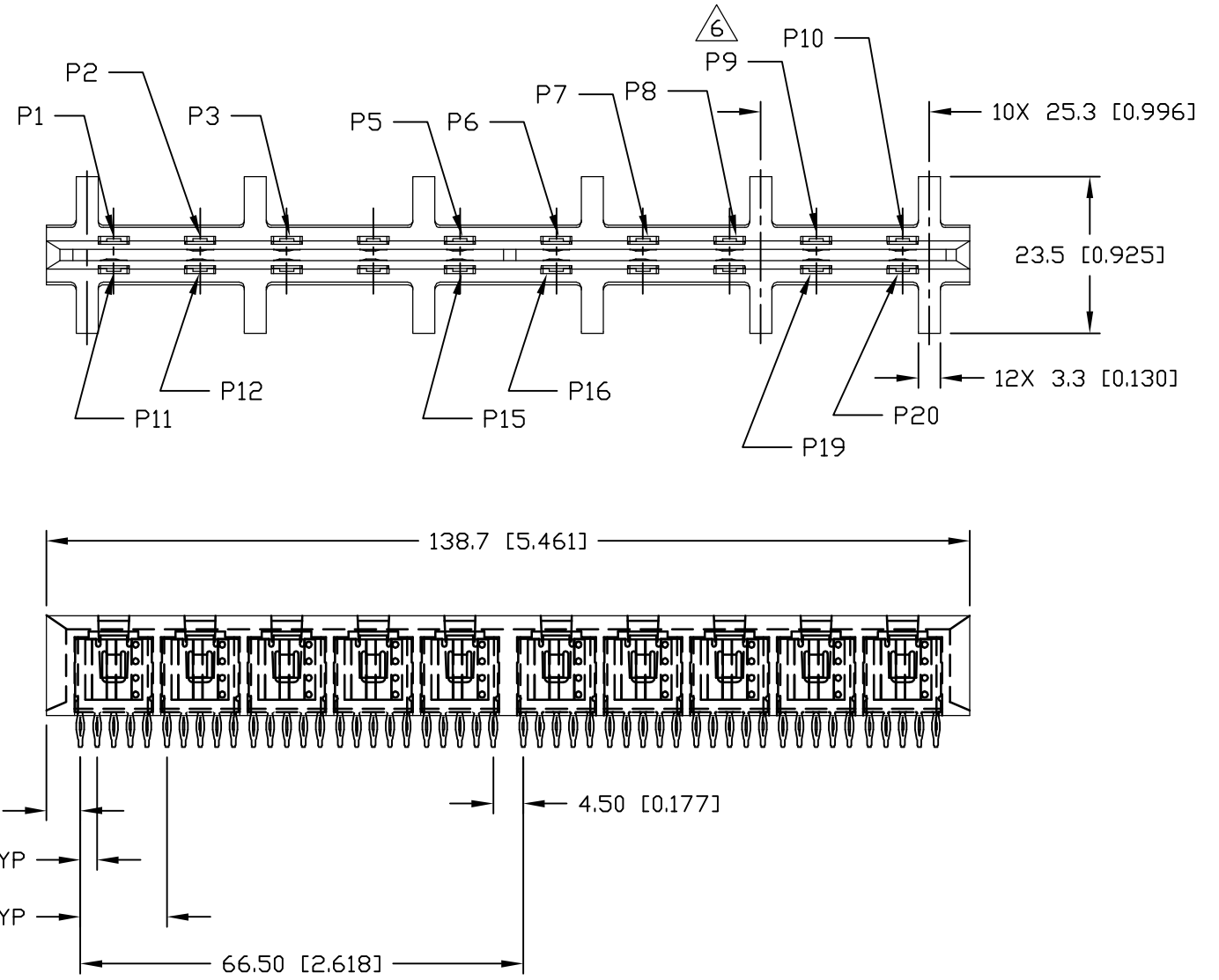
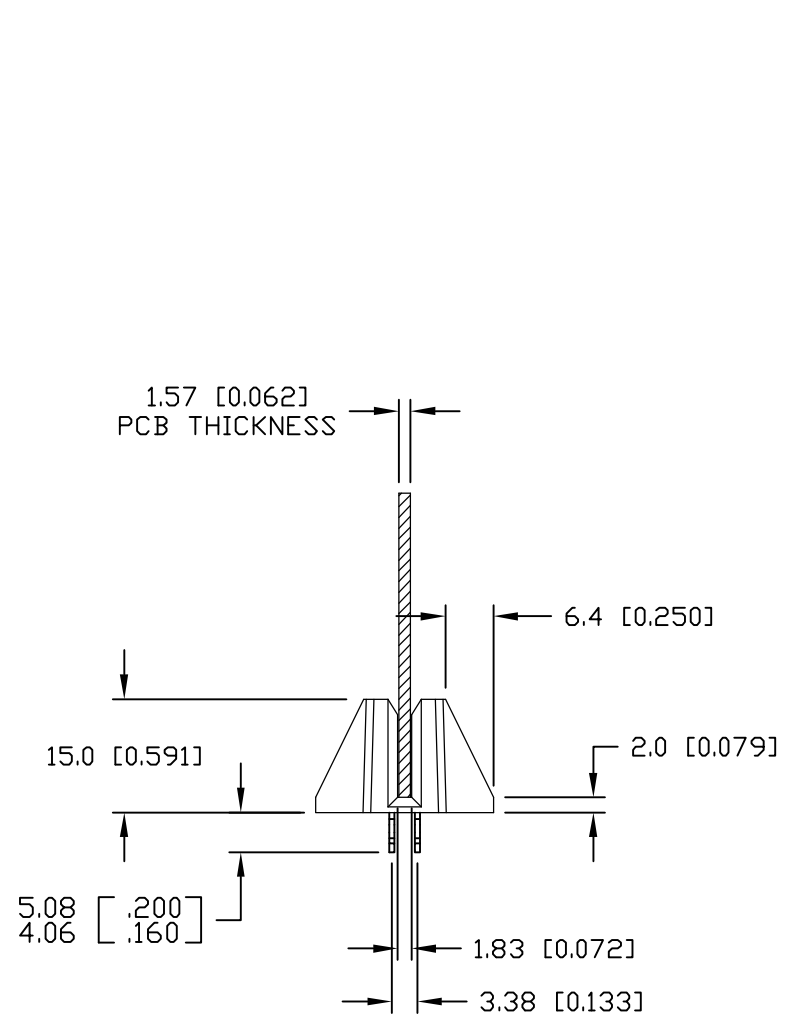
1926135-1  
PART NUMBER

ELCON CROWN EDGE

THIS DRAWING IS A CONTROLLED DOCUMENT.		DWN R.GRZYBOWSKI 20APR06	Tyco Electronics Corporation Harrisburg, PA 17105-3608	
DIMENSIONS: mm		CHK S.FLICKINGER 20APR06		
TOLERANCES UNLESS OTHERWISE SPECIFIED:		APVD S.FLICKINGER 20APR06	NAME	
0 PLC ± - 1 PLC ± .5 [.020] 2 PLC ± .25 [.010] 3 PLC ± - 4 PLC ± - ANGLES ± .5		PRODUCT SPEC	CONNECTOR, SOCKET SIDE ENTRY CROWN EDGE	
MATERIAL		APPLICATION SPEC	SIZE	RESTRICTED TO
FINISH		WEIGHT	CAGE CODE	DRAWING NO
-		-	A3 00779	C=1926135
CUSTOMER DRAWING			SCALE 1:1	SHEET 1 OF 3
			REV A	

THIS DRAWING IS UNPUBLISHED. RELEASED FOR PUBLICATION  
 © COPYRIGHT BY TYCO ELECTRONICS CORPORATION. ALL RIGHTS RESERVED.

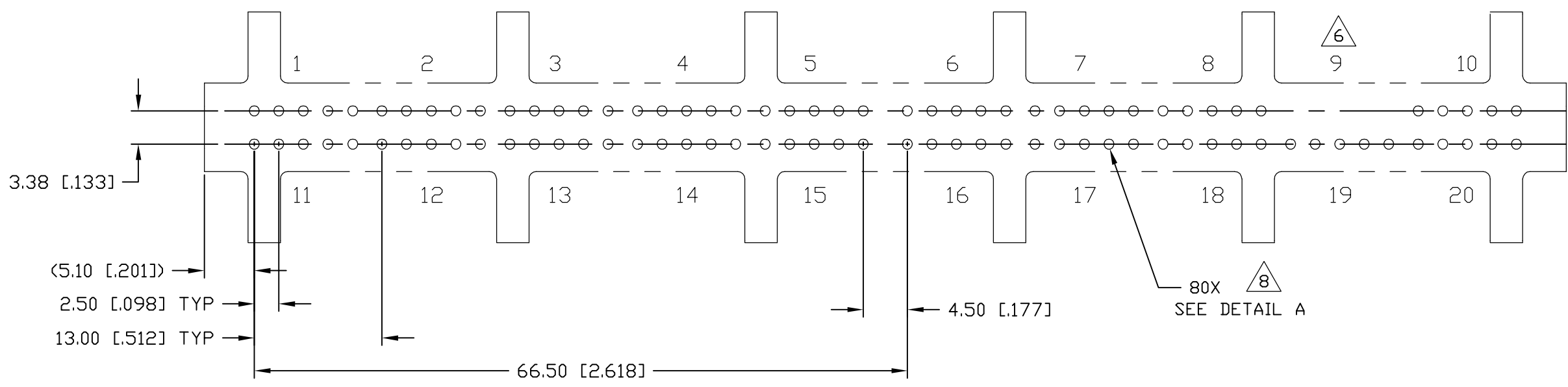
LOC	DIST	REVISIONS					
GP	00	P	LTR	DESCRIPTION	DATE	DWN	APVD
		-		SEE SHEET 1	-	-	-



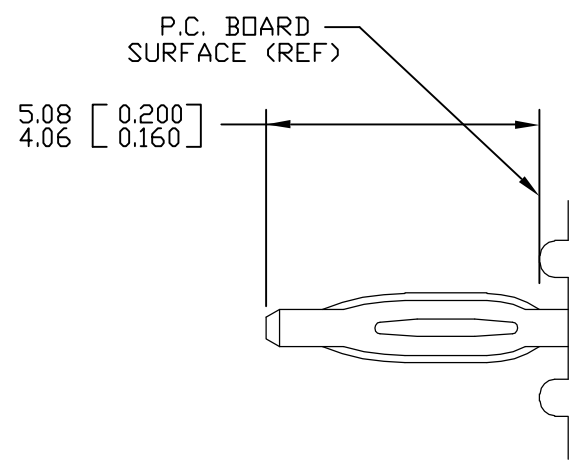
THIS DRAWING IS A CONTROLLED DOCUMENT.		DWN	R.GRZYBOWSKI	20APR06		Tyco Electronics Corporation	
DIMENSIONS: mm		CHK	S.FLICKINGER	20APR06		Harrisburg, PA 17105-3608	
		APVD	S.FLICKINGER	20APR06		NAME	
TOLERANCES UNLESS OTHERWISE SPECIFIED:		PRODUCT SPEC		-		CONNECTOR, SOCKET	
0 PLC ± -		APPLICATION SPEC		-		SIDE ENTRY	
1 PLC ± .5 [.020]		WEIGHT		-		CROWN EDGE	
2 PLC ± .25 [.010]		SIZE		A3	CAGE CODE		DRAWING NO
3 PLC ± -		CUSTOMER DRAWING		00779		G-1926135	
4 PLC ± -		SCALE		1:1		SHEET	
ANGLES ± .5		RESTRICTED TO		-		2 OF 3	
FINISH		REV		A			

THIS DRAWING IS UNPUBLISHED. RELEASED FOR PUBLICATION  
 © COPYRIGHT - BY TYCO ELECTRONICS CORPORATION. ALL RIGHTS RESERVED.

LOC	DIST	REVISIONS					
GP	00	P	LTR	DESCRIPTION	DATE	DWN	APVD
		-		SEE SHEET 1	-	-	-



SUGGESTED PCB LAYOUT  
 SCALE 2=1



7. COMPLIANT PIN DETAIL  
 INSERTION/EXTRACTION FORCES  
 MAXIMUM PUSH-IN: 133.3N PER PIN  
 [30 LBS]  
 MINIMUM PUSH-OUT: 44.4N PER PIN  
 [10 LBS]

8 DETAIL A

SOLDER TERMINATION AREA  
 RECOMMENDED PRINTED CIRCUIT HOLE  
 DRILLED HOLE:  $\phi 1.15$  [0.0453]  $\pm 0.13$  [0.005]  
 COPPER PLATE: .025 [0.0010] - .050 [0.0020] (PER SURFACE)  
 TIN PLATE: .0005 [0.00002] MINIMUM (PER SURFACE)

THIS DRAWING IS A CONTROLLED DOCUMENT.		DWN	R.GRZYBOWSKI	20APR06	Tyco Electronics Corporation Harrisburg, PA 17105-3608					
DIMENSIONS: mm		CHK	S.FLICKINGER	20APR06				NAME CONNECTOR, SOCKET SIDE ENTRY CROWN EDGE		
TOLERANCES UNLESS OTHERWISE SPECIFIED:		APVD	S.FLICKINGER	20APR06	SIZE	CAGE CODE	DRAWING NO			
0 PLC $\pm -$ 1 PLC $\pm .5$ [.020] 2 PLC $\pm .25$ [.010] 3 PLC $\pm -$ 4 PLC $\pm -$ ANGLES $\pm .5$		PRODUCT SPEC		-		-		-		
MATERIAL		FINISH		WEIGHT		-		-		
-		-		-		A3 00779 C-1926135		-		
CUSTOMER DRAWING					SCALE	1:1	SHEET	3 OF 3	REV	A