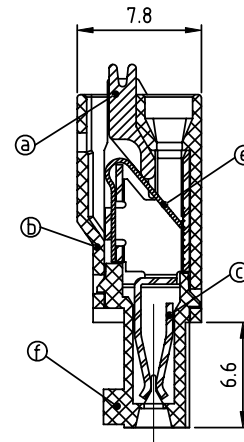
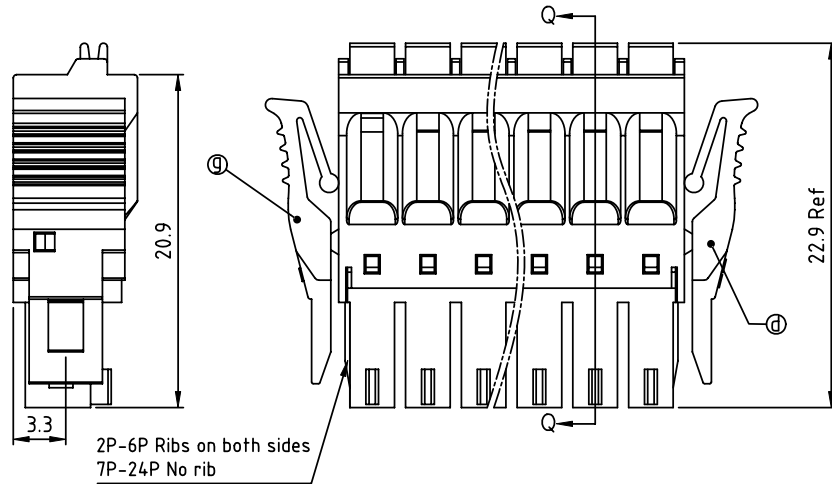
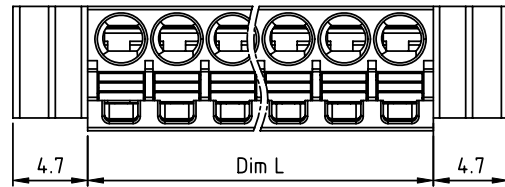


PRODUCT NUMBER	PITCH
KDxx10x200J0G	3.50 mm

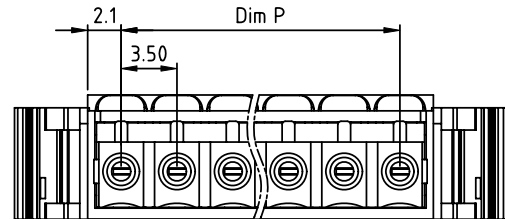
Dim L=(N-1)×3.5+4.2	
Dim P=(N-1)×3.5	
N=Number of poles	
POLES	Tolerance
2p-6p	±0.15
7p-12p	±0.25
13p-18p	±0.30
19p-24p	±0.40

PART NO.: KD xx 1 0 x 2 00J0 G

↓	↓	↓
Solid block	Housing Color	RoHS compliant
No. of poles	0 Black (RAL9005)	(lead<4%)
02 2 poles	5 Green(RAL6018/T)	In copper Alloy
03 3 poles	6 Blue (RAL5015/A)	
...	8 Grey(RAL7035/D)	
24 24 poles		



Section Q-Q



Material:

- Item A Terminal lever: Thermoplastic (UL94V-0) Orange (RAL2011/P)
- Item B Top housing: Thermoplastic (UL94V-0)
- Item C Female Contact: PhBz, Bright Tin plated over Nickel Plated
- Item D Terminal Right Latch: Thermoplastic (UL94V-0)
- Item E Spring clamp: Stainless steel
- Item F Bottom housing: Thermoplastic (UL94V-0)
- Item G Terminal Left Latch: Thermoplastic (UL94V-0)

- Electrical: cULus
- Voltage rating: 160 V
 - Current rating: 5.5A
 - Wire range:
 - Solid wire(AWG): 16-24
 - Stranded wire(AWG): 16-24
 - Wire strip length: 9-10 mm
 - Withstanding Voltage: 1.32 KV
 - Operating temperature: -40°C to +115°C
 - Safety Approval:

mat'l. code		surface ASME Y14.5 ✓	tolerance ASME Y14.5	projection 	product family TERMINAL BLOCK
ltr	ecn no	dr	date	tolerances unless otherwise specified	title TERMINAL BLOCK SPRING CLAMP, PLUGGABLE PLUG, WITH LATCH
B	T-24174	HF	052816		
		angles	X.±0.5	MM	scale
			X.X±0.3		
		X*±1*	X.XX±0.1	dwg no KDxx10x200J0G	
		dr	EVIN ZHONG 052014	sheet 1 of 1 size A4	
		enr	EVIN ZHONG 052014	FCI	
		chr	HANKE FENG 052014	type CUSTOMER Drawing	
		appd	SHI JUN 052014		
sheet index	revision	B			
	sheet	1			