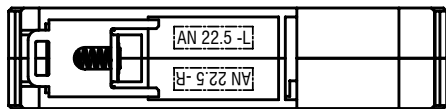
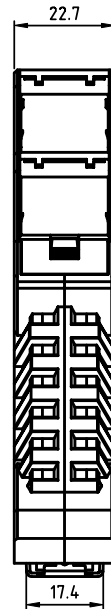
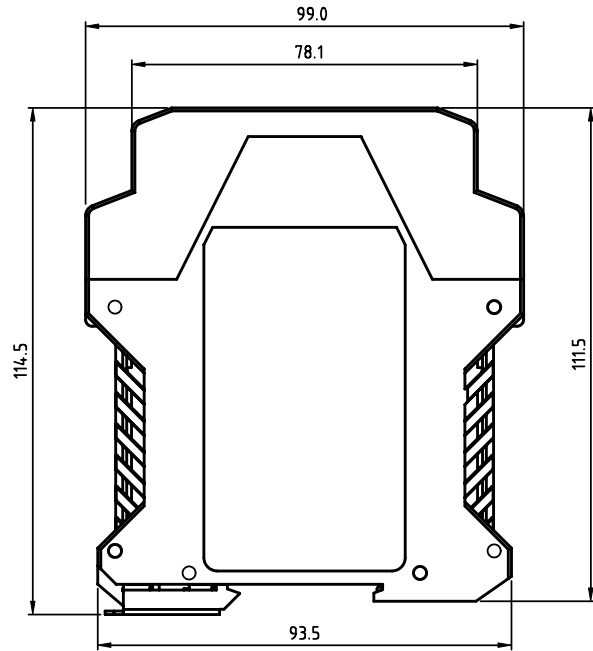
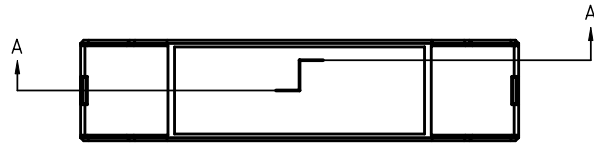
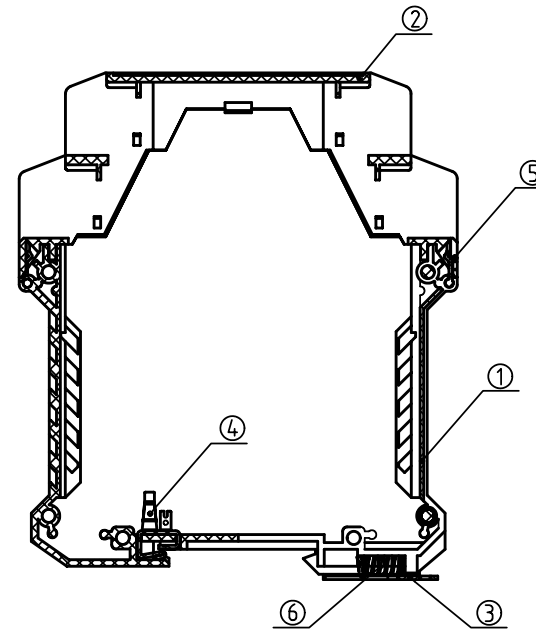


PRODUCT NUMBER	PITCH
AN00005000J0G	NA



Material:

- Item ① Terminal body: Thermoplastic (UL94 V-0) Color: Green(RAL6018/T)
- Item ② Terminal cover: Thermoplastic (UL94 V-0) Color: Green(RAL6018/T)
- Item ③ Dinrail wire guard: Steel Zinc plated
- Item ④ Contacts: PhBz Tin plated
- Item ⑤ Terminal card: Thermoplastic (UL94 V-0) Color: Green(RAL6018/T)
- Item ⑥ Spring: Stainless steel



SECTION A-A

mat'l. code		surface ASME Y14.5	tolerance ASME Y14.5	projection MM	product family TERMINAL BLOCK
ltr	ecn no	dr	date		title TERMINAL BLOCK ACCESSORIES, MATCH WITH EU 4(RIGHT AND LEFT)
		angles	X.±0.5	scale	dwg no AN00005000J0G size A4
		X*±1°	X.XX±0.3		
		dr	EVIN ZHONG 070814		type CUSTOMER Drawing
		enr	EVIN ZHONG 070814		
		chr	HANKE FENG 070814		
		appd	SHI JUN 070814		
sheet index	revision sheet	A	1		