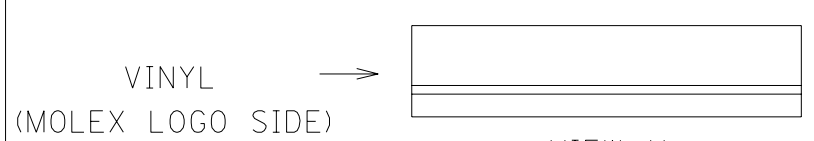


DWG. NO. SD-35303-001

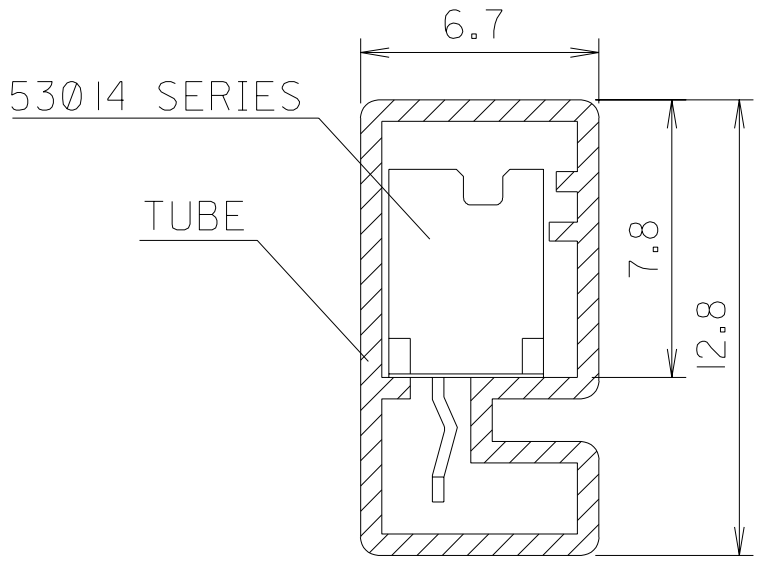
SIMILAR ITEM

PROJECT NO.



NOTES
 1. TUBE : STOPPER & VINYL LOCKING TYPE
 2. THICKNESS : 0.6+
 3. LENGTH : 550mm

LEGEND 35303-*** 5 *
 COLOR : 0 --- NATURAL
 1 --- BLACK
 2 --- RED
 3 --- YELLOW
 4 --- BLUE
 CKT (02, 03, 04, ...)



15	35303155*	35303-155*	8	35303085*	35303-085*	53014 SERIES	
14	35303145*	-145*	7	35303075*	-075*		
13	35303135*	-135*	6	35303065*	-065*		
12	35303125*	-125*	5	35303055*	-055*		
11	35303115*	-115*	4	35303045*	-045*		
10	35303105*	-105*	3	35303035*	-035*		
9	35303095*	35303-095*	2	35303025*	35303-025*		
CKTS	MAT'L NO.	ENG NO.	CKTS	MAT'L NO.	ENG NO.		USED ON

NEW RELEASED EC NO. KOR2004-0124 DRWN: K.S.KIM (040324) CH'K: J.K.OH APPR: C.W.LEE	DESCRIPTION MAJOR CRITICAL	GENERAL TOLERANCES: (UNLESS SPECIFIED)		SCALE NONE	DESIGN UNITS <input checked="" type="checkbox"/> mm <input type="checkbox"/> INCH	<input type="checkbox"/> THIRD ANGLE <input checked="" type="checkbox"/> PROJECTION	DIMENSIONS: <input type="checkbox"/> mm <input type="checkbox"/> INCH <input checked="" type="checkbox"/> mm ONLY	SHT REV
		4 PLACES $\pm 0.$ mm \pm INCH	DRAWN BY & DATE H.S.SHIN (910220)		TITLE: TUBE PACKAGED FOR 53014 SERIES			REVISE ON CAD ONLY
		3 PLACES $\pm 0.$ mm \pm INCH	CHECKED BY & DATE J.K.OH					
		2 PLACES $\pm 0.$ mm \pm INCH	APPROVED BY & DATE C.W.LEE		MOLEX INCORPORATED KOREA			SHEET NO. 1 OF 1
1 PLACE $\pm 0.$ mm \pm INCH	CAD FILENAME SD-35303-001		MATERIAL NO. SEE TABLE	DRAWING NO. SD-35303-001				
A	REV	ANGULAR: \pm °		DRAFT WHERE APPLICABLE MUST REMAIN WITHIN DIMENSIONS			THIS DRAWING CONTAINS INFORMATION THAT IS PROPRIETARY TO MOLEX INCORPORATED AND SHOULD NOT BE USED WITHOUT WRITTEN PERMISSION.	
								SIZE A

