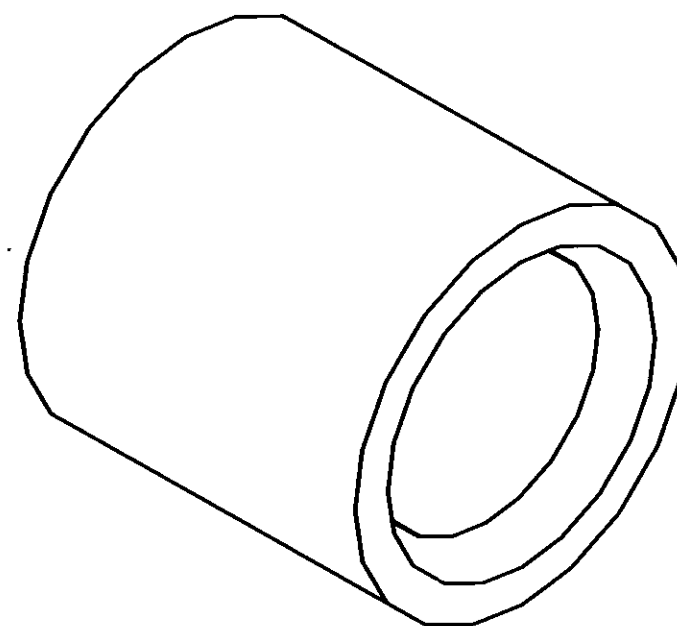
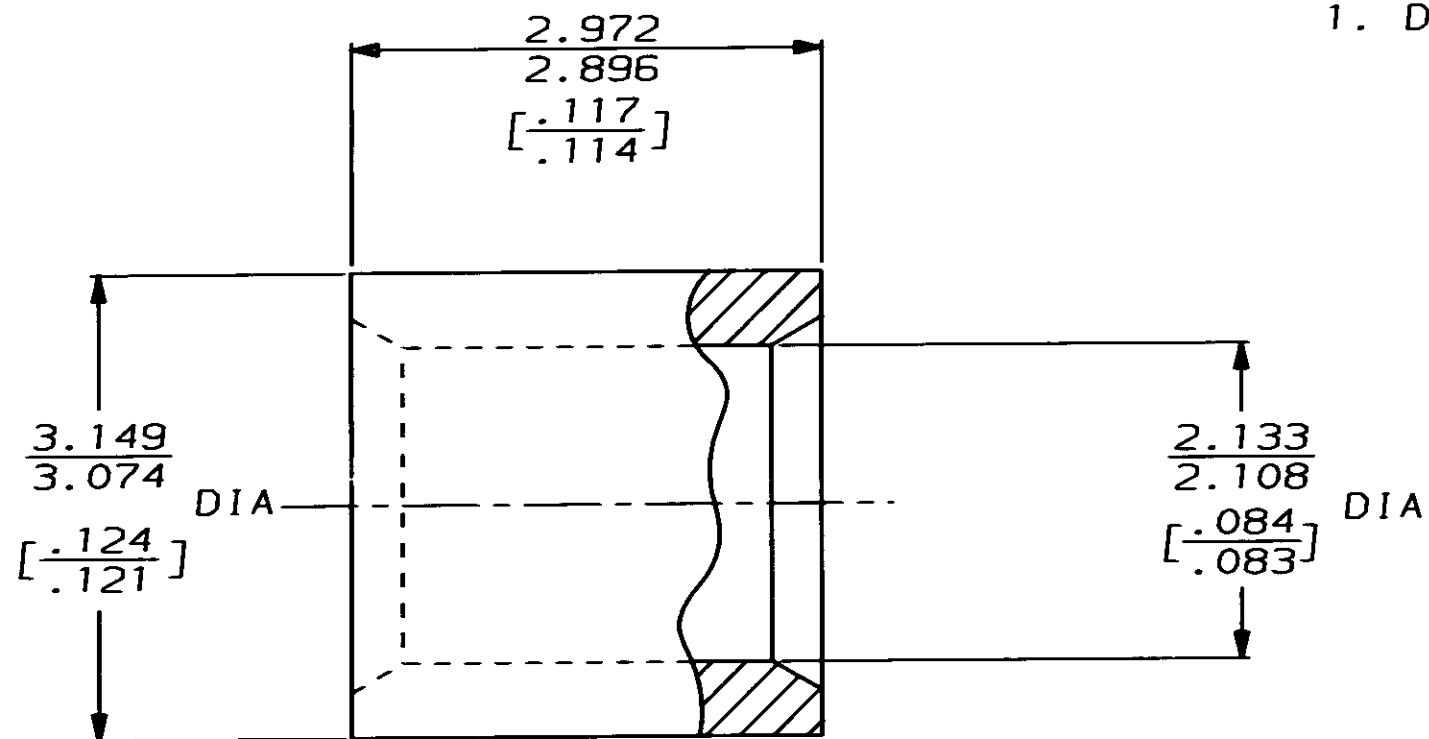


THIS DRAWING IS UNPUBLISHED. RELEASED FOR PUBLICATION, 19 .
 © COPYRIGHT 19 BY AMP INCORPORATED. ALL INTERNATIONAL RIGHTS RESERVED.

LOC	DIST	P	F	ZONE	LTR	REVISIONS	DATE	APPD
CE	16				B	REV PER CE-1490		
					C	REV PER CE-2238	7-2-91	WE-RH

1. DIMENSIONS IN [] ARE IN INCHES



METRIC

DO NOT SCALE PRINT. UNLESS SPECIFIED DIMENSIONS IN mm TOLERANCES ON: 2 PLC DEC ± - 3 PLC DEC ± - ANGLES ± -		DR J ZIEDERS 12/20/88	501048-1	
MATERIAL ACETAL, DELRIN	CHK J GERACE 12/23/87	AMP INCORPORATED Harrisburg, Pa. 17105	PART NO	
FINISH -	APPD M BEARD 12/23/87	ALIGNMENT SLEEVE, HALF, FSMA-II, OPTIMATE		
	APPD K MONROE 12/23/87	NAME	SIZE B	FSCM NO 00779
	PRODUCT SPEC -	DRAWING NO	SCALE NTS	501048
	APPLICATION SPEC -	SHEET	1 OF 1	
	WEIGHT -			

CUSTOMER DRAWING