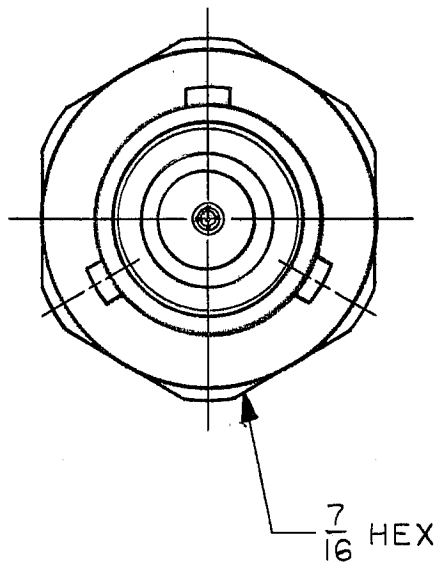
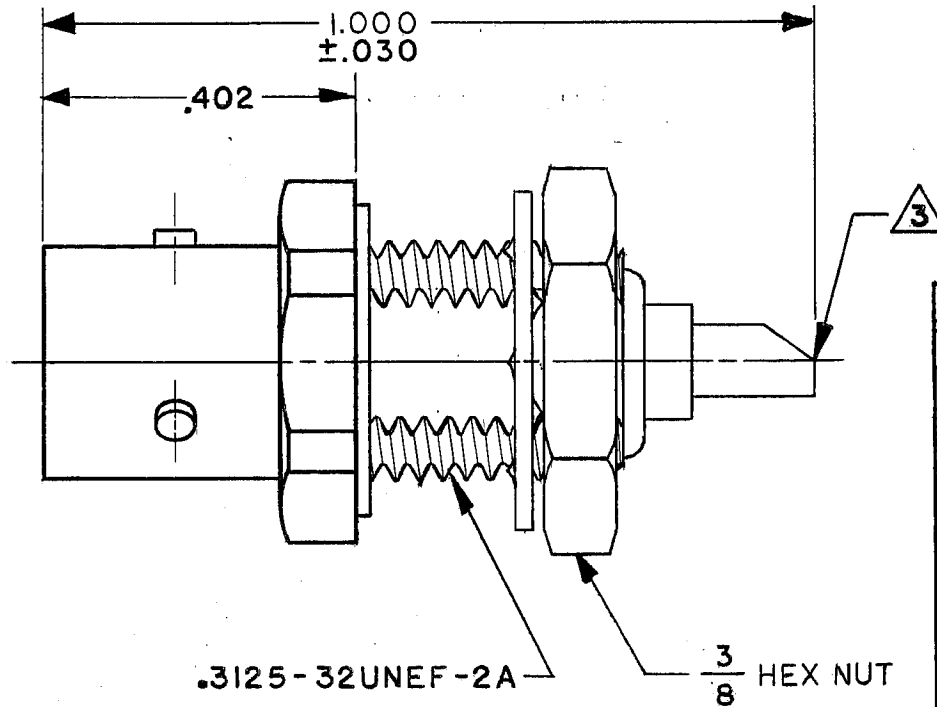


**RECOMMENDED
PANEL CUTOUT
SCALE: 2/1**



| REVISIONS | | | 1000-0403 | SH 1 | |
|-----------|------|-------------------------|-----------|-----------------------|---------|
| REV | EO | DESCRIPTION | DWN | APPROVED | DATE |
| A | 2465 | MODEL WAS BJ-57 | MCW | <i>[Signature]</i> | 5-2-74 |
| B | 2800 | FINISH WAS TFS-1B(GOLD) | POB | <i>[Signature]</i> | 3-12-75 |
| C | 2908 | REV PL ITEMS 5 & 6 PN | CU | <i>[Signature]</i> | 7-8-75 |
| D | 3386 | ITEM 4PN WAS 8000-1274 | CU | <i>[Signature]</i> | 7-8-76 |
| E | 7239 | 3/8 HEX WAS 7/16 HEX | CKH | F3 <i>[Signature]</i> | 9-29-86 |



| INCH | MM |
|-------|-------|
| .005 | 0.13 |
| .030 | 0.76 |
| .039 | 0.99 |
| .218 | 5.54 |
| .281 | 7.14 |
| .285 | 7.24 |
| .317 | 8.05 |
| .321 | 8.15 |
| .402 | 10.21 |
| 1.000 | 25.40 |

- 5. MAX PNL THK .218
- 4. TPS SOLDER POT BULKHEAD MOUNT JACK

3 SOLDER POT ACCEPTS .039 DIA CONDUCTOR

2. FINISH: TFS-1A (NICKEL)

1. ALL DIM ARE IN INCHES

6000-0835

6000-0216

NEXT ASSY

| QTY | DESCRIPTION | | PART NUMBER | | ITEM | |
|------|--|---------|--|--------------|--------------|----------|
| | TOL UNLESS SPECIFIED .XX ± .XXX ±.005 .XXXX ± ANGLES ± | | TROMPETER ELECTRONICS, INC. | | BJ50 | |
| DWN | JKR | 7-10-73 | | | | MATERIAL |
| CHK | <i>[Signature]</i> | 8-29-73 | — | 14949 | 1000-0403 | E |
| ENGR | <i>[Signature]</i> | 9-7-73 | SCALE 4/1 | DATE 9-11-73 | SHEET 1 OF 2 | |
| APPR | <i>[Signature]</i> | 9/11/73 | | | | |