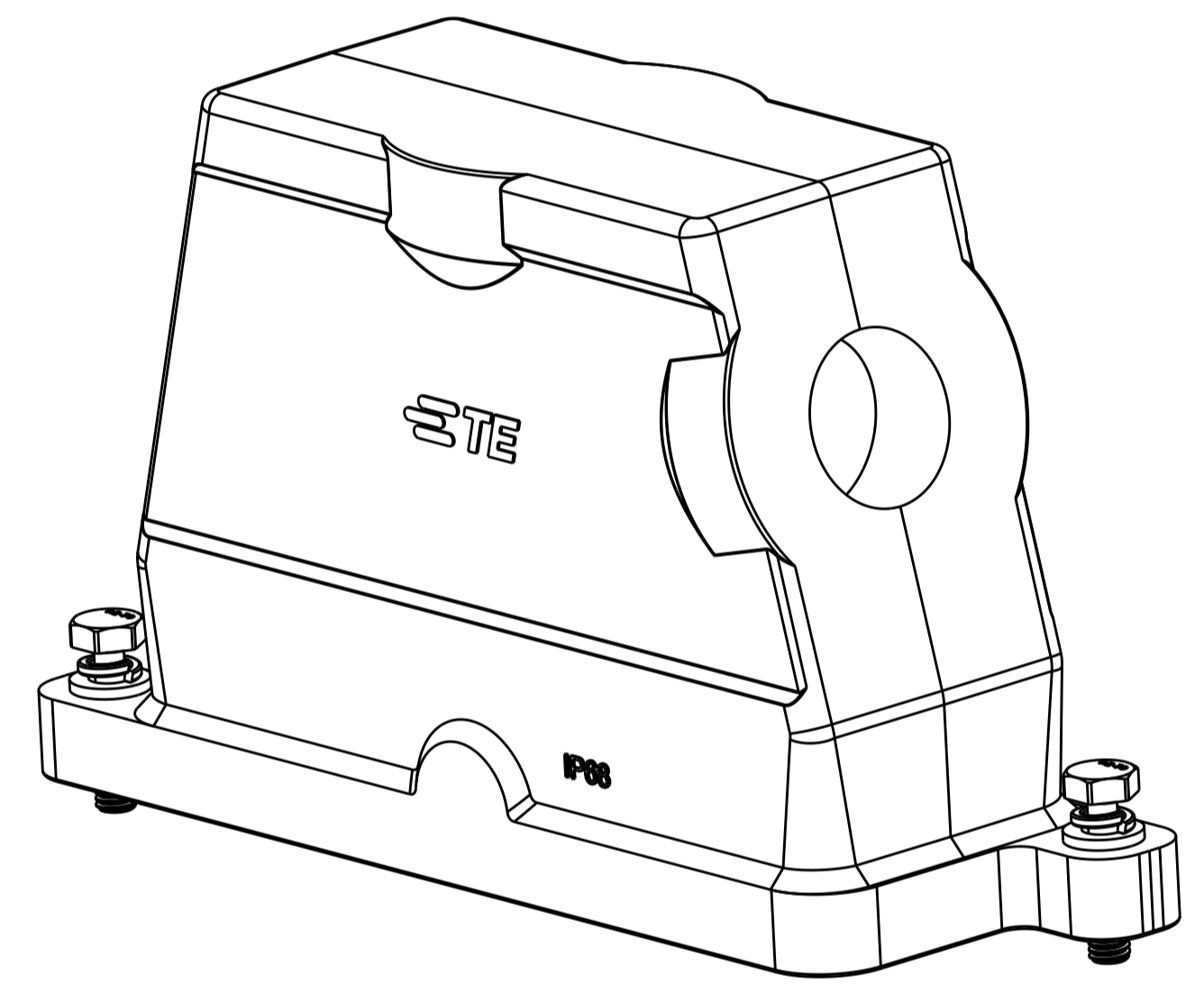
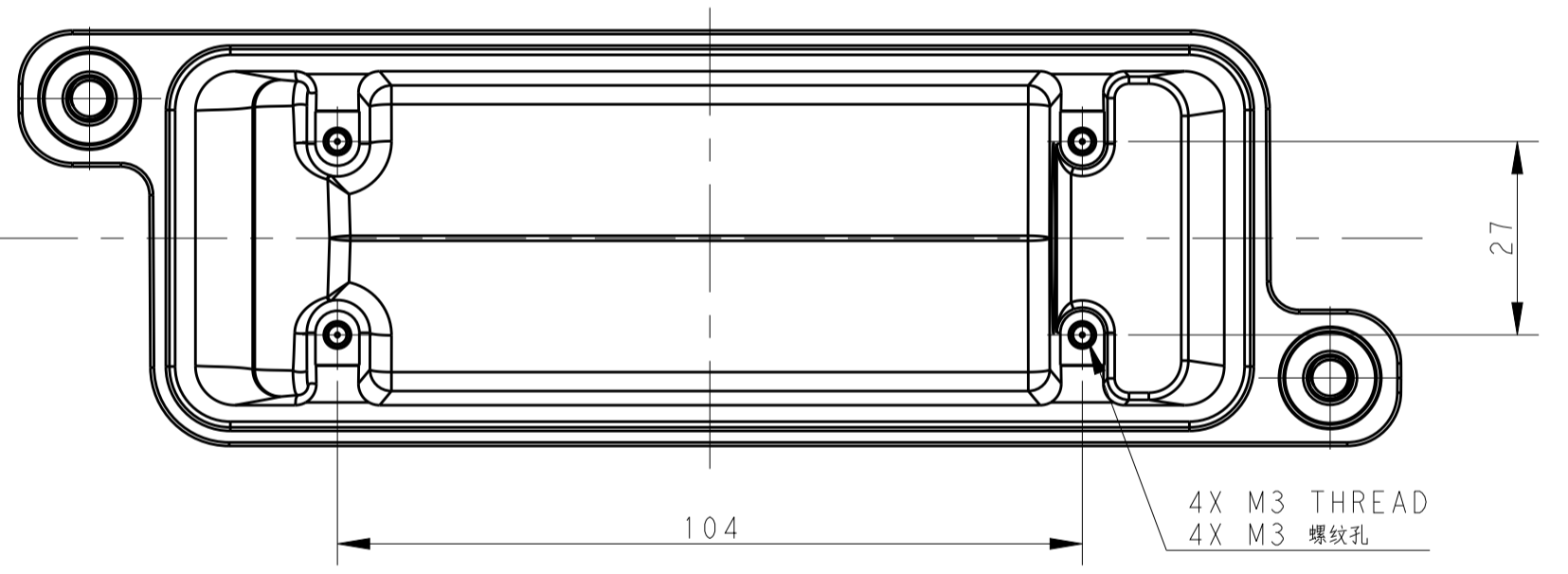
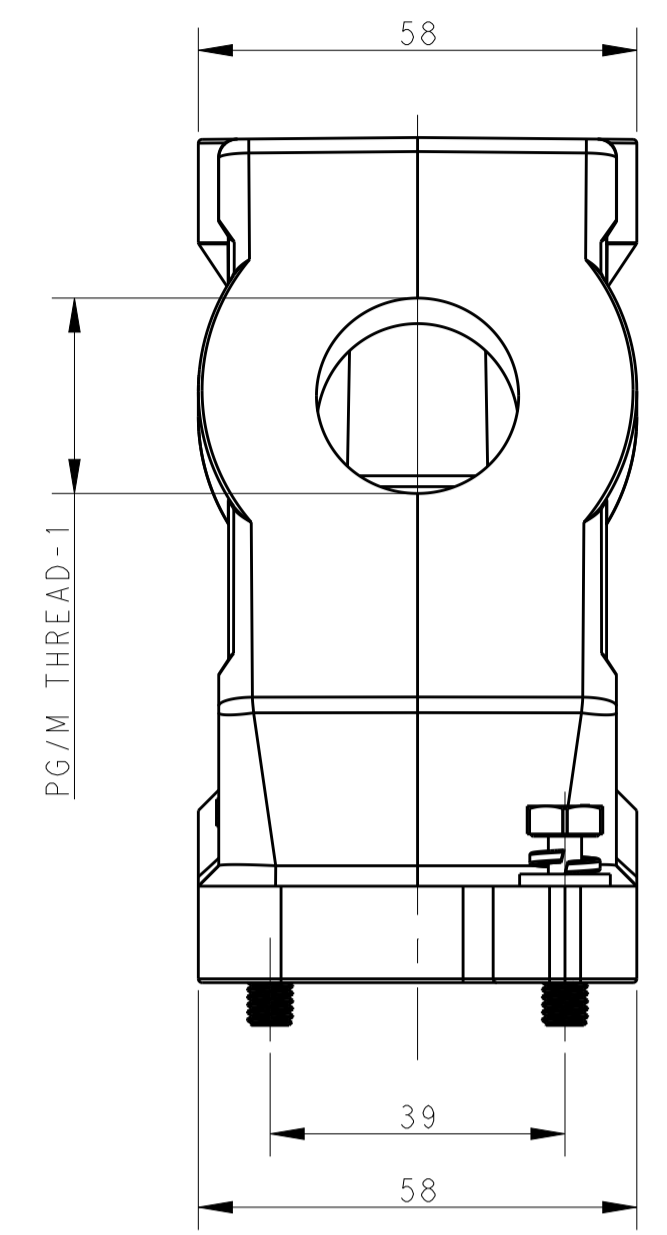
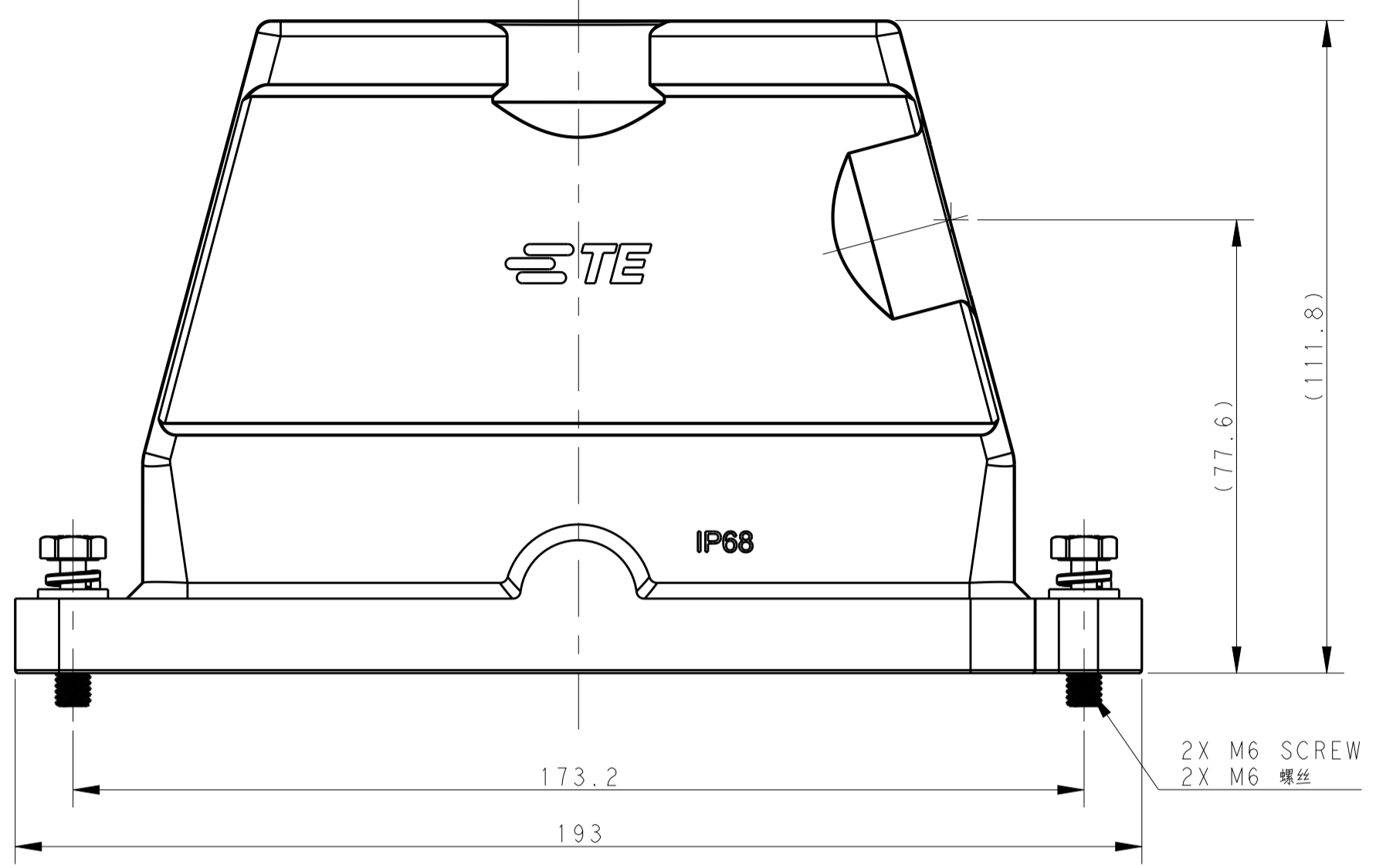


REVISIONS				
REV	LTN	DESCRIPTION	DATE	APP'D
A		INITIAL RELEASE	26AUG2016	DW CW



NOTES:
 1. TECHNICAL CHARACTERISTICS:
 HOOD MATERIAL: DIE CAST ALUMINIUM ALLOY
 SURFACE: SEE TABLE
 DEGREE OF PROTECTION: IP68 (MATED)

注释:
 1. 技术参数:
 壳体材料: 铝合金
 表面处理: 见表格
 防护等级: IP68 (配合)

PART NUMBER 料号	DESCRIPTION 描述	PG/M THREAD-1 PG/M 螺紋-1
T1910241140-009	H24BPR-TSH-M40-EMC-C H24BPR HOOD, DIAGONAL LOCKING, SIDE ENTRY M40, POWDER COATED, SILVER WHITE H24BPR对角锁定侧出上壳M40 银白色	M40
T1910241136-009	H24BPR-TSH-PG36-EMC-C H24BPR HOOD, DIAGONAL LOCKING, SIDE ENTRY PG36, POWDER COATED, SILVER WHITE H24BPR对角锁定侧出上壳PG36 银白色	PG36
T1910241132-009	H24BPR-TSH-M32-EMC-C H24BPR HOOD, DIAGONAL LOCKING, SIDE ENTRY M32, POWDER COATED, SILVER WHITE H24BPR对角锁定侧出上壳M32 银白色	M32
T1910241129-009	H24BPR-TSH-PG29-EMC-C H24BPR HOOD, DIAGONAL LOCKING, SIDE ENTRY PG29, POWDER COATED, SILVER WHITE H24BPR对角锁定侧出上壳PG29 银白色	PG29
T1910241125-009	H24BPR-TSH-M25-EMC-C H24BPR HOOD, DIAGONAL LOCKING, SIDE ENTRY M25, POWDER COATED, SILVER WHITE H24BPR对角锁定侧出上壳M25 银白色	M25
T1910241121-009	H24BPR-TSH-PG21-EMC-C H24BPR HOOD, DIAGONAL LOCKING, SIDE ENTRY PG21, POWDER COATED, SILVER WHITE H24BPR对角锁定侧出上壳PG21 银白色	PG21
T1910240140-009	H24BPR-TSH-M40-EMC-C H24BPR HOOD, DIAGONAL LOCKING, SIDE ENTRY M40, POWDER COATED, BLACK H24BPR对角锁定侧出上壳M40 黑色	M40
T1910240136-009	H24BPR-TSH-PG36-EMC-C H24BPR HOOD, DIAGONAL LOCKING, SIDE ENTRY PG36, POWDER COATED, BLACK H24BPR对角锁定侧出上壳PG36 黑色	PG36
T1910240132-009	H24BPR-TSH-M32-EMC-C H24BPR HOOD, DIAGONAL LOCKING, SIDE ENTRY M32, POWDER COATED, BLACK H24BPR对角锁定侧出上壳M32 黑色	M32
T1910240129-009	H24BPR-TSH-PG29-EMC-C H24BPR HOOD, DIAGONAL LOCKING, SIDE ENTRY PG29, POWDER COATED, BLACK H24BPR对角锁定侧出上壳PG29 黑色	PG29
T1910240125-009	H24BPR-TSH-M25-EMC-C H24BPR HOOD, DIAGONAL LOCKING, SIDE ENTRY M25, POWDER COATED, BLACK H24BPR对角锁定侧出上壳M25 黑色	M25
T1910240121-009	H24BPR-TSH-PG21-EMC-C H24BPR HOOD, DIAGONAL LOCKING, SIDE ENTRY PG21, POWDER COATED, BLACK H24BPR对角锁定侧出上壳PG21 黑色	PG21

THIS DRAWING IS A CONTROLLED DOCUMENT.		DWN DAVID WANG 26AUG2016	TE Connectivity
DIMENSIONS: mm		CHK CHRIS WANG 26AUG2016	
TOLERANCES UNLESS OTHERWISE SPECIFIED:		APVD XIANG YU 26AUG2016	NAME H24BPR-TSH-PG/M-EMC-C
0 PLC ± 2 PLC ± 3 PLC ± 4 PLC ± ANGLES ±		PRODUCT SPEC 108-137191	SIZE CAGE CODE DRAWING NO RESTRICTED TO
MATERIAL FINISH		APPLICATION SPEC 114-137191	A1 - C-T191024XXXXX09
		WEIGHT	SCALE 1:1 SHEET 1 OF 1 REV A
		CUSTOMER DRAWING	