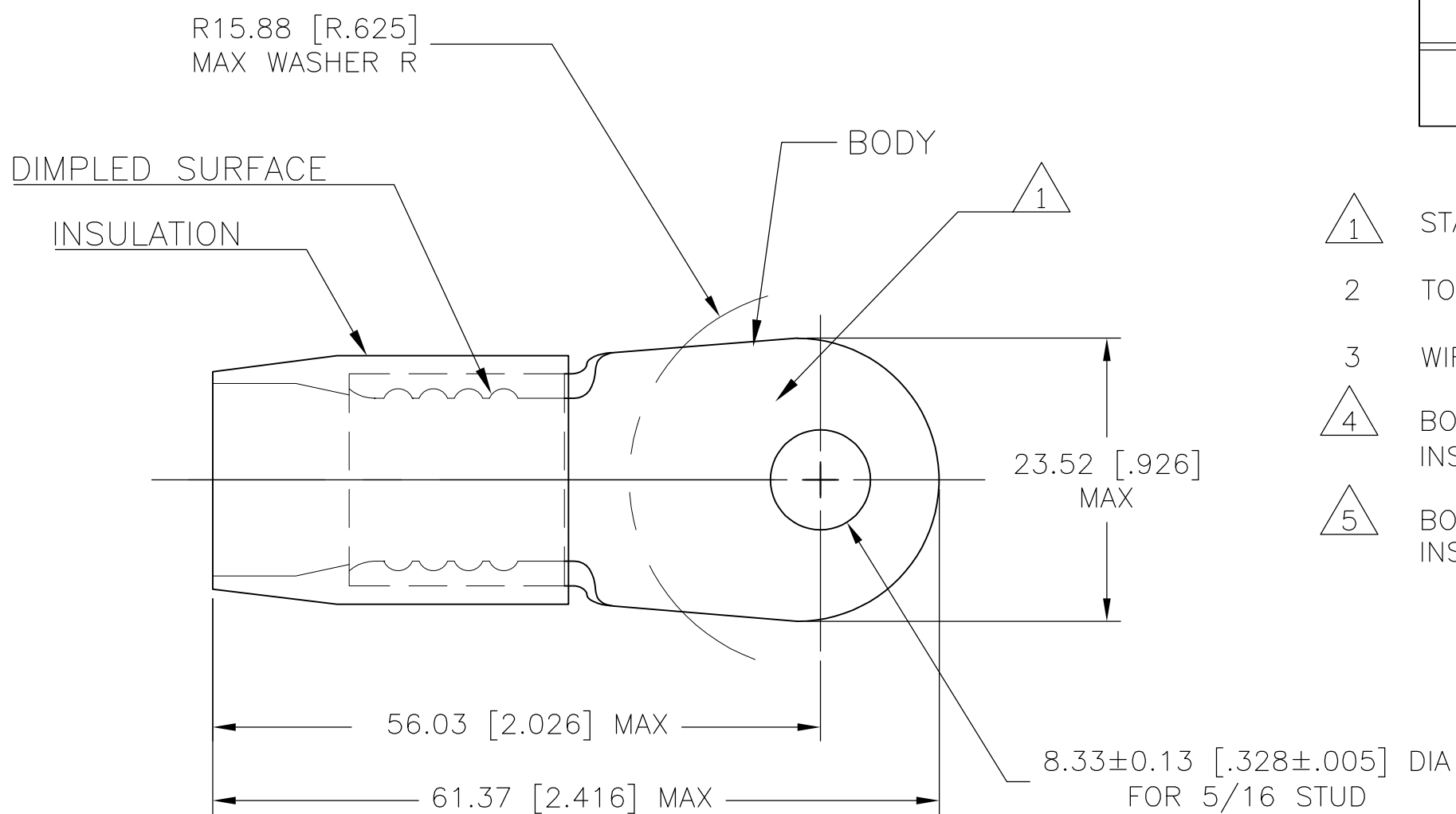


THIS DRAWING IS UNPUBLISHED. RELEASED FOR PUBLICATION
 © COPYRIGHT - By - ALL RIGHTS RESERVED.

LOC	DIST	REVISIONS					
		P	LTR	DESCRIPTION	DATE	DWN	APVD
G	14		F2	REVISED PER ECO-13-002070	05FEB13	KH	DR



AMP
WIRE RANGE

2/0 AWG
STRANDED

- 1 STAMP AMP 2/0 W*, LOCATE APPROX AS SHOWN
- 2 TONGUE MATERIAL THK 2.03±0.08 [.080±.003]
- 3 WIRE INSULATION DIA 15.49 [.610] MAX
- 4 BODY: COPPER PER ASTM B-152
INSULATION: NYLON (MIL-M-20693) TYPE I
- 5 BODY: TIN PLATED PER ASTM B-545
INSULATION: COLOR-YELLOW

MS25036-135 CLASS 2	-	LOOSE PC	324083
MILITARY P/N AND CLASS	QTY	PACKAGE TYPE	PART NO

MAX RECOMMENDED OPERATING TEMPERATURE:
105°C

VOLTAGE RATING:
-

CIRCULAR MIL AREA:
60.6-76.3mm²
[119,500-150,500]
STRANDED

THIS DRAWING IS A CONTROLLED DOCUMENT.

DIMENSIONS:	TOLERANCES UNLESS OTHERWISE SPECIFIED:
mm [INCHES]	
0 PLC	± -
1 PLC	± -
2 PLC	± 0.20 [.008]
3 PLC	± -
4 PLC	± -
ANGLES	± -
MATERIAL	FINISH
4	5

DWN S.S. GOULDEN 9-28-93	 TE Connectivity	NAME		TERMINAL, RING TONGUE, TERMINYL, WIRE SIZE: 2/0 AWG					
CHK R. HERSEY 9-28-93		APVD M ELLIS 9-28-93							
PRODUCT SPEC		NOT AVAILABLE							
APPLICATION SPEC		NOT AVAILABLE							
WEIGHT	-	SIZE	A3	CAGE CODE	00779	DRAWING NO	C-324083	RESTRICTED TO	-
CUSTOMER DRAWING		SCALE	NTS	SHEET	1 OF 1	REV	F2		