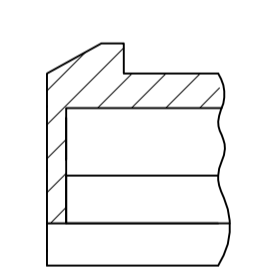
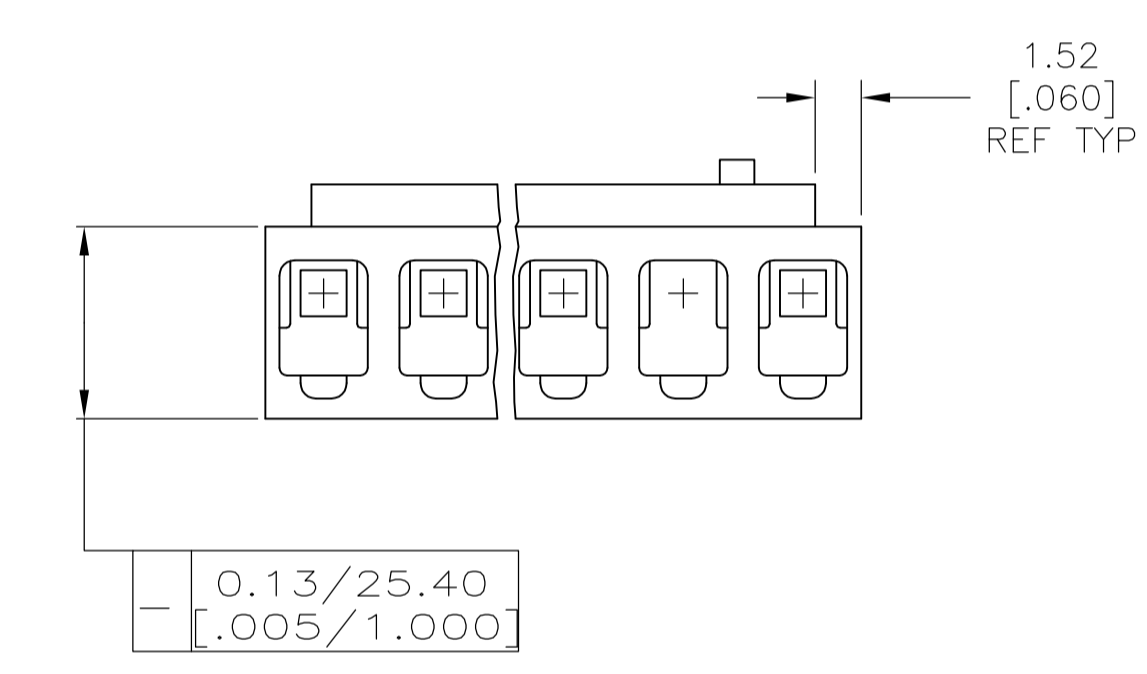
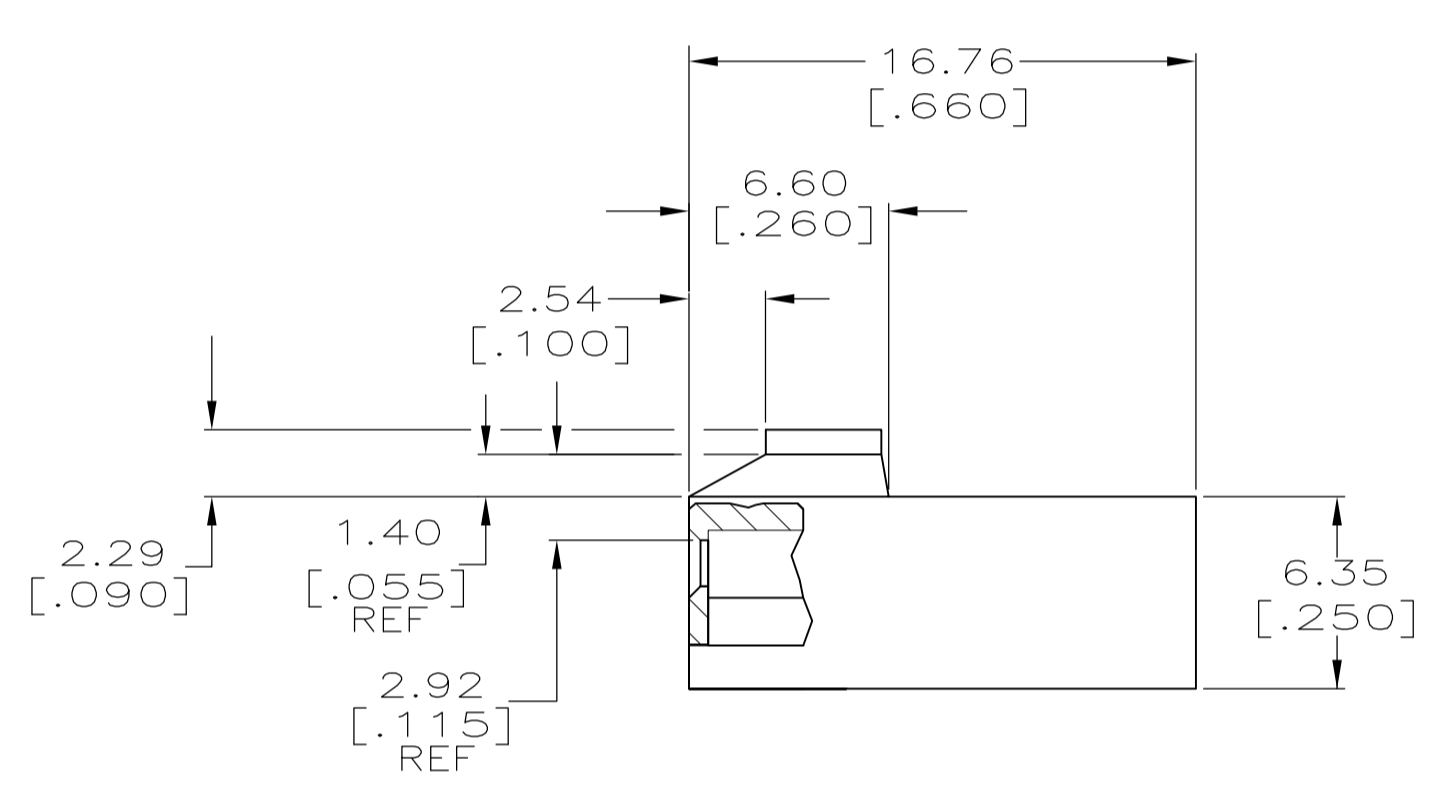
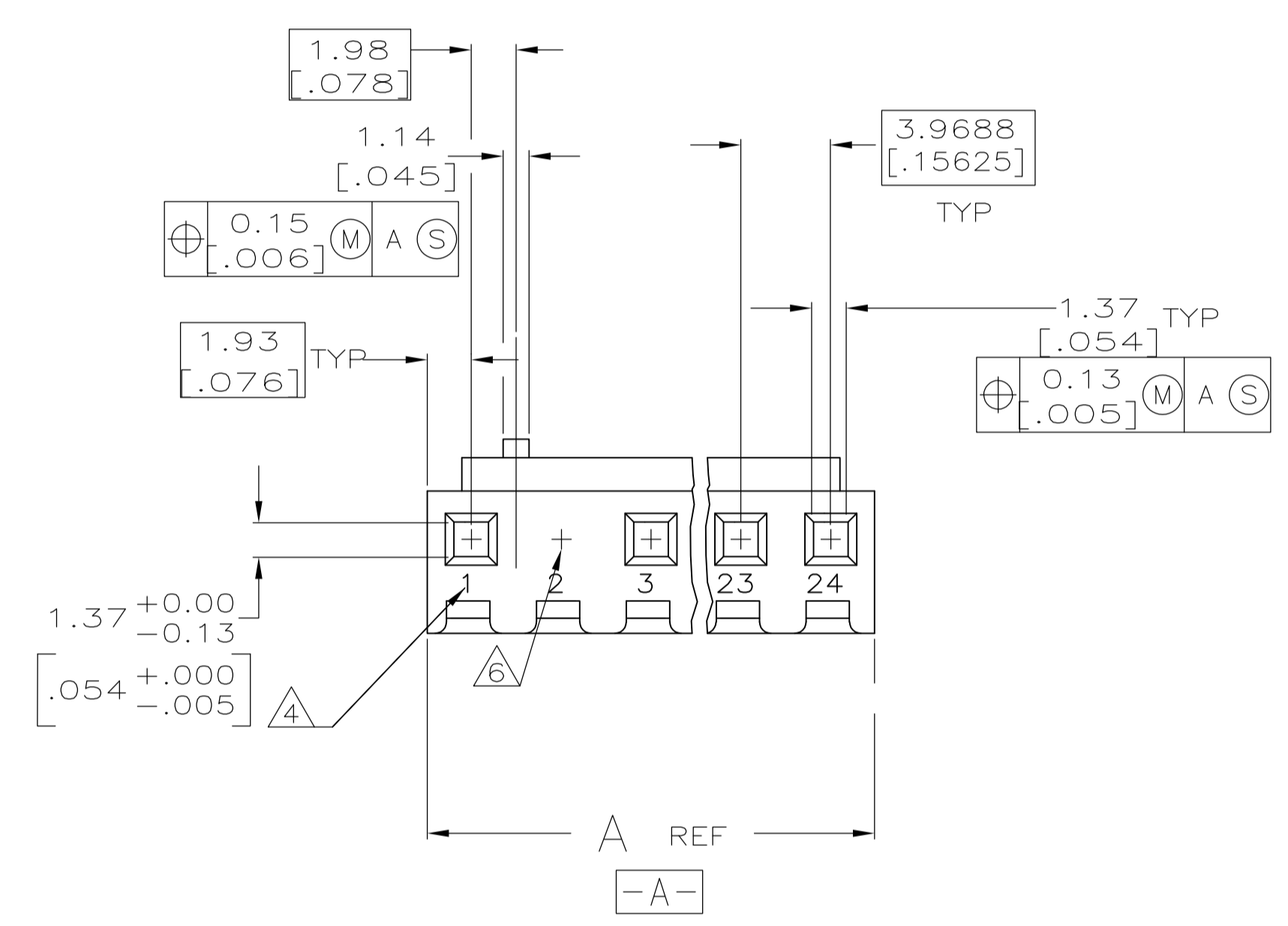
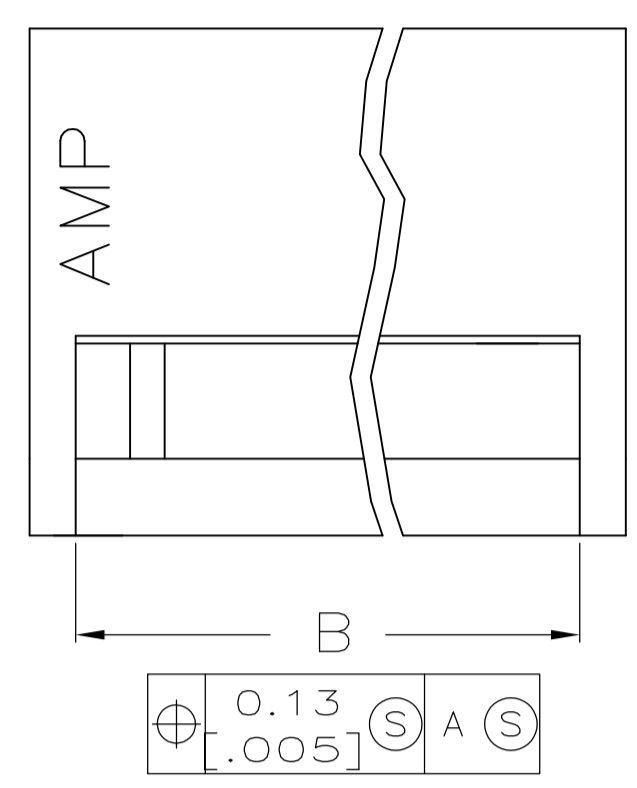
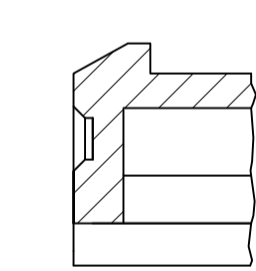


LOC	DIST	REVISIONS			
CM	54	REV	DESCRIPTION	DATE	DMN
		A	REVISED PER ECO-12-007810	30JUL12	KH SM

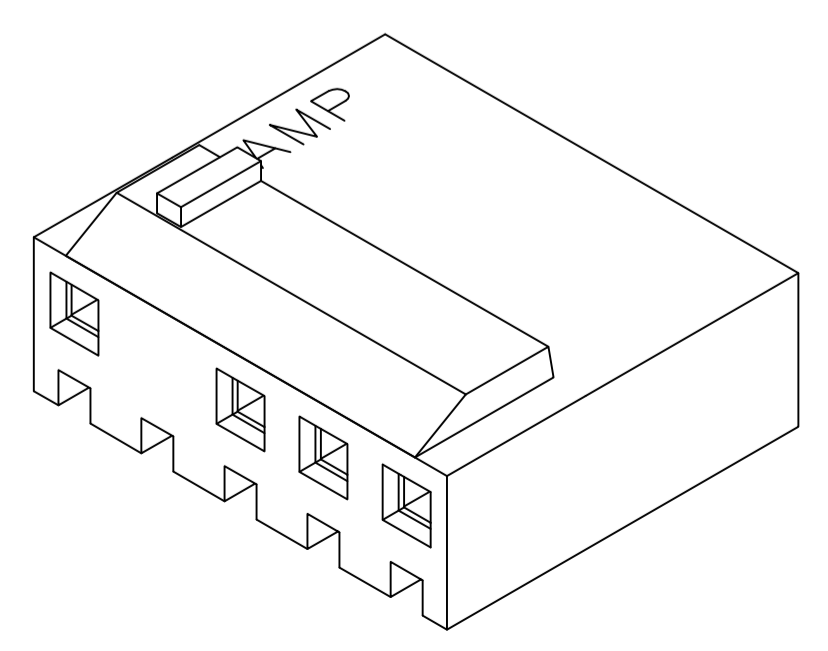
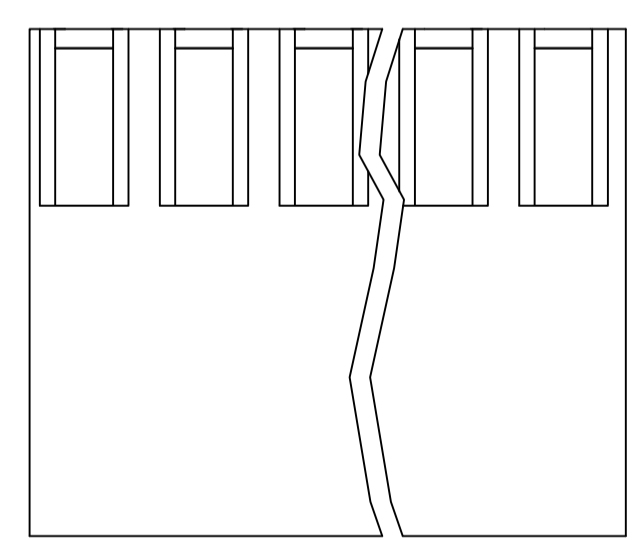
- 1 UNIT ACCEPTS 1.14[.045] SQUARE OR ROUND POST.
- 2 UNIT ACCEPTS STANDARD SL-156 CONTACTS.
- 3 UNIT ACCEPTS KEYING PLUG 640254-1 AND KEYING PIN 640255-1.
- 4 CIRCUIT ID NUMBERS.
- 5 DIMENSIONS IN BRACKETS ARE IN INCHES.
- 6 CIRCUIT 2 IS MOLDED CLOSED, USING EITHER OPTION A OR OPTION B.



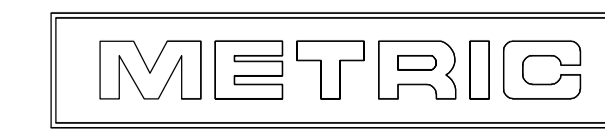
OPTION A



OPTION B



3-DIMENSIONAL MODEL NTS



12.70 [.500]	15.77 [.621]	4	647171-4
B	A	NO. OF CIRCUITS	PART NO

THIS DRAWING IS A CONTROLLED DOCUMENT.		DIN B LEWIS 11-20-97	TE Connectivity	
DIMENSIONS: mm [INCHES]		CHK R SWING 11-20-97	NAME	
TOLERANCES UNLESS OTHERWISE SPECIFIED:		APVD B GENTRY 11-20-97	HOUSING WITH .260 LOCKING RAMP AND A TAB, NO.2 CIRCUIT CLOSED, SL-156	
0. PLC ± -	1. PLC ± -	PRODUCT SPEC	SIZE	CAGE CODE
2. PLC ± -	3. PLC ± 0.13 [.005]	APPLICATION SPEC	A1	00779
4. PLC ± -	ANGLES ± ± -	WEIGHT	SCALE	4:1
MATERIAL NYLON,UL 94V-0 NATURAL	FINISH -	CUSTOMER DRAWING	SHEET	1 OF 1
		DRAWING NO. 647171	REV	A