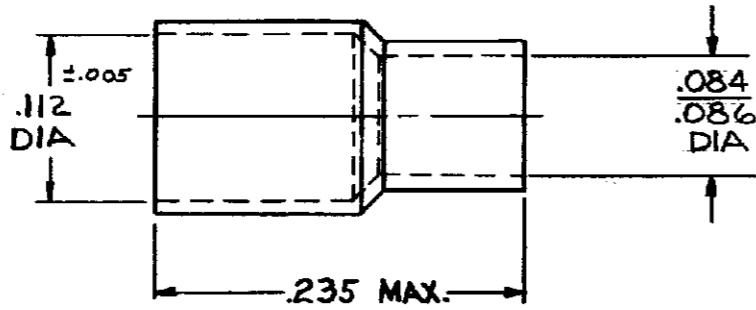


NUMBER 332057

©1965 BY AMP INCORPORATED. ALL RIGHTS RESERVED. AMP PRODUCTS COVERED BY PATENTS AND/OR PATENTS PENDING. APPROVED PER GOVT CONTRACT NO.

| REVISIONS |      |                                     |                                |          |
|-----------|------|-------------------------------------|--------------------------------|----------|
| SYM       | ZONE | DESCRIPTION                         | DATE                           | APPROVAL |
| A         |      | TIN PL WAS SILVER PL .0002 MIN EXTN | 7/8/65                         | RHW      |
| B         |      | REVISED                             | RF-554 8 <sup>th</sup> 2-20-68 | RHW      |
| C         |      | REVISED PER ECN RF9-78              | PI 4-7-68                      | BHW      |



| QTY REQD | NOMENCLATURE OR DESCRIPTION | PART OR IDENTIFYING NO. | MATERIAL AND PLATING                      |
|----------|-----------------------------|-------------------------|---|
| 1        | FERRULE                     | I-332057-0              | COPPER (QQ-C-576)<br>TIN PL (MIL-T-10727) |

AMP INFO: LOC AJ, PRINT DIST 16, WIRE SIZE RG-178, 196/0

LIST OF MATERIALS OR PARTS LIST

|   |                    |                |                         |              |  |  |            |
|---|--------------------|----------------|-------------------------|--------------|--|--|------------|
| UNLESS OTHERWISE SPECIFIED<br>DIMENSIONS ARE IN INCHES<br>TOLERANCES ON |                    | SIGNATURE      |                         | DATE         |  | AMP INCORPORATED<br>HARRISBURG, PENNSYLVANIA |            |
| FRACTIONS<br>± 1/64   | DECIMALS<br>± .008 | ANGLES<br>± 5° | DR<br><i>T. DePinto</i> | 6-23-65      | NAME<br>SUB-MINIATURE COAXIAL<br>FERRULE |  |            |
| MATERIAL<br>SEE TABLE   |                    |                | CHK<br><i>RHW</i>       | 9/23/65      | TRADEMARK                                |  |            |
| HEAT TREAT<br>#   |                    |                | DESIGN ENGR             | 4/24/65      | CODE IDENT NO<br>00779                   |  |            |
| FINISH<br>SEE TABLE   |                    |                | DESIGN APPD             | OTHER APPD   | SIZE<br>B                                | NUMBER<br>332057                             | SCALE 10-1 |
|   |                    |                |                         | WT           |  | CALC   | ACTUAL     |
|   |                    |                |                         | SHEET 1 OF 1 |  |  |            |