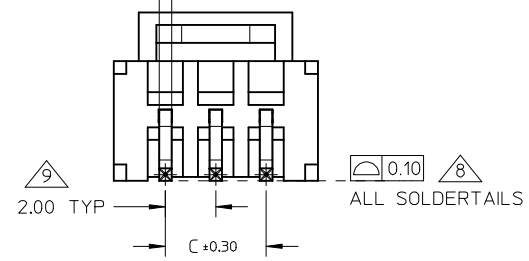
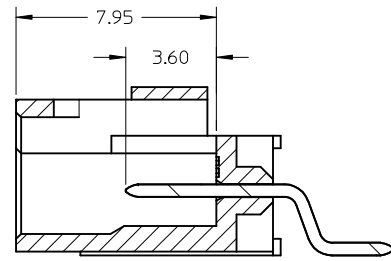
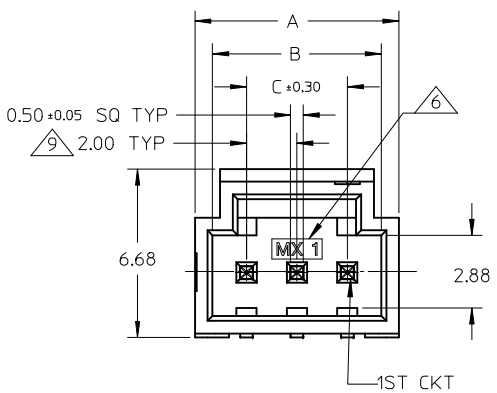
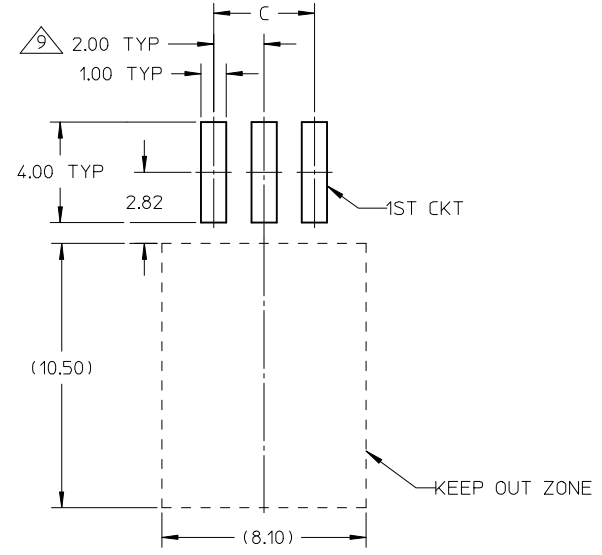
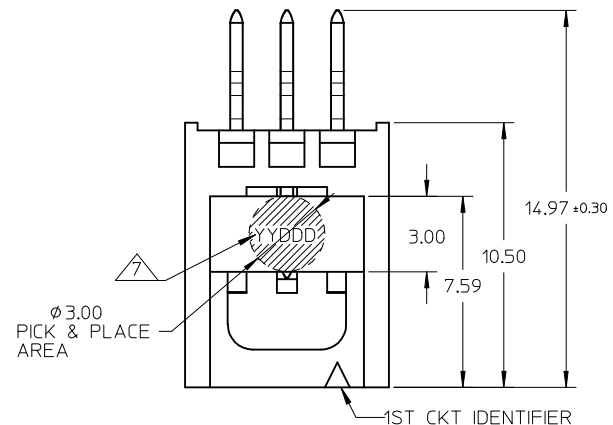


RECOMMENDED PCB LAYOUT  
GENERAL TOLERANCE: ±0.05

CKT SIZE	DIMENSION			
	A	B	C	D
2	6.10	4.70	2.00	3.00
3	8.10	6.70	4.00	5.00
4	10.10	8.70	6.00	7.00
5	12.10	10.70	8.00	9.00
6	14.10	12.70	10.00	11.00
7	16.10	14.70	12.00	13.00
8	18.10	16.70	14.00	15.00
9	20.10	18.70	16.00	17.00
10	22.10	20.70	18.00	19.00

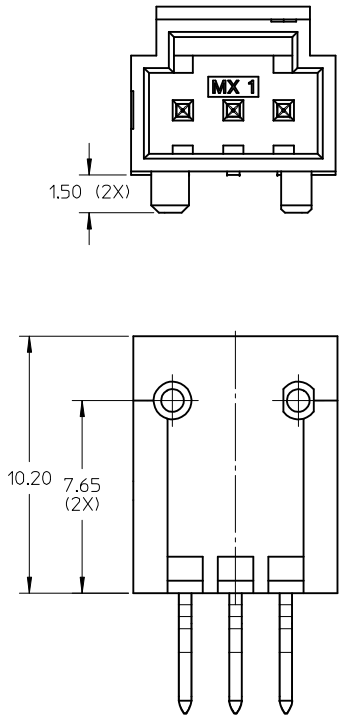


SECTION Z-Z

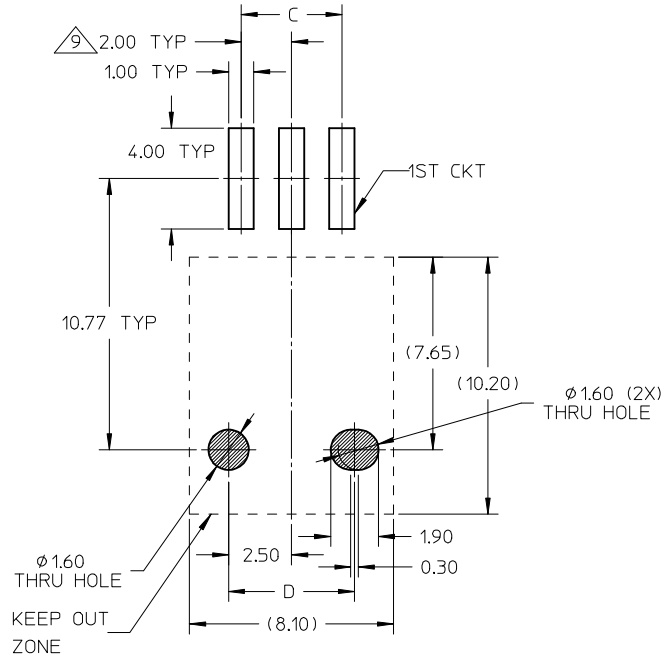
- NOTES:
- MATERIAL:  
HOUSING: LIQUID CRYSTALLINE POLYMERS (LCP), GLASS FILLED, UL94V-0, BLACK.  
PIN: COPPER ALLOY, 0.50MM SQ
  - PLATING: SEE TABLE.
  - PRODUCT SPECIFICATION: PS-151062-0001.
  - PACKAGING SPECIFICATION: PK-151062-0001.
  - TO BE MATED WITH MOLEX RECEPTACLES SERIES: 151100.
  - MANUFACTURING ID & CAVITY ID SHALL BE LOCATED APPROXIMATELY AS SHOWN.
  - DATE CODE: YYDDD IS LOCATED APPROXIMATELY AS SHOWN.
  - COPLANARITY TO BE MEASURED BY RESTING THE SOLDER TAIL ON FLAT/GAUGE SURFACE.
  - PITCH TOLERANCE SHALL BE NON ACCUMULATED.

<b>RELEASE TO REV A</b> EC NO: S2016-0665 DRWN:FCS00 2016/01/27 CHKD:CGOH 2016/02/16 APPR:KHLIM 2016/02/16	QUALITY SYMBOLS $F_A=0$ $F_C=0$ $F_P=0$	GENERAL TOLERANCES (UNLESS SPECIFIED)		DIMENSION STYLE <b>MM ONLY</b>		SCALE <b>NTS</b>	DESIGN UNITS <b>METRIC</b>	THIRD ANGLE PROJECTION		
		4 PLACES ± --- ± ---	3 PLACES ± --- ± ---	DRAWN BY FCS00	DATE 2014/12/17	TITLE <b>SALES DRAWING PCB HEADER, RA SMT SINGLE ROW MILLIGRID</b>				
		2 PLACES ± 0.20 ± ---	1 PLACE ± --- ± ---	CHECKED BY FCS00	DATE 2014/12/17	APPROVED BY KHLIM				
		0 PLACE ± --- ± ---	ANGULAR ± 3 °	MATERIAL NO. <b>SEE TABLE</b>	DATE 2015/07/02	DOCUMENT NO. <b>SD-151064-0001</b>		SHEET NO. <b>1 OF 3</b>		
DRAFT WHERE APPLICABLE MUST REMAIN WITHIN DIMENSIONS		THIS DRAWING CONTAINS INFORMATION THAT IS PROPRIETARY TO MOLEX INCORPORATED AND SHOULD NOT BE USED WITHOUT WRITTEN PERMISSION								

WITH PEG



RECOMMENDED PCB LAYOUT  
GENERAL TOLERANCE: ±0.05



RELEASE TO REV A EC NO: S2016-0665 DRWN:FCS00 2016/01/27 CHKD:CGOH 2016/02/16 APPR:KHLIM 2016/02/16	DESCRIPTION REV	QUALITY SYMBOLS	GENERAL TOLERANCES (UNLESS SPECIFIED)	DIMENSION STYLE	SCALE	DESIGN UNITS	THIRD ANGLE PROJECTION	
		$\nabla_A = 0$ $\nabla_C = 0$ $\nabla_P = 0$	mm INCH 4 PLACES ± --- ± --- 3 PLACES ± --- ± --- 2 PLACES ± 0.20 ± --- 1 PLACE ± --- ± --- 0 PLACE ± --- ± ---	MM ONLY	NTS	METRIC		
			ANGULAR ± 3 ° DRAFT WHERE APPLICABLE MUST REMAIN WITHIN DIMENSIONS	DRAWN BY DATE FCS00 2014/12/17 CHECKED BY DATE FCS00 2014/12/17 APPROVED BY DATE KHLIM 2015/07/02	TITLE	SALES DRAWING PCB HEADER, RA SMT SINGLE ROW MILLIGRID		
			SEE TABLE THIS DRAWING CONTAINS INFORMATION THAT IS PROPRIETARY TO MOLEX INCORPORATED AND SHOULD NOT BE USED WITHOUT WRITTEN PERMISSION	MATERIAL NO. DOCUMENT NO. SD-151064-0001	SHEET NO.	2 OF 3		

ASSEMBLY

151064 - X X X X

02 - 10	2-10 CKT W/O PEG
52 - 60	2-10 CKT WITH PEG
	52 = 2CKT
	53 = 3CKT
	.
	59 = 9CKT
	60 = 10CKT

PLATING	
0	FULL TIN
1	Au FLASH
2	0.38 Au
3	0.75 Au
4	OTHER OPTIONS
5	
6	
7	
8	
9	

PACKAGING	
0	TAPE & REEL
1	TUBE
	OTHER OPTIONS

PLATING OPTIONS	
-x0**	2.50µm MIN. TIN ON CONTACT AND 2.00µm MIN. TIN (MATTE) ON SOLDER TAIL OVER 1.25µm MIN. NICKEL OVERALL
-x1**	0.05µm MIN. GOLD PLATE ON CONTACT AND 2.00µm MIN. TIN (MATTE) ON SOLDER TAIL OVER 1.25µm MIN. NICKEL OVERALL.
-x2**	0.38µm MIN. GOLD PLATE ON CONTACT AND 2.00µm MIN. TIN (MATTE) ON SOLDER TAIL OVER 1.25µm MIN. NICKEL OVERALL.
-x3**	0.75µm MIN. GOLD PLATE ON CONTACT AND 2.00µm MIN. TIN (MATTE) ON SOLDER TAIL OVER 1.25µm MIN. NICKEL OVERALL.

PACKAGING OPTIONS	
TAPE & REEL	151000-4***
PACKAGING TUBE	151000-3015

RELEASE TO REV A EC NO: S2016-0665 DRWN: FCS00 CHKD: CGOH APPR: KHL IM	2016/01/27 2016/02/16 2016/02/16	DESCRIPTION REV	QUALITY SYMBOLS	GENERAL TOLERANCES (UNLESS SPECIFIED)	DIMENSION STYLE	SCALE	DESIGN UNITS	THIRD ANGLE PROJECTION
			$\nabla_A = 0$ $\nabla_C = 0$ $\nabla_P = 0$	mm    INCH	MM ONLY	NTS	METRIC	
			4 PLACES ± --- ± --- 3 PLACES ± --- ± --- 2 PLACES ± 0.20 ± --- 1 PLACE ± --- ± --- 0 PLACE ± --- ± ---	DRAWN BY: FCS00    DATE: 2014/12/17 CHECKED BY: FCS00    DATE: 2014/12/17 APPROVED BY: KHL IM    DATE: 2015/07/02	TITLE	SALES DRAWING PCB HEADER, RA SMT SINGLE ROW MILLIGRID		
			ANGULAR ± 3 ° DRAFT WHERE APPLICABLE MUST REMAIN WITHIN DIMENSIONS	MATERIAL NO. SEE TABLE	DOCUMENT NO. SD-151064-0001	SHEET NO. 3 OF 3		

