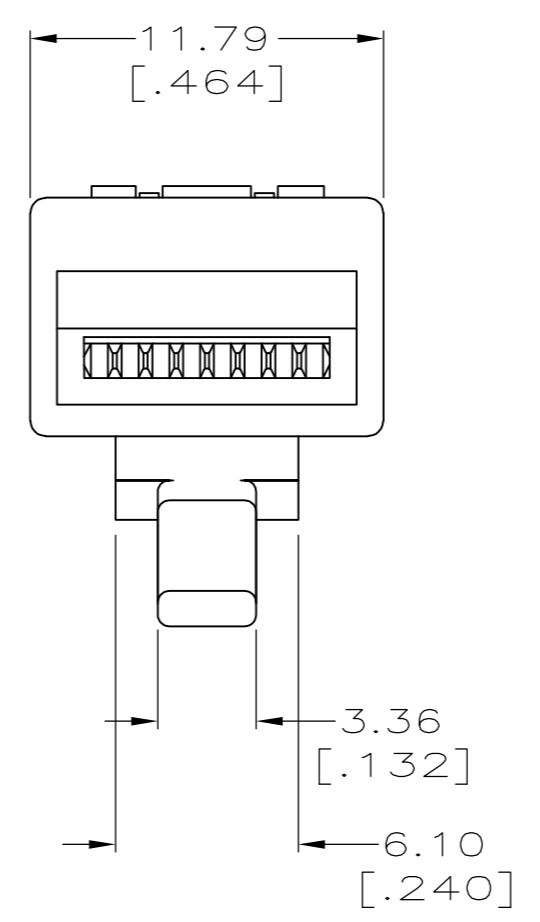
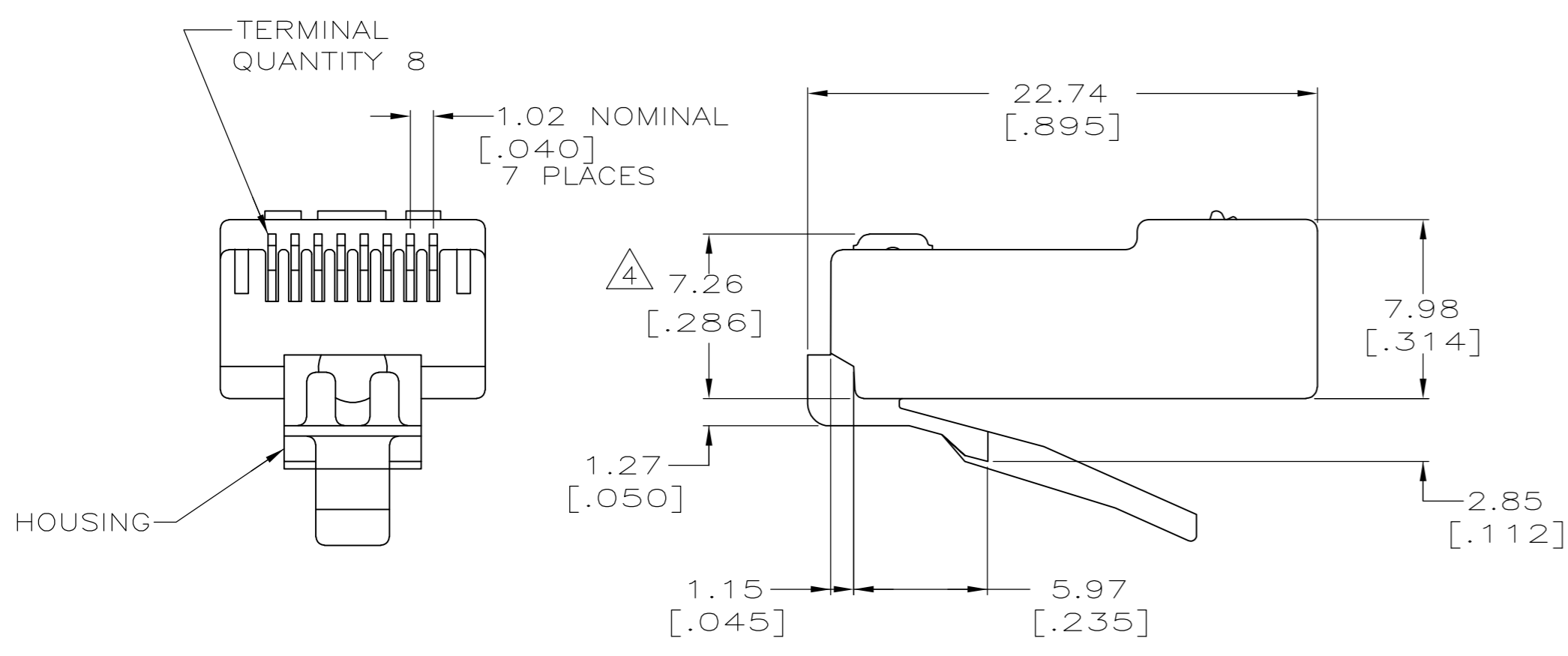
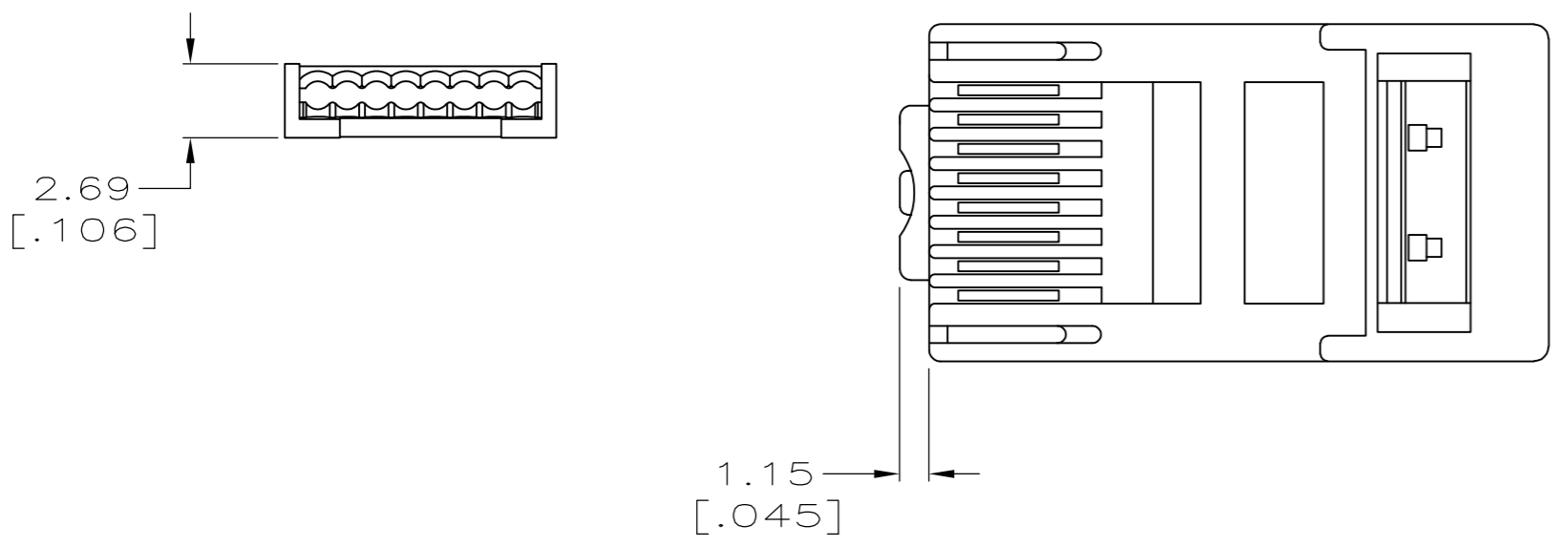
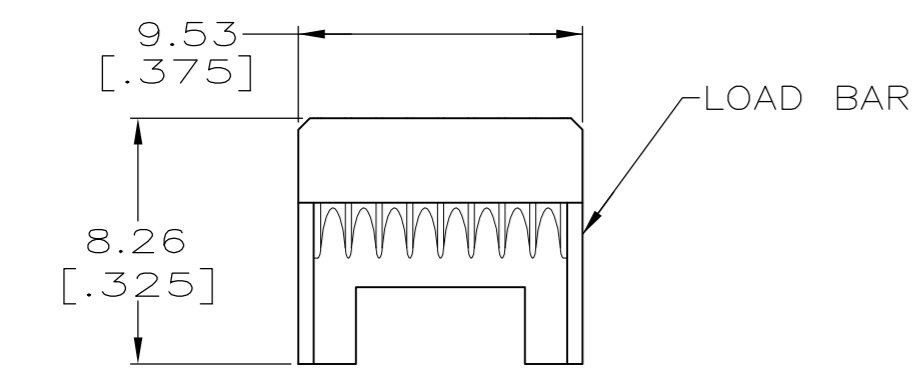


THIS DRAWING IS UNPUBLISHED. RELEASED FOR PUBLICATION  
 © COPYRIGHT - By - ALL RIGHTS RESERVED.

LOC		DIST		REVISIONS			
P	LTR	DESCRIPTION		DATE	DWN	APVD	
HM	00	F		REVISED PER ECO-12-012703	13JUL2012	GG	JG



- 1 MATERIAL:  
 HOUSING - 94V-0 RATED POLYCARBONATE, CLEAR.  
 TERMINAL - 0.36[.014] THICK PHOSPHOR BRONZE PLATED WITH 1.27μm[.000050] MINIMUM THICK GOLD IN LOCALIZED AREA OVER 2.54μm[.000100] MINIMUM THICK NICKEL UNDERPLATE.  
 LOAD BAR - PBT POLYESTER, BLACK.
- 2 DIMENSIONS ARE MAXIMUM UNLESS OTHERWISE SPECIFIED.
- 3. PLUG WILL ACCEPT A 24,26 OR 28 AWG SOLID CONDUCTOR, PROVIDED THE INSULATED CONDUCTOR DIAMETER IS 0.89[.035] TO 0.99[.039]; WITH AN UNSHIELDED, PLIABLE, LOOSE CABLE JACKET OF 4.83[.190] TO 5.59[.220] DIAMETER OR AN UNSHIELDED, RIGID, HARD CABLE JACKET OF 4.83[.190] TO 5.08[.200] DIAMETER.
- 4 TERMINATED DIMENSION 6.15[.242] MAXIMUM.
- 5 500 ASSEMBLIES AND 500 LOAD BARS PER PACKAGE.
- 6 100 ASSEMBLIES AND 100 LOAD BARS PER PACKAGE.
- 8 10,000 ASSEMBLIES AND 10,000 LOAD BARS PER PACKAGE.
- 9. UL RECOGNIZED: FILE NUMBER E81956.

6	5-569278-3
5	5-569278-2
8	5-569278-1
PACKAGED	PART NUMBER

THIS DRAWING IS A CONTROLLED DOCUMENT.

DIMENSIONS: mm	TOLERANCES UNLESS OTHERWISE SPECIFIED: 0 PLC ± - 1 PLC ± - 2 PLC ± - 3 PLC ± - 4 PLC ± - ANGLES ± -	DWN DL DRUMMOND 5-22-95 CHK D. AHERON 5-22-95 APVD E. LAURER 5-22-95	NAME TE Connectivity
MATERIAL	FINISH	PRODUCT SPEC APPLICATION SPEC WEIGHT -	SIZE A2 CAGE CODE 00779 DRAWING NO C=569278 RESTRICTED TO -
CUSTOMER DRAWING		SCALE 4:1	SHEET 1 of 1 REV F

569278

A