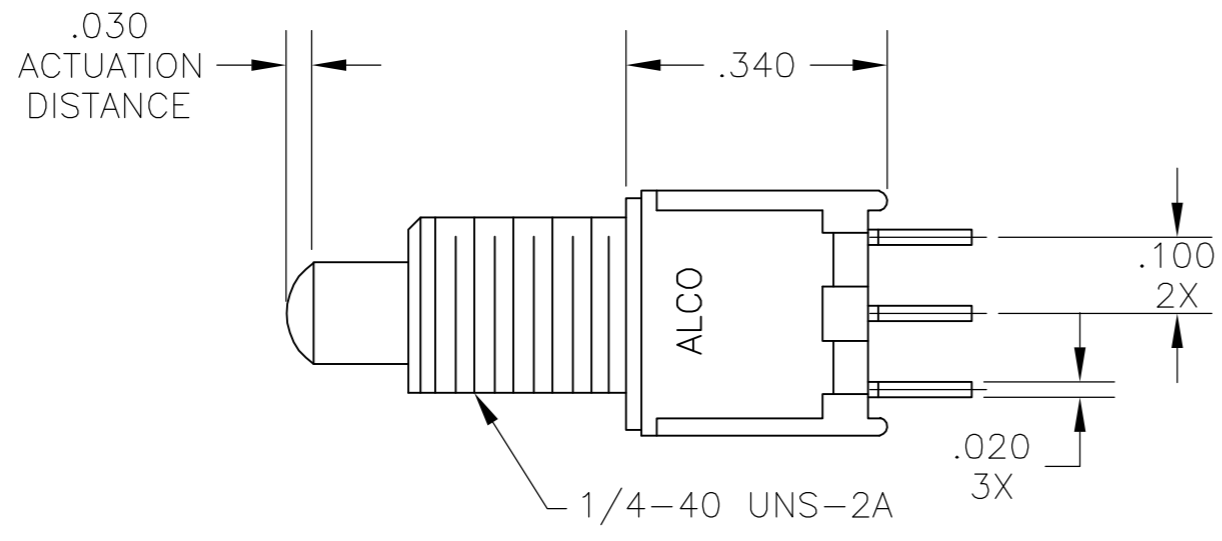


THIS DRAWING IS UNPUBLISHED. RELEASED FOR PUBLICATION
 © COPYRIGHT BY TYCO ELECTRONICS CORPORATION. ALL RIGHTS RESERVED.

LOC		DIST		REVISIONS			
AD	OO	P	LTR	DESCRIPTION	DATE	DWN	APVD
		B		ECO 06 000585	10AUG06	BSV	MZ



SPECIFICATIONS:

MATERIALS:

CASE: HIGH TEMPERATURE POLYESTER.
 ACTUATOR BUTTON: POLYAMIDE, COLORS: SEE CHART BELOW
 MOVING CONTACT: COPPER ALLOY, SILVER PLATE
 FIXED CONTACT/TERMINAL: COPPER ALLOY, TIN/LEAD PLATE
 TERMINAL SEAL: SP EPOXY.

ELECTRICAL:

CONTACT RATING: 1 AMP @ 125 VAC OR 28 VDC.
 INITIAL CONTACT RESISTANCE: 20 MILLIOHMS MAX.
 INSULATION RESISTANCE: 1000 MEGOHMS @ 500 VDC MIN.
 DIELECTRIC STRENGTH: 1000 VOLTS RMS @ SEA LEVEL
 LIFE EXPECTANCY: 60,000 CYCLES

MECHANICAL:

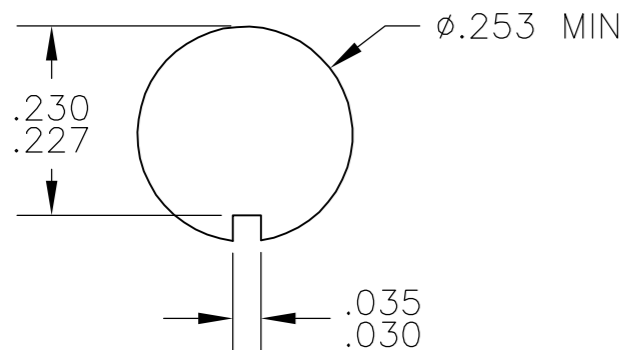
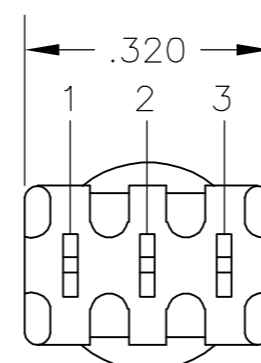
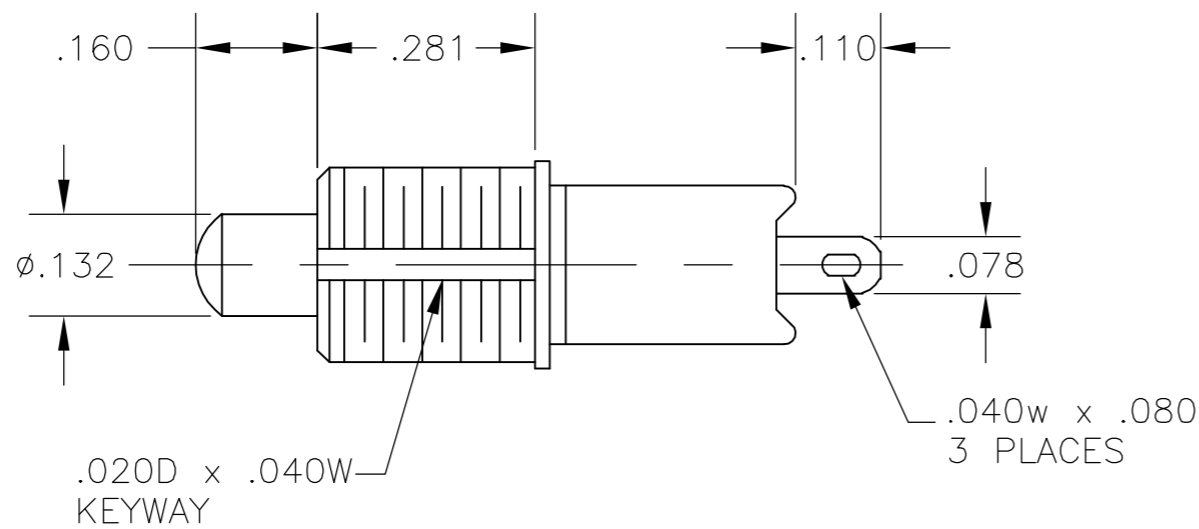
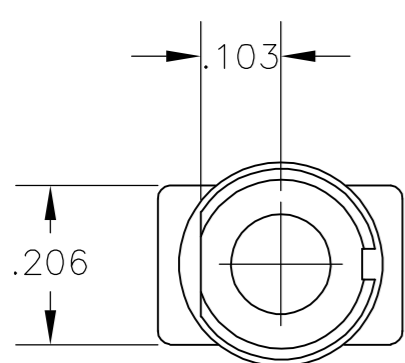
ACTUATION FORCE: 50 TO 400 GRAMS
 ACTUATION TRAVEL: .030"

ENVIRONMENTAL:

OPERATING TEMPERATURE: -22°F TO +140°F (-30°C TO +65°C)
 STORAGE TEMPERATURE: -22°F TO +140°F (-30°C TO +65°C)

NOTES:

- INTERPRET DRAWING PER ASME Y14.5M-1982
- HARDWARE INCLUDED: (2) HEX NUTS
(1) LOCK WASHER



RECOMMENDED PANEL LAYOUT
 TOLERANCE $\pm .002$ UNLESS
 OTHERWISE SPECIFIED

BUTTON COLOR AVAILABLE	
(0)	BLACK
(2)	RED
(6)	BLUE

TERMINALS CONNECTED WHEN TOGGLE IN POSITIONS SHOWN		
SWITCH NO.		
TPF13C(*)	OFF	3 TO 1(MOM)
TPF13F(*)	2 TO 1	2 TO 3(MOM)

NOTE:
 DESIGNATION NUMBERS ARE FOR REFERENCE ONLY AND DO NOT APPEAR ON THE SWITCHES

T & B D/N 40311-SD

THIS DRAWING IS A CONTROLLED DOCUMENT.		DWN L. COLE	29MAR00	tyco Electronics		Tyco Electronics Corporation Harrisburg, Pa 17105-3608	
DIMENSIONS: INCHES	TOLERANCES UNLESS OTHERWISE SPECIFIED:	CHK -	APVD -	NAME PUSH BUTTON SWITCH (TPF13 SERIES)			
	0 PLC \pm - 1 PLC \pm - 2 PLC \pm .01 3 PLC \pm .005 4 PLC \pm .0020 ANGLES \pm 1'	PRODUCT SPEC -	APPLICATION SPEC -	SIZE A2	CAGE CODE 00779	DRAWING NO 8-1437572-2	RESTRICTED TO -
MATERIAL -	FINISH -	WEIGHT -	CUSTOMER DRAWING	SCALE 4:1	SHEET 1 OF 1	REV B	

8-1437572-2