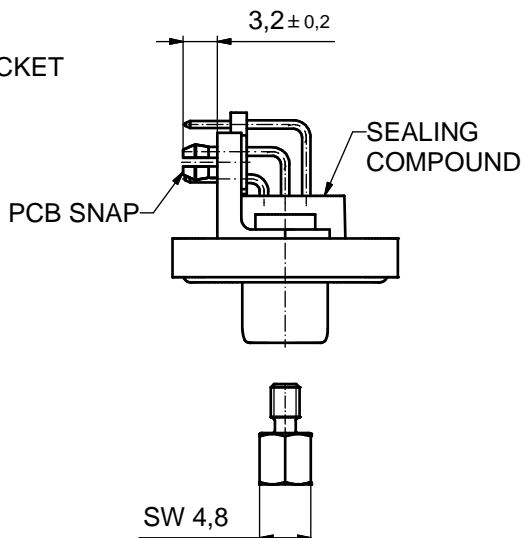
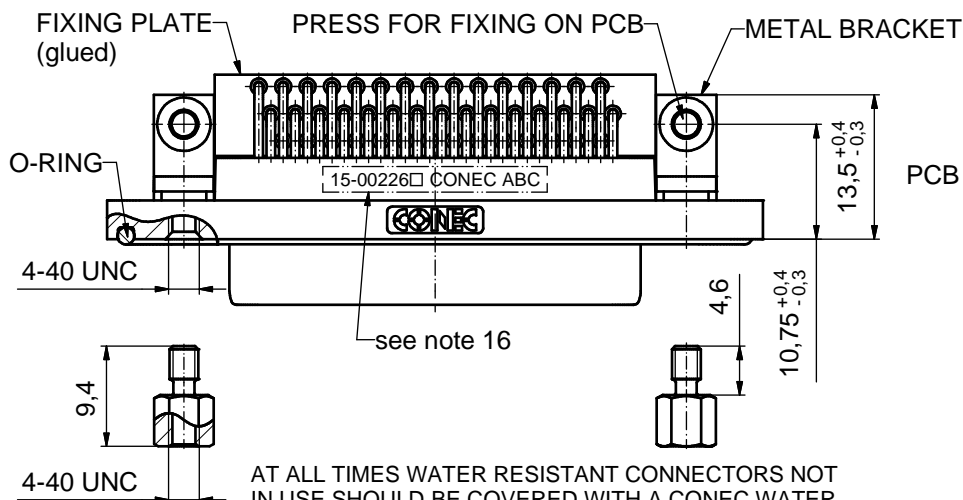
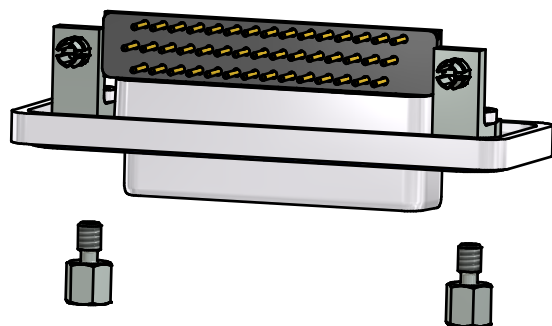
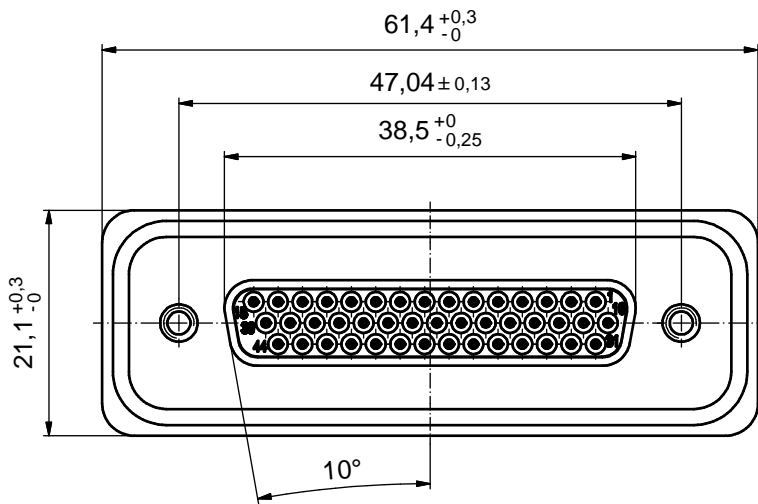
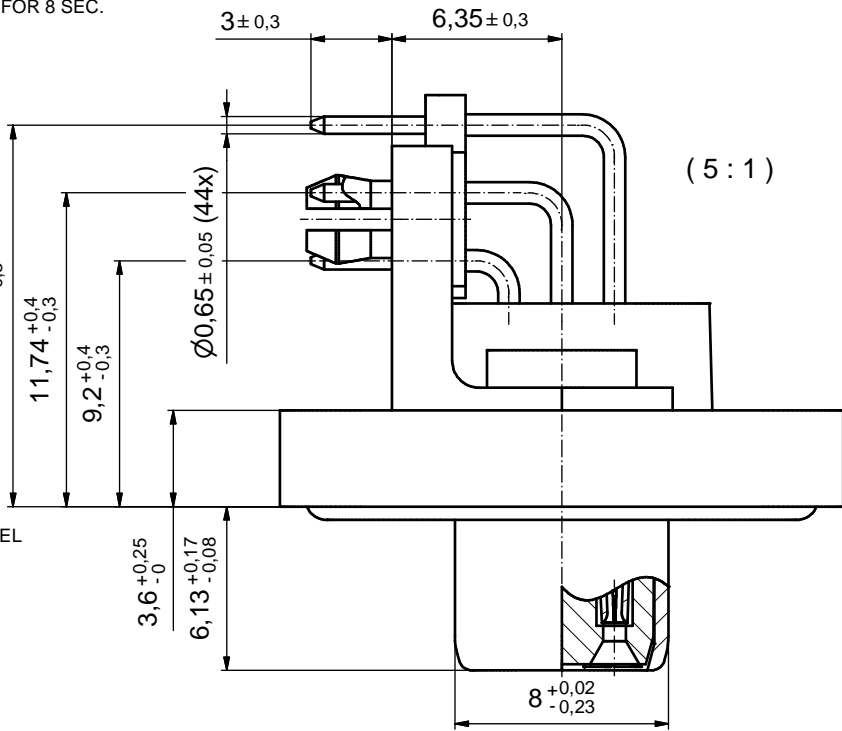


NOTES:

1. FOR WAVESOLDERING (SOLDER BATH TEMPERATURE 265°C FOR 8 SEC. AND SOLDER PREHEAT 150°C FOR 180 SEC.)
2. IP RATING: IP 67
3. SEALED TO WITHSTAND PRESSURE UP TO 1,45 PSI FOR 30 MINUTES AFTER HIGH TEMPERATURE EXPOSURE
4. METALSHELL:
ZINC DIE CAST; min. 50µin NICKEL PLATING over COPPER
5. INSULATORS: PBT GF UL 94 V-0, BLACK
6. O-RING: SILICONE PER ASTM D2000 70 SHORE A
7. SEALING COMPOUND: EPOXY RESIN UL 94 V-0; BLACK
8. CONTACTS: COPPER ALLOY
PLATING (SEE PART NO):
 PLEASE ADD 1 for 30µin HARD GOLD over min. 50µin NICKEL
 PLEASE ADD 3 for 8µin HARD GOLD over min. 50µin NICKEL
9. METAL BRACKETS: ZINC DIE CAST;
300µin COPPER/40-120µin NICKEL/120-200µin TIN
10. WASHERS: COPPER ALLOY; 80µin NICKEL
11. HEXLOCKING SCREWS: STAINLESS STEEL
12. FIXING-PLATE: PBT GF UL 94 V-0; BLACK
13. PCB-SNAPS: COPPER ALLOY; min. 200µin TIN over 80µin NICKEL
PCB-HOLE: $\varnothing 3.1 \pm 0.1$; PCB THICKNESS 1.6mm
14. P.C.B. HOLE DRILLINGS and RECOMMENDED PANEL CUT-OUT ON SHEET 2
15. RECOMMENDED TORQUE FOR MOUNTING SCREW 35Ncm (3.1 in.LB) / max.67Ncm (6 in.LB)
16. CONNECTOR IS PART MARKED: 15-00226 CONEC ABC



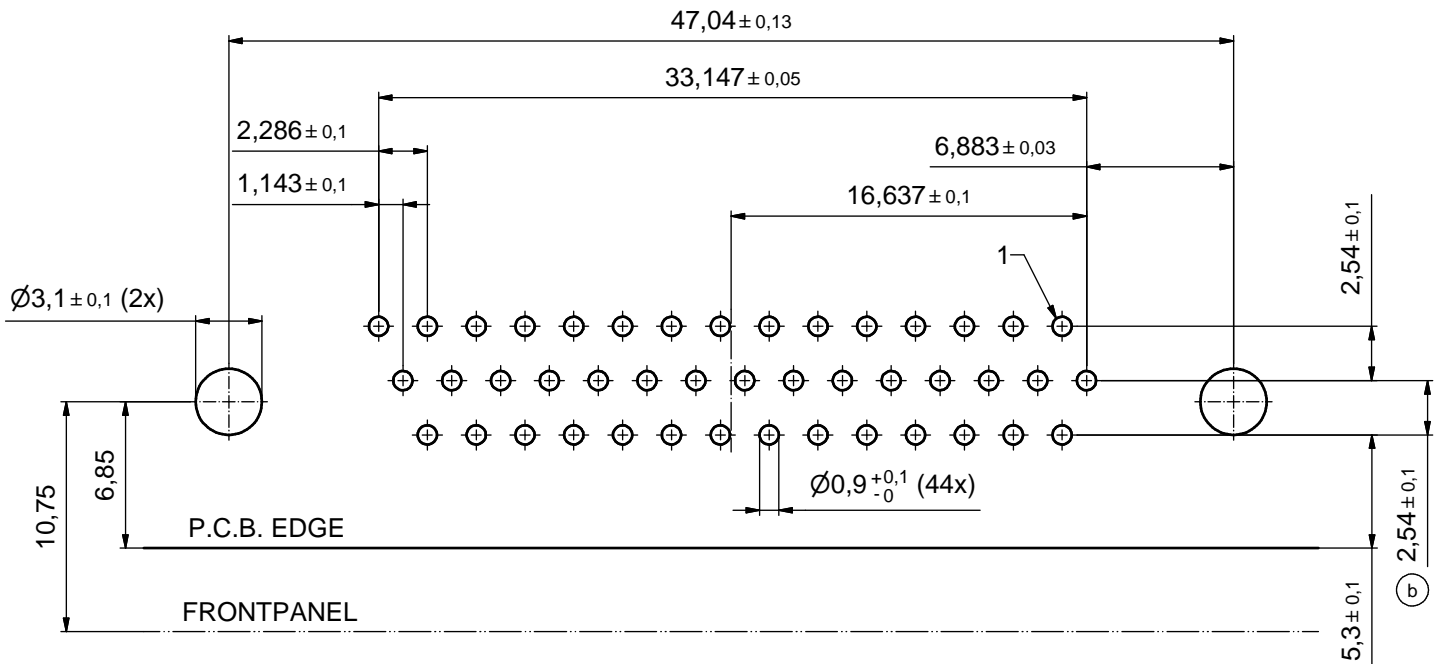
AT ALL TIMES WATER RESISTANT CONNECTORS NOT IN USE SHOULD BE COVERED WITH A CONEC WATER RESISTANT CAP OR WATER TIGHT HOOD.

Directive 2002/95/EC RoHS compliant

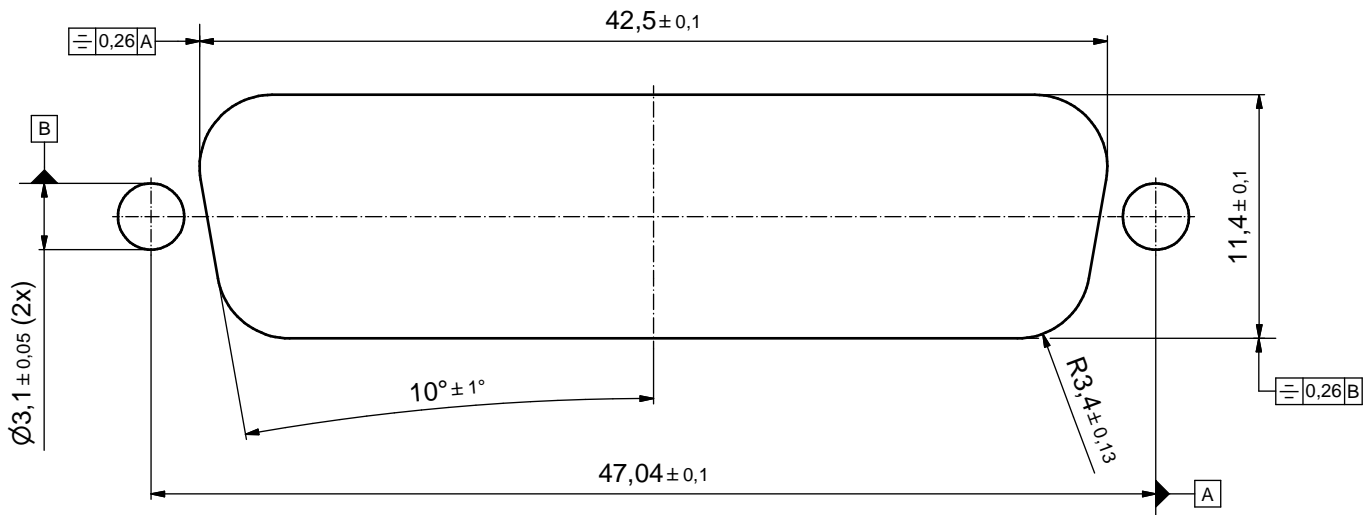
THIS DRAWING MAY NOT BE COPIED OR REPRODUCED IN ANY WAY, AND MAY NOT BE PASSED ON TO A THIRD PARTY WITHOUT WRITTEN PERMISSION. OWNERSHIP AND COPYRIGHT OF CONEC GmbH DO NOT ALTER CAD DRAWING BY HAND	tolerance		dim. in mm	scale: 2:1 (5:1)		
				material: see notes		
	drawn	25.11.09		Schmidt	title: D-SUB HD FEMALE 90° 44pos. SOLDER PIN ANGLED metal bracket, fixing plate, hexlocking screw, snap	
	appd.	27.11.09		Fischer		
norm						
rev.	a	Original		dwg no: Inventor 10	DIN-A3	
part no: 15-00226 (see note 8)				sh: 1		

P.C.B. HOLE DRILLINGS

(P.C.B. TOP SIDE)



RECOMMENDED PANEL CUT-OUT



THIS DRAWING MAY NOT BE COPIED OR REPRODUCED IN ANY WAY, AND MAY NOT BE PASSED ON TO A THIRD PARTY WITHOUT WRITTEN PERMISSION. OWNERSHIP AND COPYRIGHT OF CONEC GmbH DO NOT ALTER CAD DRAWING BY HAND					tolerance	dim. in mm	scale:	4:1	
					date		name	material:	see sheet 1
					drawn	25.11.09	Schmidt	title: P.C.B. HOLE DRILLINGS PANEL CUT-OUT D-SUB Female 44pos. HD Solder pin angled 90°	
					appd.	27.11.09	Fischer		
					norm				
				d-old			dwg no:	Inventor 10	DIN-A3
1 x b	Ä 4338	19.06.2012	Lehm.	CONEC ®			15K1A514		sh: 2
a	Original						part no:		see sheet 1