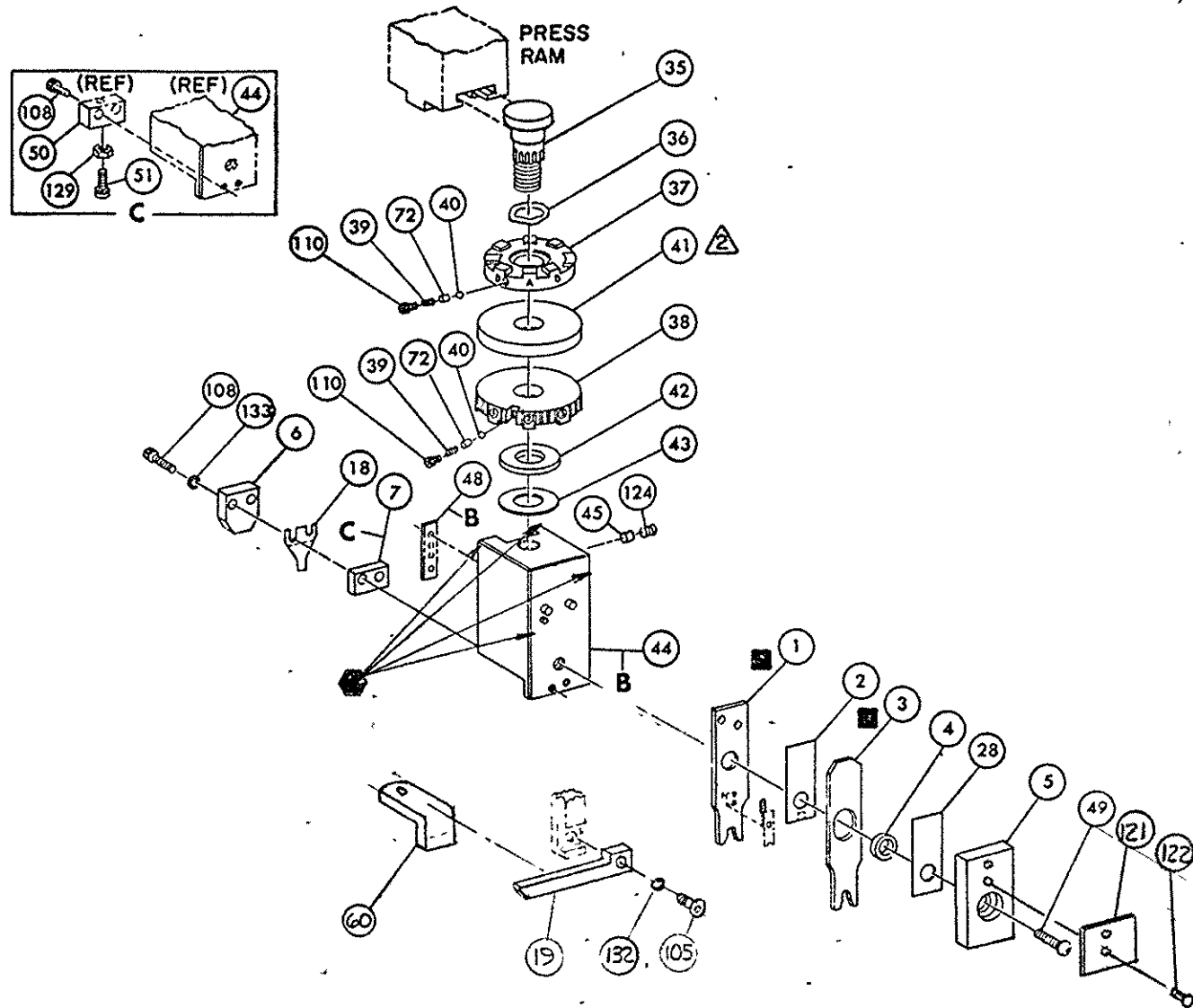
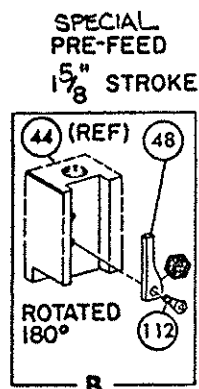


THIS DRAWING IS A CONTROLLED DOCUMENT FOR AMP INC. IT IS SUBJECT TO CHANGE AND THE CONTROLLING ENGINEERING ORGANIZATION SHOULD BE CONTACTED FOR THE LATEST REVISION.

THIS IS A CONTROLLED DOCUMENT.



NOTES:

1- ONLY THE ITEMS WITH QUANTITIES SPECIFIED ON PARTS LIST ARE USED ON THIS APPLICATOR.

△ USED IN PLACE OF ITEM 38 WHEN INSULATION CRIMP IS NOT USED.

3-FEED PIVOT-HOLE

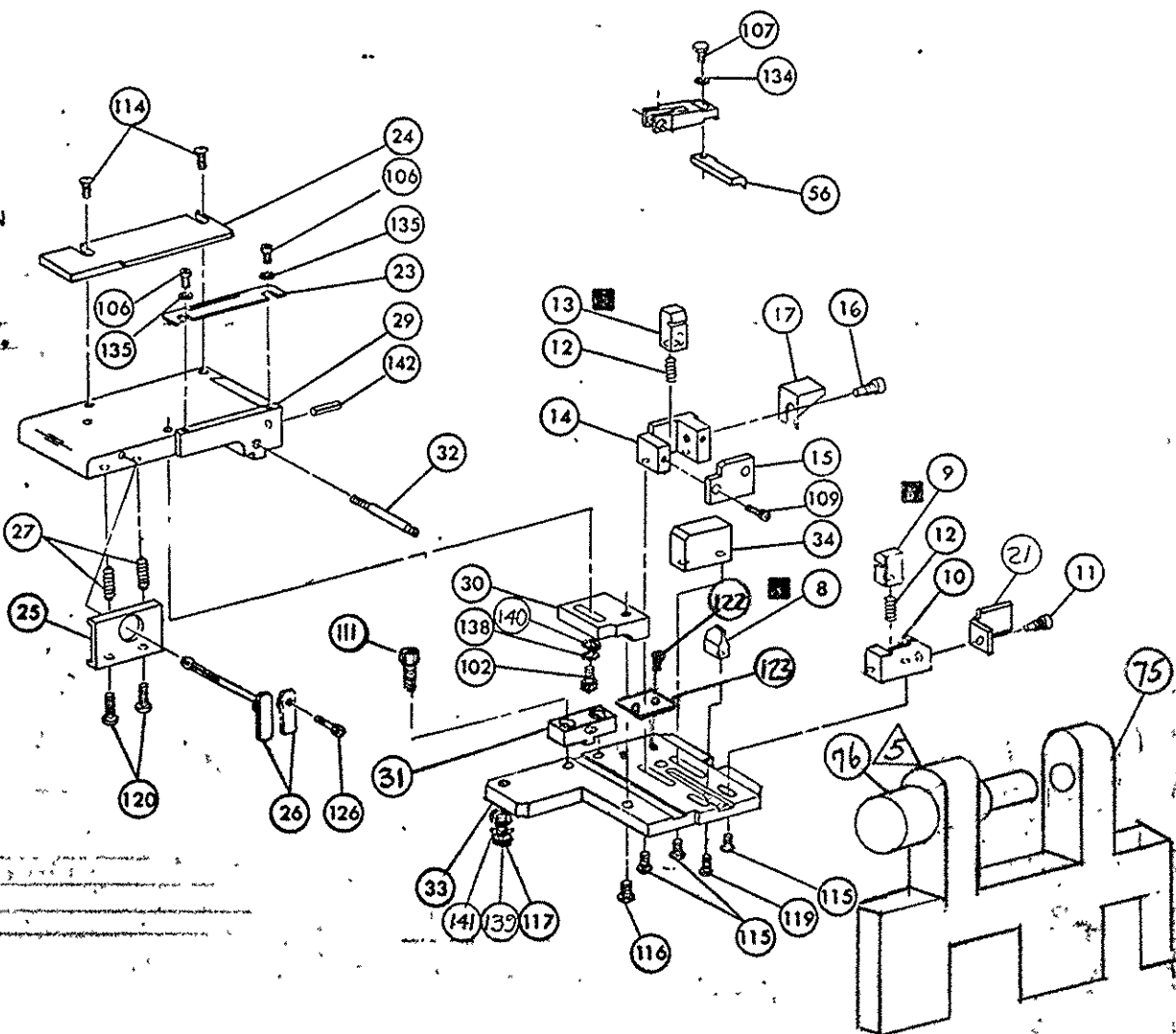
△ PART NOT ON PRINT.

KEY:

□ RECOMMENDED SPARE PARTS

● GREASE WEEKLY

△ REPLACE LEFT STRIPPER AIR CYL. PIN 462639-1 FOR GREATER SIZE IF USED ON S.C. PIN 463345-1 OR -2.



QTY	PART NO	DESCRIPTION	ITEM NO
1	4-21028-0	PIN, SLOT SPR (.093 DIA X .75) STR G PLATE	142
1	21899-2	WASHER, FLAT (NO 10) MOUNTING	141
1	21899-2	WASHER, FLAT (NO 10) S. G. ADJ BLOCK	140
1	21024-5	WASHER, LOCK (NO 10) MOUNTING	139
1	21024-5	WASHER, LOCK (NO 10) STRIP GUIDE ADJ BLOCK	138
1	811242-2	BUMPER, HOLDDOWN	137
1	690753-1	SPACER, TONKER	136
1	7-21002-9	BOLT, CRIMPER (BUT. HD. 5/16-24 UNF X 1.00)	135
1	690602-6	CAM PRE FEED 1.62 STROKE	134
2	21024-4	WASHER, LOCK (NO 8) FEED FINGER	133
2	21024-4	WASHER, LOCK (NO 8) DEPRESSOR	132
2	21024-4	WASHER, LOCK (NO 8) STRIPPER	131
1	21018-5	NUT, HEX MACH (6-32) HOLDDOWN	129
1	690191-1	PLUG, NYLON	128
1	455673-1	RAM	127
1	690125-1	WASHER, LAMINATED	126
1	690124-1	WASHER, RAM	125
1	690170-1	DISC, SPACER	124
1	23241-6	BALL, STEEL	123
2	690170-1	SPRING, COMPRESSION	122
1	690142-1	DISC, INSULATION	121
1	6-690692-3	DISC, WIRE	120
1	22480-5	WASHER, SPRING	119
1	690212-1	POST, RAM	118
1	692776-2	SUPPORT, TERMINAL	117
1	462544-1	PLATE, BASE SPECIAL	116
1	690432-3	SCREW, ADJUSTMENT	115
1	462543-1	BLOCK, SCREW SPECIAL	114
1	455689-1	BLOCK, STRIP GUIDE ADJ	113
1	455671-9	PLATE, STRIP GUIDE	112
1	1-455888-0	SPACER, FRONT SHEAR DEPRESSOR	111
2	1-22284-0	SPRING, DRAG	110
1	690546-1	LEVER, DRAG RELEASE	109
1	240792-1	DRAG, STOCK	108
1	6-690504-2	GUIDE STRIP (REAR)	107
1	690438-1	GUIDE, STRIP (FRONT)	106
1	463756-1	GUIDE, SCRAP	105
1	462615-1	STRIPPER	104
1	462544-1	HOLDER, TERMINAL	103
1	462544-1	GUARD, CHIP (REAR)	102
1	462544-1	STOP, SHEAR (REAR)	101
1	462544-1	PLATE, SHEAR (REAR)	100
1	462544-1	HOLDER, SHEAR (REAR)	99
1	462544-1	SHEAR, FLOAT (REAR)	98
1	462544-1	SPRING, SHEAR	97
1	5-22280-0	STOP, SHEAR (FRONT)	96
1	690461-2	HOLDER, SHEAR (FRONT) SPECIAL	95
1	462548-1	SHEAR, FLOAT (FRONT) SPECIAL	94
1	462547-1	ANVIL	93
1	8-458834-8	SPACER, DEPRESSOR (REAR)	92
1	462838-1	DEPRESSOR, SHEAR (REAR)	91
1	462838-1	DEPRESSOR, SHEAR (FRONT) SPECIAL	90
1	2-238011-2	SPACER, TUBULAR, INS CRIMPER	89
1	2-456135-4	CRIMPER, INSULATION	88
1	455888-1	SPACER, CRIMPER	87
1	456406-2	CRIMPER, WIRE	86
1	463310-3	BLADE, STRIPPING (M16)	85
1	684620-1	GRIPPER CYLINDER SUB ASSY. 15	84
1	813209-1	MOUNT STRIPPER	83
2	690603-1	SPRING, ASSIST	82
1	462615-1	STRIPPER	81
1	462615-1	HOLDER, TERMINAL	80
1	462615-1	GUARD, CHIP (REAR)	79
1	462615-1	STOP, SHEAR (REAR)	78
1	462615-1	PLATE, SHEAR (REAR)	77
1	462615-1	HOLDER, SHEAR (REAR)	76
1	462615-1	SHEAR, FLOAT (REAR)	75
1	462615-1	SPRING, SHEAR	74
1	5-22280-0	STOP, SHEAR (FRONT)	73
1	690461-2	HOLDER, SHEAR (FRONT) SPECIAL	72
1	462548-1	SHEAR, FLOAT (FRONT) SPECIAL	71
1	462547-1	ANVIL	70
1	8-458834-8	SPACER, DEPRESSOR (REAR)	69
1	462838-1	DEPRESSOR, SHEAR (REAR)	68
1	462838-1	DEPRESSOR, SHEAR (FRONT) SPECIAL	67
1	2-238011-2	SPACER, TUBULAR, INS CRIMPER	66
1	2-456135-4	CRIMPER, INSULATION	65
1	455888-1	SPACER, CRIMPER	64
1	456406-2	CRIMPER, WIRE	63
1	463310-3	BLADE, STRIPPING (M16)	62
1	684620-1	GRIPPER CYLINDER SUB ASSY. 15	61
1	813209-1	MOUNT STRIPPER	60
2	690603-1	SPRING, ASSIST	59

QTY	PART NO	DESCRIPTION	ITEM NO
1	469484-1	STOP, WIRE	60

APPL USED ON MACHINE PART NO	MACH SERIAL NO	NO	REV
CUSTOMER NAME	APPL SERIAL NO	TO APPLY TERMINAL	114-10004
ADDRESS	PURCHASE ORDER	DISTRIBUTION	ORIGINAL
CITY	ENG APP	CUSTOMER COPY	FIELD ENG COPY

CRIMPING DATA				APPLICATOR WILL APPLY	
PAD LTR	CRIMP HEIGHT	WIRE SIZE	WIRE LENGTH	PIN	SOC
A	.051	18		66359	66358
B	NOT USED			66673	66664
C	.068	14			
D	.059	16			

REV	DATE	DESCRIPTION	APP	DATE	DESCRIPTION	APP
1	0150-0937-02	TE 7-02	YD	REV 81798	8-26	SET UP GAGE 10-1
2	0150-7626-97	05-26-97	YD	ECN R6345	11-18	APP 14/98
3	0150-7553-97	05-27-97	YD	REV PER ECN R-5158		OR STAMP 11/11/98
4	0150-7147-96	05-27-97	YD	REV PER ECN R-5327		OR STAMP 11/11/98
5	0150-6438-95	05-27-97	YD	REV PER ECN R-5327		OR STAMP 11/11/98
6	EC A-3639-92	05-27-97	YD	REV PER ECN R-5005		OR STAMP 11/11/98
7	ECN A-045888	05-27-97	YD	REV PER ECN R-2054		OR STAMP 11/11/98

466923-2