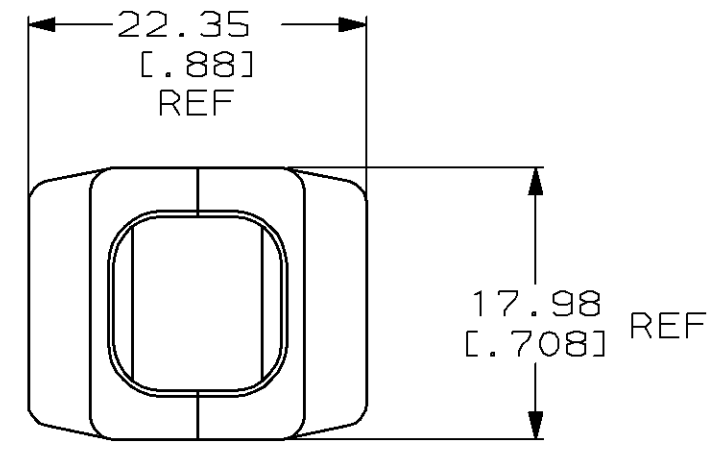
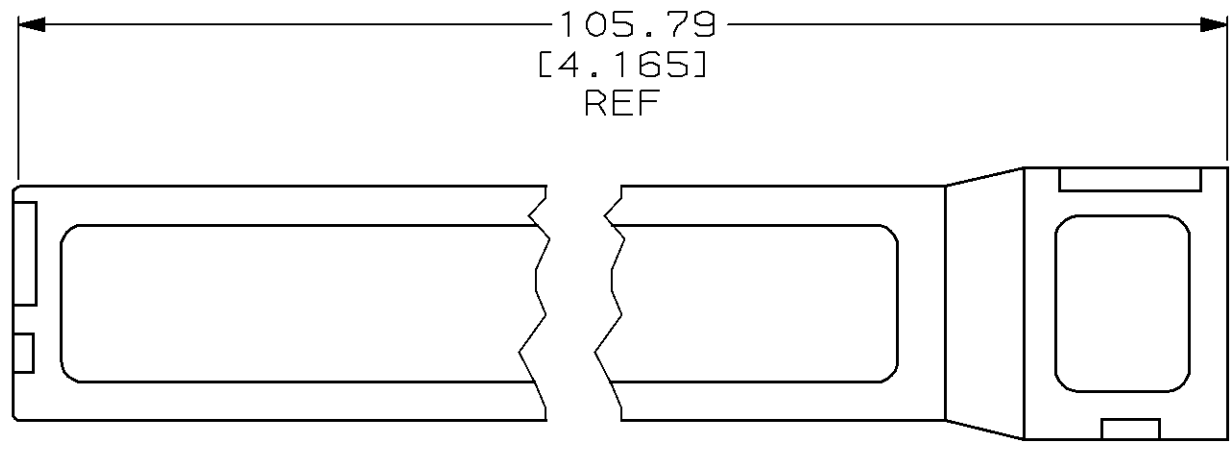


THIS DRAWING IS UNPUBLISHED. RELEASED FOR PUBLICATION ,19 .
 © COPYRIGHT 19 BY AMP INCORPORATED. ALL RIGHTS RESERVED.

LOC	DIST	REVISIONS			
P	LTR	DESCRIPTION	DATE	DWN	APVD
AA	20	C	REV PER EC 0502-0069-98	02FEB98	CW MH

- ① MATERIAL: COVER-THERMOPLASTIC.
- 2. TWO IDENTICAL COVERS REQUIRED FOR ASSEMBLY.
- 3. CABLE RANGE: .380-.400 DIA.



GRAY	552773-3
BLACK	552773-1
COLOR	PART NO.

THIS DRAWING IS A CONTROLLED DOCUMENT.		DWN S. TUTTLE 24JAN78	AMP Incorporated Harrisburg, PA 17105-3608				
DIMENSIONS: mm [INCHES]		CHK R. REICH 26JAN78					
TOLERANCES UNLESS OTHERWISE SPECIFIED:		APVD -	NAME COVER, 50 POSN, SYMM, B/B, CHAMP®				
0 PLC ±- 1 PLC ±- 2 PLC ±- 3 PLC ±- 4 PLC ±- ANGLES ±-		PRODUCT SPEC -	SIZE A3	CAGE CODE 00779	DRAWING NO C- 552773	RESTRICTED TO -	
MATERIAL ①	FINISH -	WEIGHT -	CUSTOMER DRAWING		SCALE 2:1	SHEET 1 OF 1	REV C