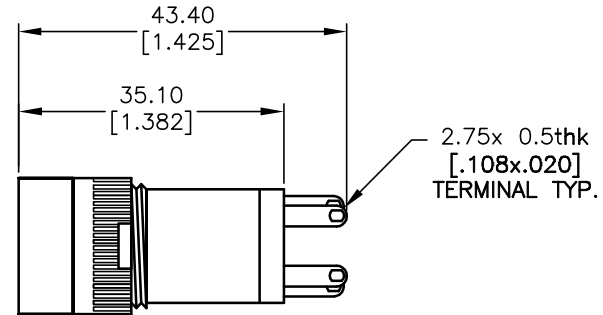
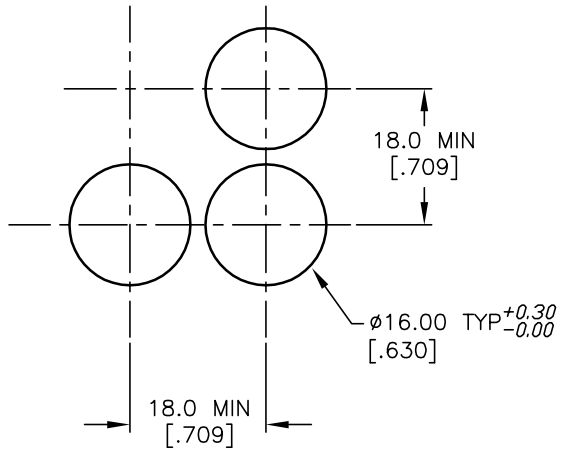
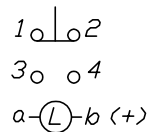


PARTS LIST

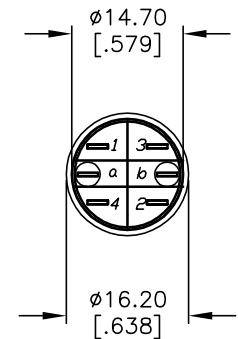
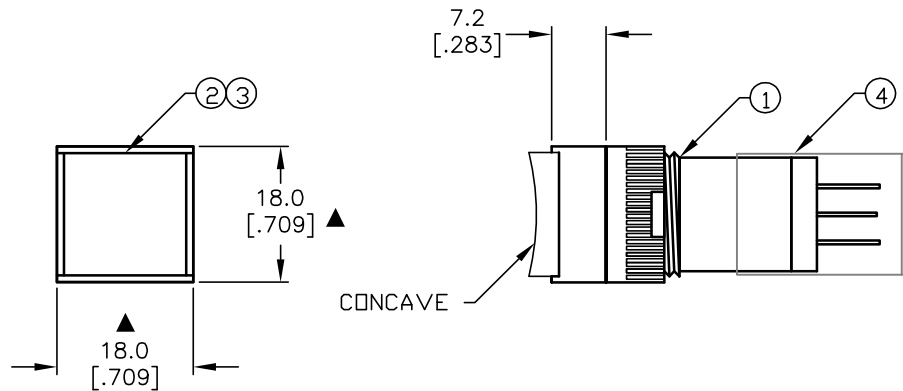
ITEM	QTY.	PART NO.	PART DESCRIPTION
1	1	F040011	P16 EE S11
2	1	F050402	50-004-02 (Incandescent)
3	1	F050304	50-003-04 (RED LENS TRANSPARENT)
4	1	F051601	P16 PLASTIC TERMINAL PROTECTOR



RECOMMEND PANEL MOUNTING



SPST
CONTACT CONFIGURATION



NOTES:

1. ALL DIMENSIONS IN MM [INCH]
2. GENERAL TOLERANCE: X.X=±0.4
X.XX=±0.25
3. TERM. NOS. FOR REFERENCE ONLY.
4. RATING: 5A@250V AC;
8A@125V AC
5. MECHANICAL LIFETIME: >2 MILLION OPERATIONS
6. TRAVEL: 3.0MM (TOTAL)
7. CONTACT MATERIAL: COPPER ALLOY W/SILVER PLATING
8. LAMP VOLTAGE: 6V DC/200mA
9. ▲ DENTOES CRITICAL PARAMETER.

E-SWITCH®

TITLE

P16EES11ARED

REV.	ECN No.	DESCRIPTION	DATE	CHKD
A	13385	RELEASED FOR PRODUCTION	8/20/03	AR

SCALE

1.5:1

DATE

8/20/03

DR

AR

DWG

XF0565P

REV

A

THE INFORMATION CONTAINED IN THIS DOCUMENT IS PROPRIETARY TO E-SWITCH AND IS NOT TO BE COPIED OR TRANSFERRED