

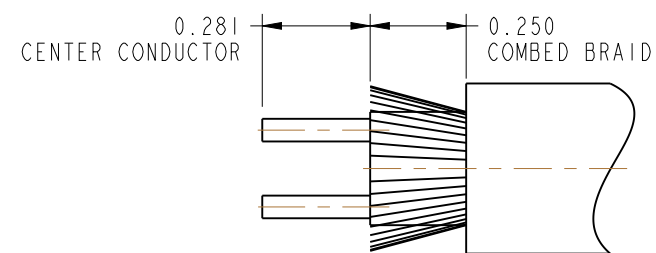
NOTES:

- MATERIALS AND FINISHES:
 BODY, SLEEVE, CONTACT, BRAID CLAMP, PIN
 CLAMP NUT, COUPLING NUT - BRASS, SILVER PLATING
 INSULATOR - COPOLYMER OF STYRENE
 GASKET - SILICONE RUBBER, RED
 GASKET - SYNTHETIC RUBBER
 RETAINING RING - PHOSPHOR BRONZE
- PACKAGING:
 A. QUANTITY: SINGLE PACK
 B. MARKING: BAG TO BE MARKED
 "AMPHENOL RF, 32225, AND DATE CODE"
- FOR CABLE ASSEMBLY INSTRUCTIONS, SEE SPEC C19.
- SHOWS CABLE ENTRY DIMENSIONS.

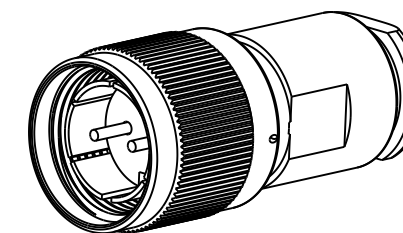
THIRD ANGLE PROJ.

REVISIONS

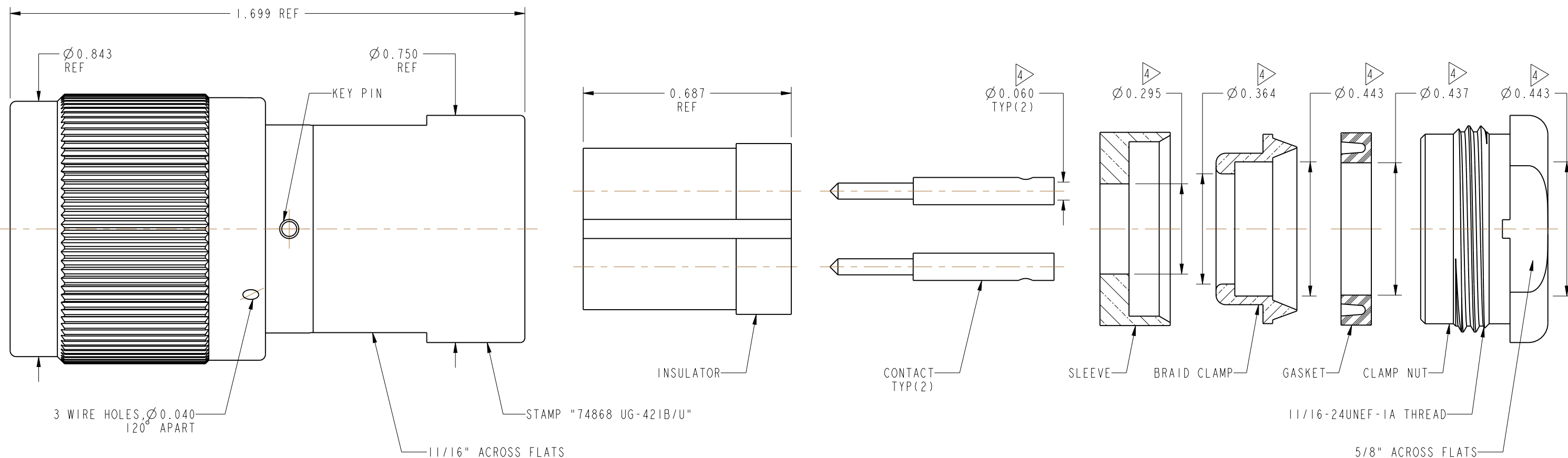
REV	DESCRIPTION	DATE	ECO	APPR
--	RELEASE TO MFG.	--	--	--
U	REDRAWN IN PRO-E & COD SHEET ADDED	6/18/15	50333	AAP



RECOMMENDED CABLE STRIPPING DIMENSIONS



SCALE 1:100



CUSTOMER OUTLINE DRAWING

ALL OTHER SHEETS ARE FOR INTERNAL USE ONLY

UNLESS OTHERWISE SPECIFIED, DIMENSIONS ARE IN INCHES AND TOLERANCES ARE: 2 PLACE DECIMAL 3 PLACE DECIMAL ANGLES ±.015 (0,381 mm) ±.005 (0,127 mm) ± 1° NOTICE - These drawings, specifications, or other data (1) are, and remain the property of Amphenol corp. (2) must be returned upon request; and (3) are confidential and not to be disclosed to any person other than those to whom they are given by Amphenol Corp. the furnishing of these drawings, specifications, or other data by Amphenol Corp., or to any other person to anyone for any purpose is not to be regarded by implication or otherwise in any manner licensing, granting rights to permitting such holder or any other person to manufacture, use or sell any product, process or design, patented or otherwise, that may in any way be related to or disclosed by said drawings, specifications, or other data.	MATERIAL	DRAWN	DATE	TITLE TWINAX STR PLUG FOR RG-22/U CABLE		Amphenol RF www.amphenolrf.com	
	SEE NOTES	A ARUN PRABU	02-Jan-15				
	REFERENCE	APPROVED	DATE	SCALE: 3.0:1.0 SHEET 2 OF 2		DRAWING NO. 32225	
	REB 49320 MIL-C-3655-11 CONFIGURATION LEVEL: In Work FINISH	K. CAPOZZI	6/18/15	CAD FILE	DWG SIZE	REV	ITEM NO. 32225
				B	U	PART NO. 32225	