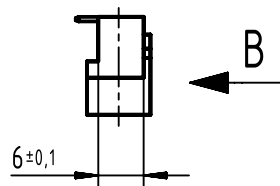
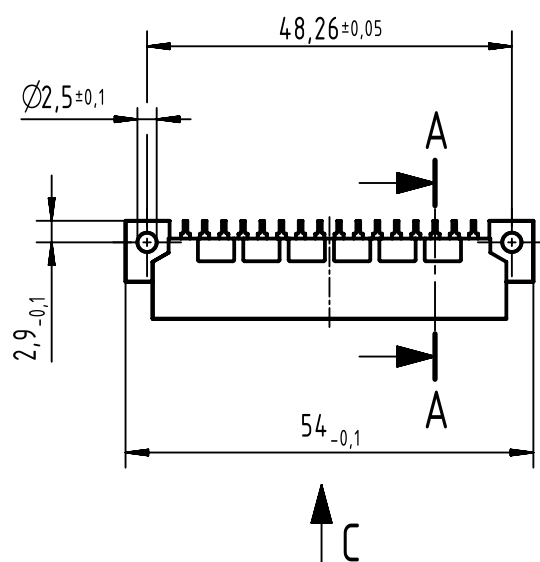
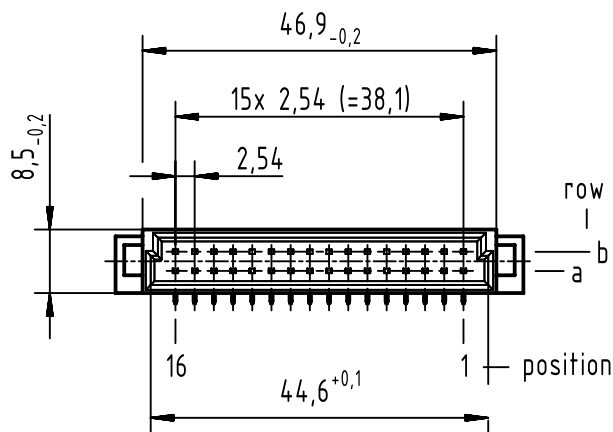
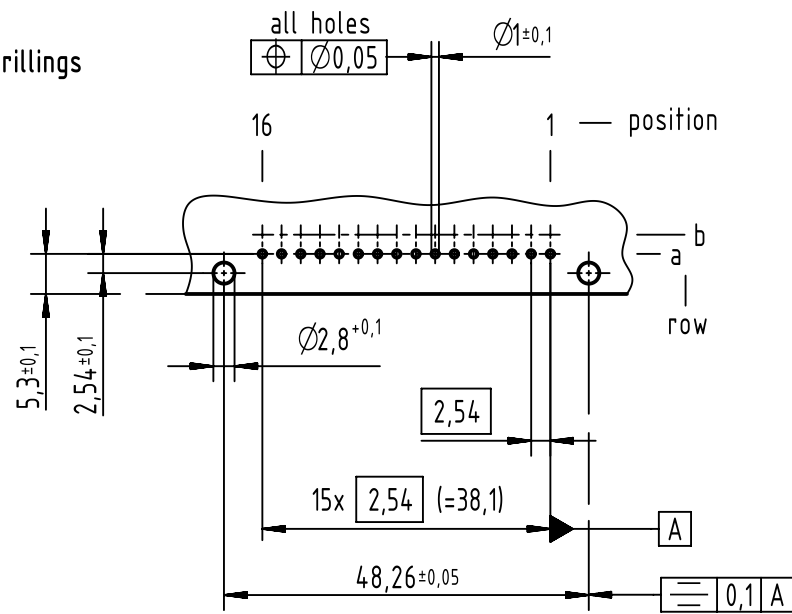
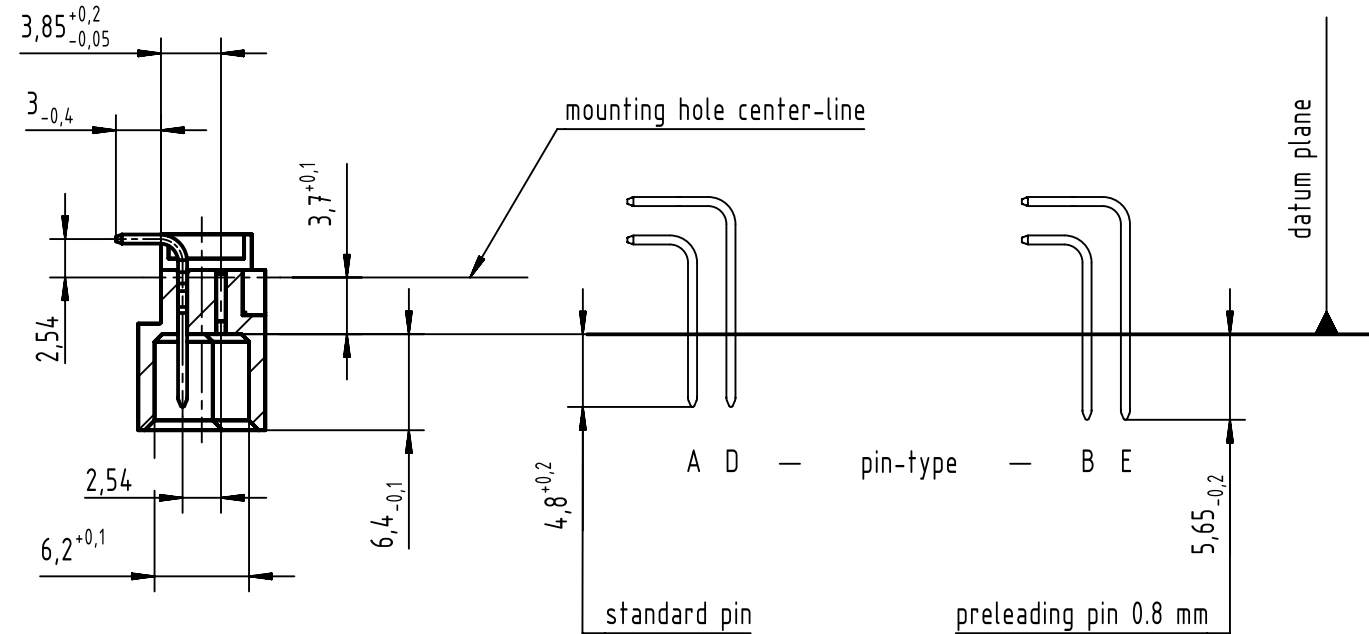


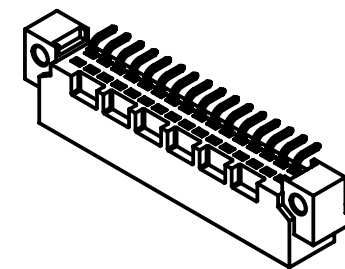
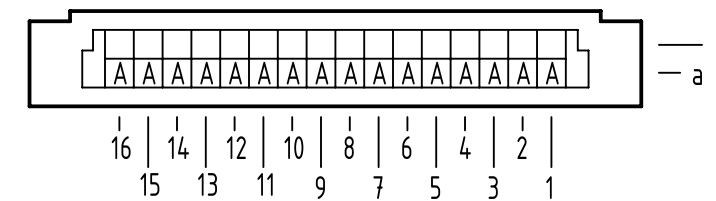
B
board drillings



A-A (2:1)



C
contact loading



1 further information see: DS 09031200201

09 22 116 6931	2
part-no.	performance level 1

<p>All rights reserved Department EC PD - DE</p> <p>HARTING Electronics GmbH D-32339 Espelkamp</p>	<p>All Dimensions in mm Original Size DIN A3</p>	<p>Scale 1:1</p>	<p>Free size tol. IEC 60603-2</p>	<p>Ref. Sub. TB 0922116X931 / 500000088910 / 2015-05-27</p>
	<p>Created by STORCK</p>	<p>Inspected by LEHNERT</p>	<p>Standardisation HOFFMANN</p>	<p>Date 2016-03-31</p>
<p>Title DIN Signal type 2B male solder angled 16-pole</p>				<p>Doc-Key / ECM-Nr. 100072919/UGD/010/C 500000100625</p>
<p>Type TB</p>		<p>Number 0922116X931</p>		<p>Rev. C</p>
				<p>Page 1/1</p>