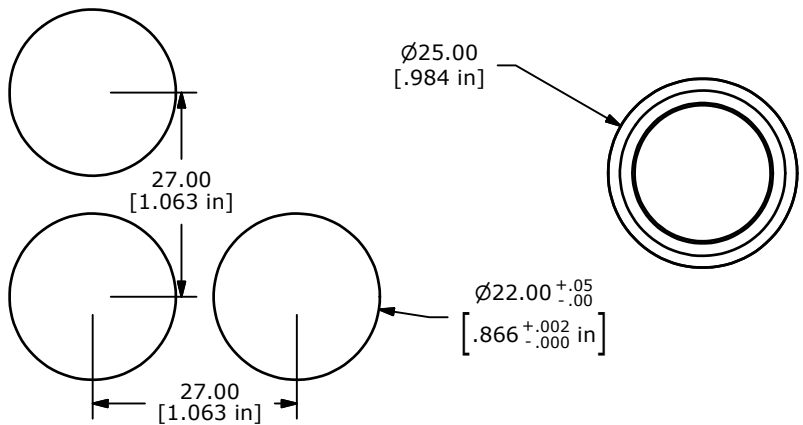
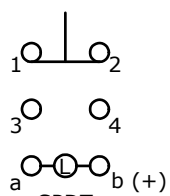


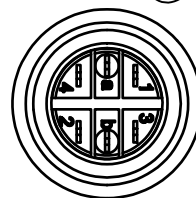
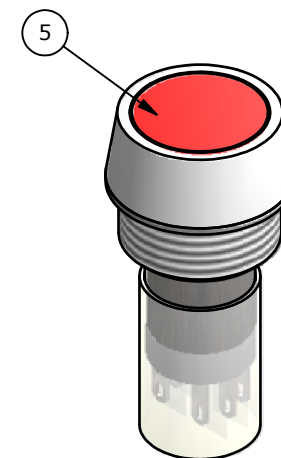
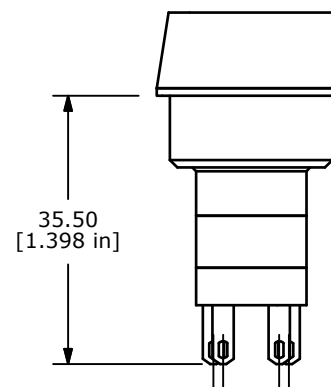
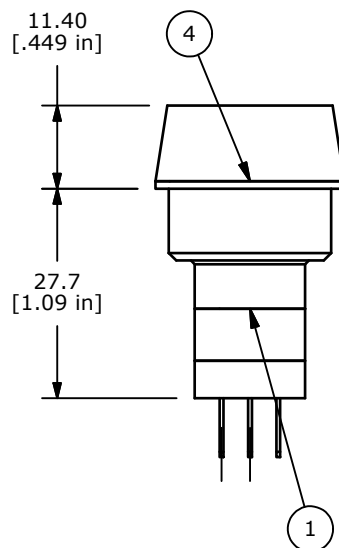
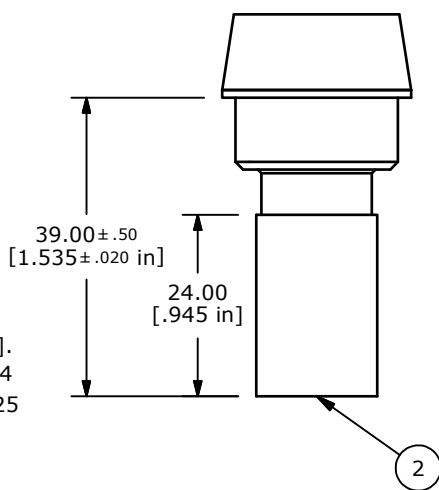
Parts List				
ITEM	QTY	PART NUMBER	DESCRIPTION	
1	1	F060621	LAKOAV11	
2	1	F051601	P16 PLASTIC TERM. PROTECTOR	
3	1	F050423	24V AC/DC LED RED	
4	1	F051702	25MM RING	
5	1	F060255	25MM RED LENS	



RECOMMEND PANEL MOUNTING



CONTACT CONFIGURATION



- NOTES:
1. ALL DIMENSIONS IN MM [INCH].
 2. GENERAL TOLERANCE: 0.0±0.4
 3. TERM. NOS. FOR REF. ONLY.
 4. RATING: 5A @250VAC
8A @125VAC
2A @250VDC
6A @24VDC

5. ELECTRIC LIFE: 50,000 MAKE-OR-BREAK CYCLES AT FULL LOAD.
6. INSULATION: 1,000 MΩ MIN.
7. DIELECTRIC STRENGTH: 1,500V FOR 1 MIN
8. OPERATING TEMP: -25°C TO 55°C
9. LENS COLOR: RED
10. LAMP VOLTAGE: 24V AC or DC
11. PANEL THICKNESS: 4 mm MAX.
12. DEGREE OF PROTECTION: IP65
13. 2002/95/EC (ROHS) COMPLIANT



TITLE LAKOAV11KREDRED				
SCALE 1:1	DATE 3/9/2011	DR BGL	DWG XF0285P	REV A

A	19744	RELEASED FOR PRODUCTION	3/9/11	BGL
REV	PCR NO	DESCRIPTION	DATE	BY

THE INFORMATION CONTAINED IN THIS DOCUMENT IS PROPRIETARY TO E-SWITCH AND IS NOT TO BE COPIED OR TRANSFERRED