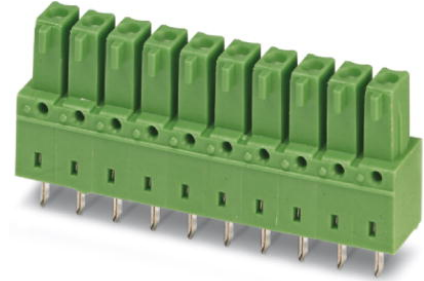



IMCV 1,5/ 7-G-3,81

Order No.: 1875470

The figure shows a 16-pos. version of the product

<http://eshop.phoenixcontact.de/phoenix/treeViewClick.do?UID=1875470>

Header, Nominal current: 8 A, Rated voltage (III/2): 160 V, Number of positions: 7, Pitch: 3.81 mm, Color: green, Metal surface: Sn, Assembly: Soldering

Commercial data	
GTIN (EAN)	 4 017918 133979
Note	Made-to-order
sales group	E135
Pack	50 pcs.
Customs tariff	85366990
Catalog page information	Page 187 (CC-2009)

Product notesWEEE/RoHS-compliant since:
01/01/2003

<http://www.download.phoenixcontact.com>
Please note that the data given here has been taken from the online catalog. For comprehensive information and data, please refer to the user documentation. The General Terms and Conditions of Use apply to Internet downloads.

Technical data	
Dimensions / positions	
Length	6.85 mm
Pitch	3.81 mm
Dimension a	22.86 mm
Number of positions	7

Pin dimensions	0,8 x 0,8 mm
Hole diameter	1.2 mm

Technical data

Range of articles	IMCV 1,5/..-G
Insulating material group	I
Rated surge voltage (III/3)	2.5 kV
Rated surge voltage (III/2)	2.5 kV
Rated surge voltage (II/2)	2.5 kV
Rated voltage (III/2)	160 V
Rated voltage (II/2)	320 V
Connection in acc. with standard	EN-VDE
Nominal current I_N	8 A
Nominal voltage U_N	160 V
Maximum load current	8 A
Insulating material	PA
Inflammability class acc. to UL 94	V0
Nominal voltage, UL/CUL Use Group B	300 V
Nominal current, UL/CUL Use Group B	8 A
Nominal voltage, UL/CUL Use Group D	300 V
Nominal current, UL/CUL Use Group D	8 A

Certificates / Approvals



Certification

CB, CUL, GOST, UL, VDE-PZI

Accessories

Item	Designation	Description
0804109	SK 3,81/2,8:FORTL.ZAHLEN	Marker card, printed horizontally, self-adhesive, 10-section marker strip, 14 identical decades marked 1-10, 11-20 etc. up to 91-(99)100, sufficient for 140 terminal blocks

Marking

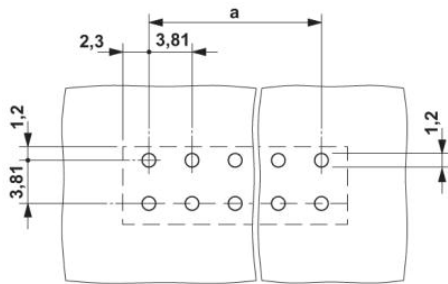
Additional products

Item	Designation	Description
General		
1897856	EMC 1,5/ 7-G-3,81	Header, Nominal current: 8 A, Rated voltage (III/2): 160 V, Number of positions: 7, Pitch: 3.81 mm, Color: green, Metal surface: Sn, Assembly: Press-in
1860692	EMCV 1,5/ 7-G-3,81	Header, Nominal current: 8 A, Rated voltage (III/2): 160 V, Number of positions: 7, Pitch: 3.81 mm, Color: green, Metal surface: Sn, Assembly: Press-in
1857935	IMC 1,5/ 7-ST-3,81	Plug component, Nominal current: 8 A, Rated voltage (III/2): 160 V, Number of positions: 7, Pitch: 3.81 mm, Color: green, Metal surface: Sn
1803329	MC 1,5/ 7-G-3,81	Header, Nominal current: 8 A, Rated voltage (III/2): 160 V, Number of positions: 7, Pitch: 3.81 mm, Color: green, Metal surface: Sn, Assembly: Soldering
1908813	MC 1,5/ 7-G-3,81 THT	Header, Nominal current: 8 A, Rated voltage (III/2): 160 V, Number of positions: 7, Pitch: 3.81 mm, Color: black, Metal surface: Sn, Assembly: SMD/THT/THR, User information and design recommendations on through hole reflow technology can be found at: http://www.combicon.com
1830004	MCD 1,5/ 7-G-3,81	Header, Nominal current: 8 A, Rated voltage (III/2): 160 V, Number of positions: 7, Pitch: 3.81 mm, Color: green, Metal surface: Sn, Assembly: Soldering, In combination with MCV plug components, both an MCVW and an MCVR plug must be used.
1843127	MCD 1,5/ 7-G1-3,81	Header, Nominal current: 8 A, Rated voltage (III/2): 160 V, Number of positions: 7, Pitch: 3.81 mm, Color: green, Metal surface: Sn, Assembly: Soldering, In combination with MCV plug components, both an MCVW and an MCVR plug must be used.
1830457	MCDV 1,5/ 7-G-3,81	Header, Nominal current: 8 A, Rated voltage (III/2): 160 V, Number of positions: 7, Pitch: 3.81 mm, Color: green, Metal surface: Sn, Assembly: Soldering, In combination with MCV plug components, both an MCVW and an MCVR plug must be used.
1847783	MCDV 1,5/ 7-G1-3,81	Header, Nominal current: 8 A, Rated voltage (III/2): 160 V, Number of positions: 7, Pitch: 3.81 mm, Color: green, Metal surface: Sn, Assembly: Soldering, In combination with MCV plug components, both an MCVW and an MCVR plug must be used.
1861772	MCO 1,5/ 7-GL-3,81	Header, Nominal current: 8 A, Rated voltage (III/2): 160 V, Number of positions: 7, Pitch: 3.81 mm, Color: green, Metal surface: Sn, Assembly: Soldering
1861691	MCO 1,5/ 7-GR-3,81	Header, Nominal current: 8 A, Rated voltage (III/2): 160 V, Number of positions: 7, Pitch: 3.81 mm, Color: green, Metal surface: Sn, Assembly: Soldering
1803471	MCV 1,5/ 7-G-3,81	Header, Nominal current: 8 A, Rated voltage (III/2): 160 V, Number of positions: 7, Pitch: 3.81 mm, Color: green, Metal surface: Sn, Assembly: Soldering

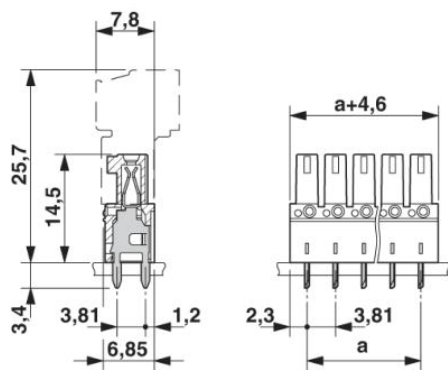
1837489	MCVDU 1,5/ 7-G-3,81	Header, Nominal current: 8 A, Rated voltage (III/2): 160 V, Number of positions: 7, Pitch: 3.81 mm, Color: green, Metal surface: Sn, Assembly: Soldering
1832785	MCVK 1,5/ 7-G-3,81	Plug component, Nominal current: 8 A, Rated voltage (III/2): 160 V, Number of positions: 7, Pitch: 3.81 mm, Color: green, Metal surface: Sn, Assembly: DIN rail
1827321	SMC 1,5/ 7-G-3,81	Header, Nominal current: 8 A, Rated voltage (III/2): 160 V, Number of positions: 7, Pitch: 3.81 mm, Color: green, Metal surface: Sn, Assembly: Soldering

Diagrams/Drawings

Drilling plan/solder pad geometry



Dimensioned drawing



Address

PHOENIX CONTACT Inc., USA
586 Fulling Mill Road
Middletown, PA 17057, USA
Phone (800) 888-7388
Fax (717) 944-1625
<http://www.phoenixcon.com>



© 2011 Phoenix Contact
Technical modifications reserved;