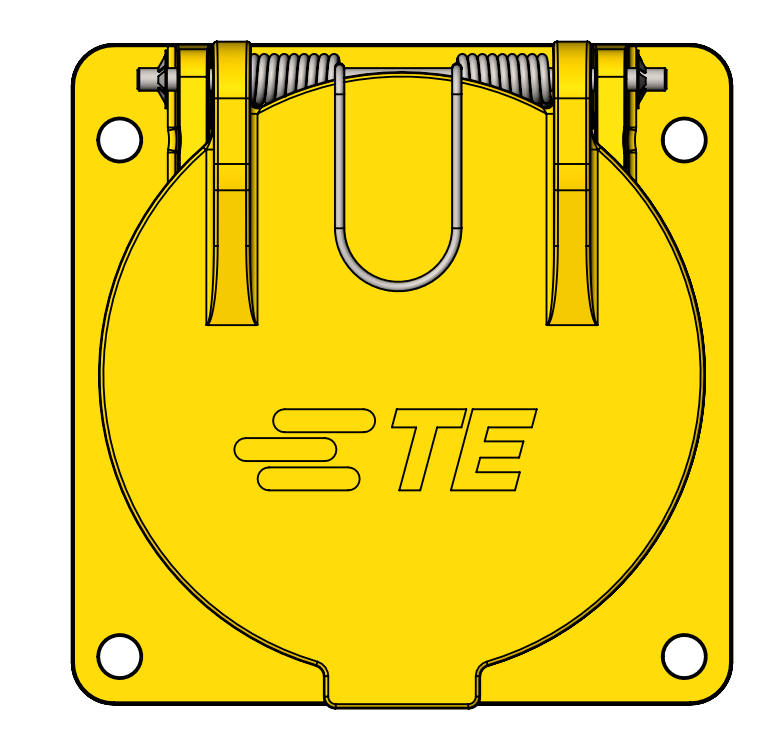
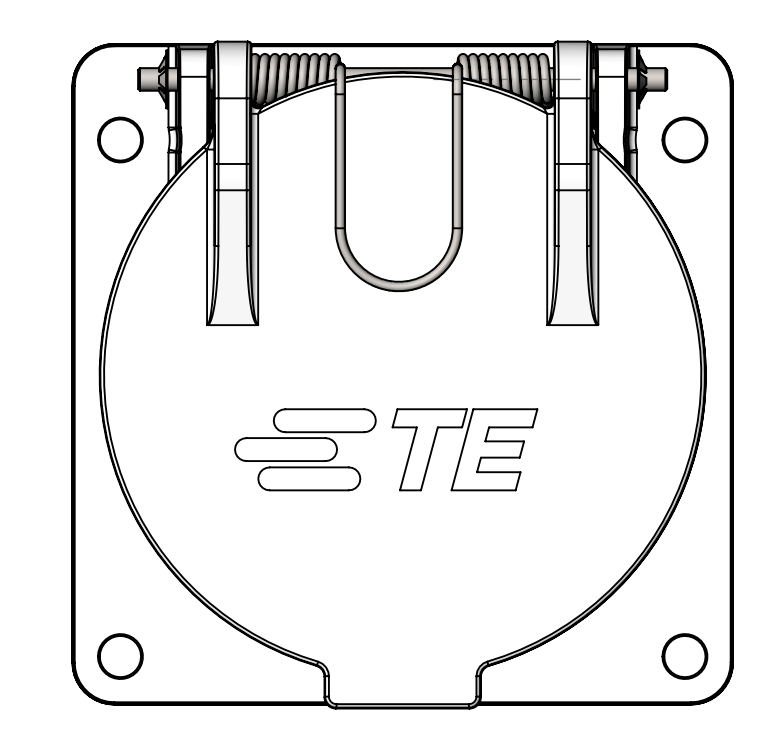


Project NR		REVISIONS			
P	DATE	DESCRIPTION	DATE	BY	APPV
C	27.JUL.2015	Diffusion N°331170		MB	MV
D	28.FEB.10	11 - Add note 9	28.FEB.10	MB	MV
E	28.FEB.10	10 - update product spec & application spec - Diffusion 331170	28.FEB.10	EL	MV

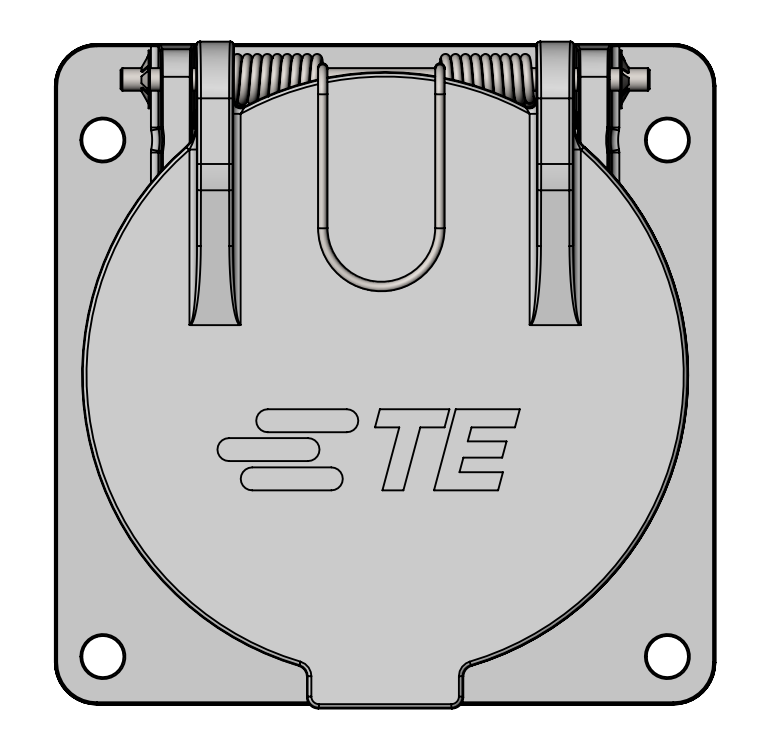
Référence commerciale / Commercial reference
27P-DUM-Y (color yellow)



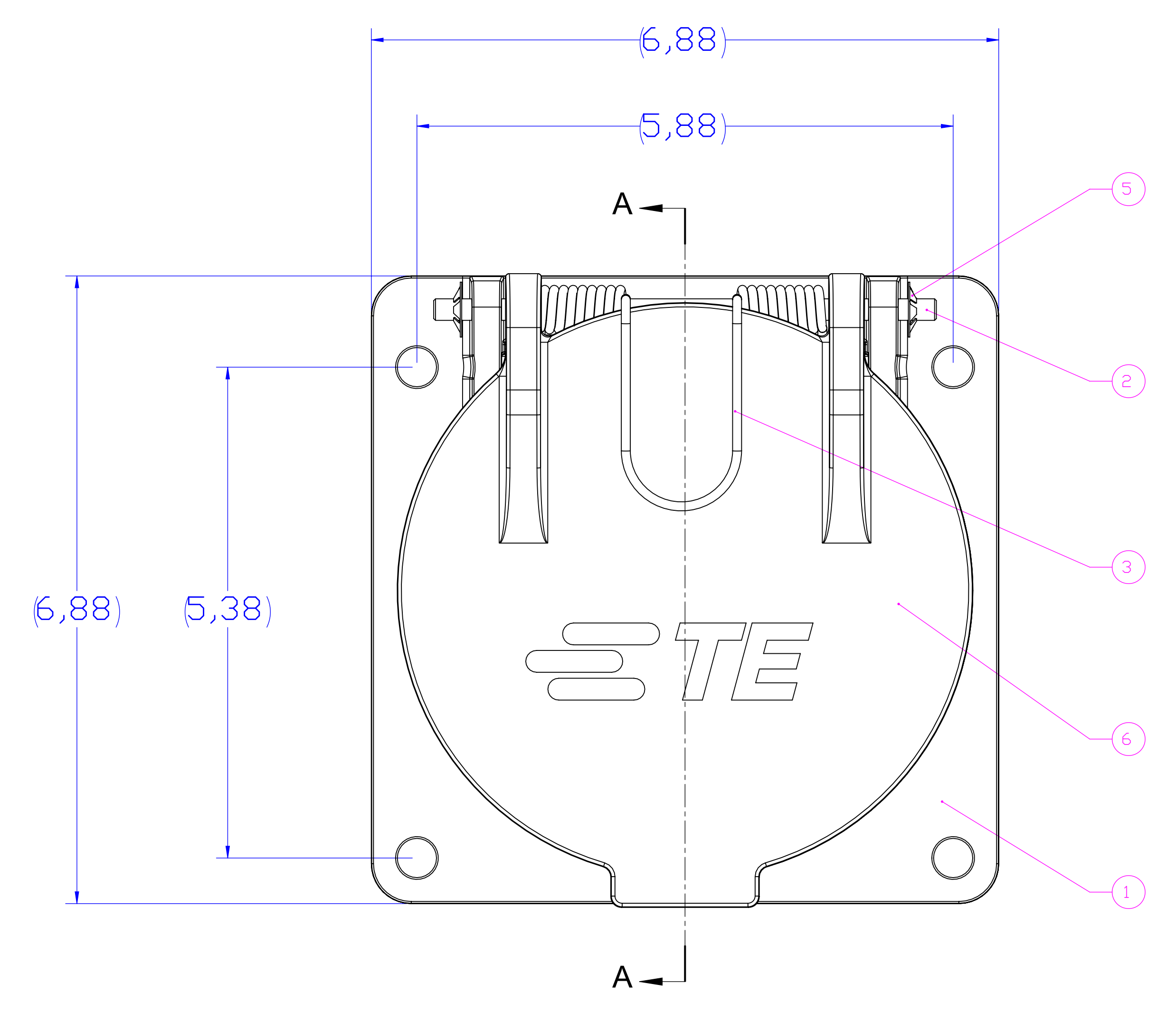
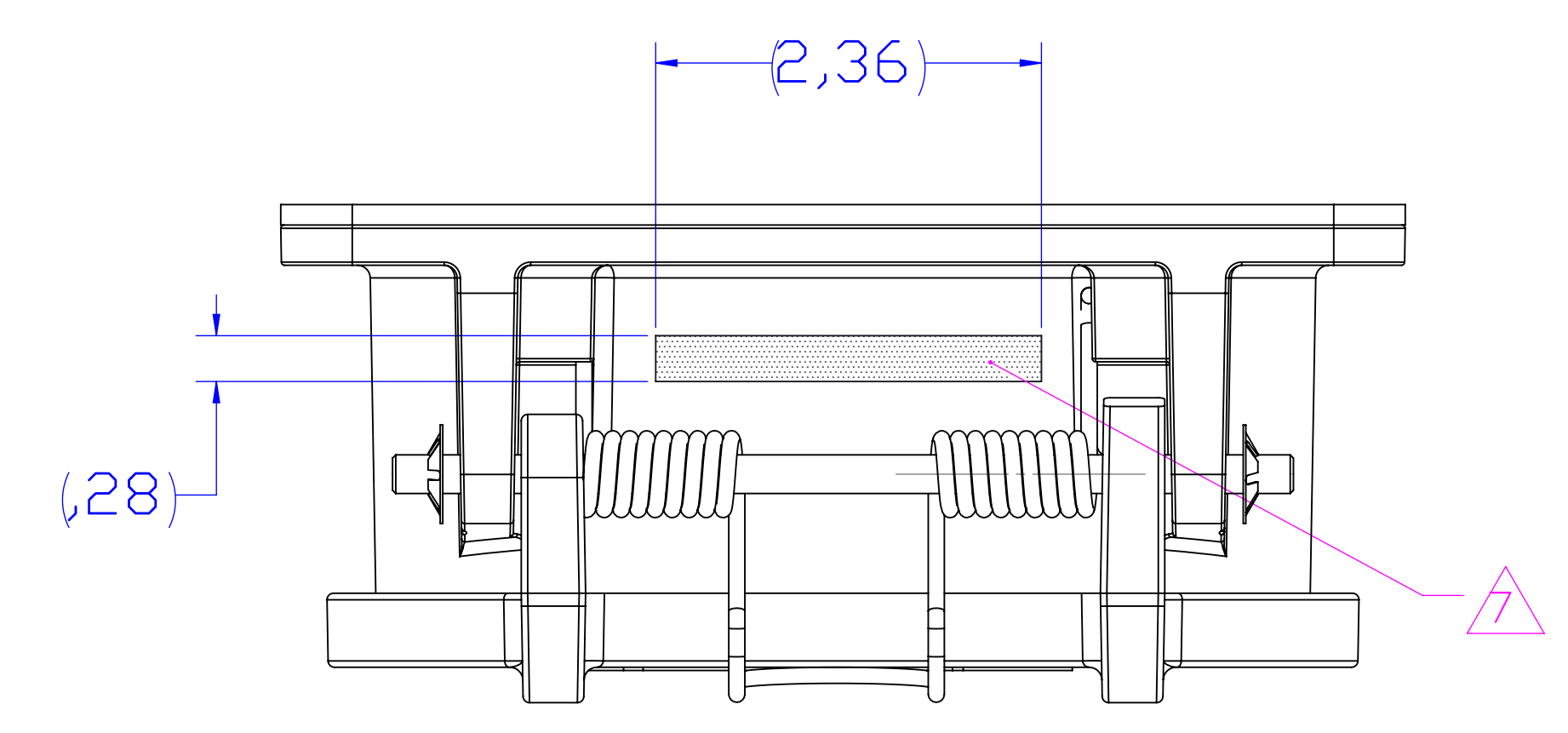
Référence commerciale / Commercial reference
27P-DUM-W (color white)



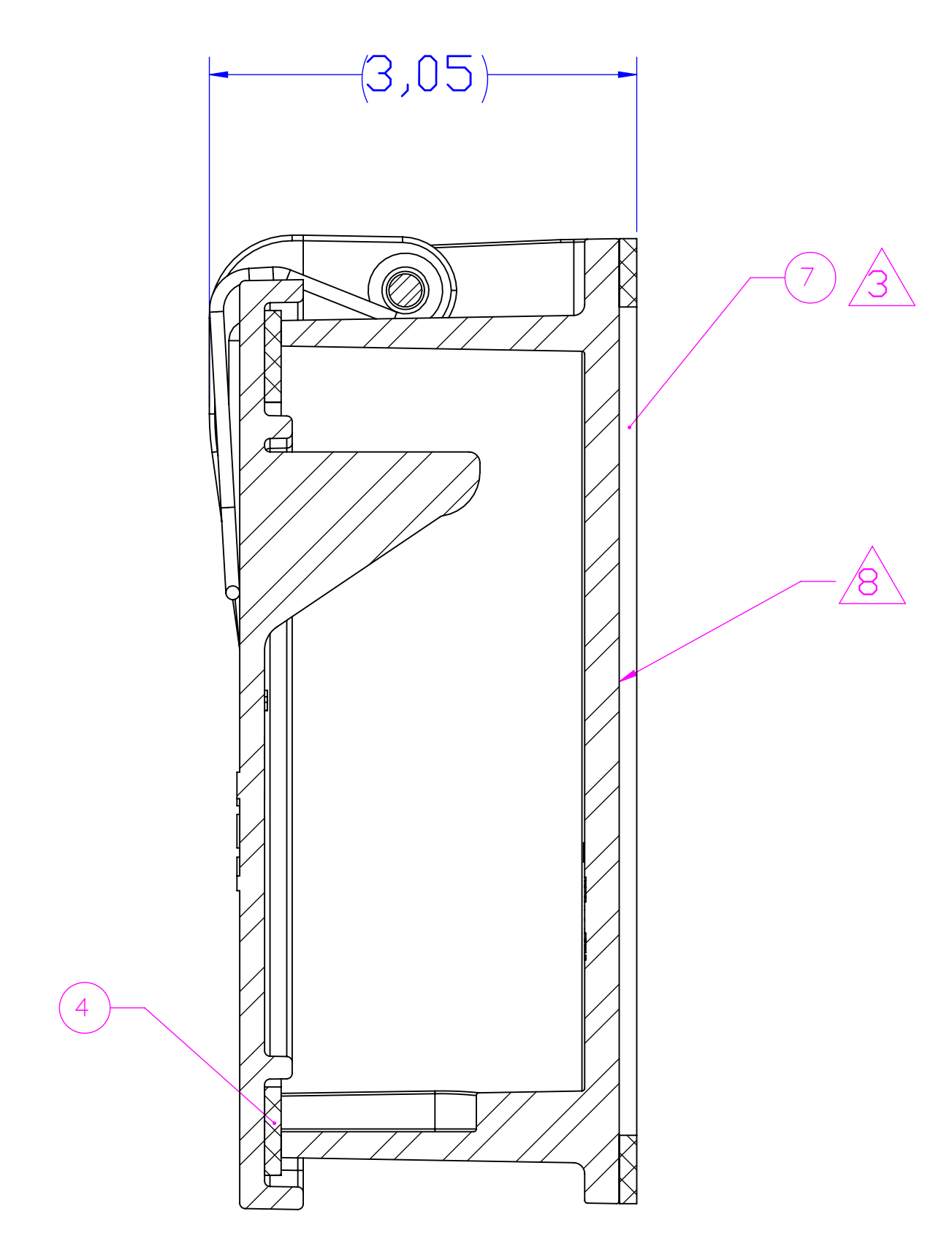
Référence commerciale / Commercial reference
27P-DUM-0-01 (without color)



- 1 () : cotes pour information / dimensions for information
- () : cotes de controle / inspection dimensions
- 2 () Instructions de mise en oeuvre à appliquer par le client
Customer instructions to be applied by the customer
- ⚠ Receptacle gasket is sold tied on the receptacle
- ⚠ Yellow paint
- ⚠ White paint
- 6 Work instruction according to 118-157000-3
- ⚠ Laser marking :
TE + Commercial reference + Year-Week
- ⚠ Dummy receptacle completely enclosed
- ⚠ A label with the commercial reference and the complete BOM is glued on the cardboard
- 10 Standards :
AAR 5-51E, APTA RP-E-019-99
- 11 Packaging Specification 107-157003



A-A VIEW



Référence BE Engineering reference		Commercial reference		Material		Weight (g)	Qty	Part number	Designation	Item			
VE-UC-211944A-0000	VE-UC-211944B-0000	27P-DUM-0-01	27P-DUM-W	27P-DUM-Y									
X	X	X			Paper	5,00	1	YSPEC-408-157000-3	Mounting instruction	11			
X	X	X				1,50	1	0206-0329AS	Dehydrating bag	10			
X	X	X			Plastic	0,50	2	0158-0001-X	Collar	9			
X	X	X			Carton	60,00	1	0206-0155AS	Box	8			
X	X	X			FMEL 31015	52,30	1	YA-UC-211297A-VN00	Gasket	7			
		X			FMME 4010 Cr3 conversion	376,80	1	YG-UC-211287A-JG08	Cover	6			
		X			FMME 4010 Cr3 conversion	376,80	1	YG-UC-211287A-JG07	Cover	6			
X					FMME 4010 Cr3 conversion	376,80	1	YG-UC-211287A-JG8E	Cover	6			
X	X	X				0,17	2	Y0000000-7105-06-I	Self locking ring	5			
X	X	X			FMEL 31016	14,29	1	1504-0019A4	Gasket	4			
X	X	X			FMME 3034	3,56	1	1504-0005A4	Spring	3			
X	X	X			FMME 3017	3,95	1	1504-0018A4	Axis	2			
		X			FMME 4010 Cr3 conversion	965,15	1	YG-UC-211317A-JG08	Dummy receptacle	1			
		X			FMME 4010 Cr3 conversion	965,15	1	YG-UC-211317A-JG07	Dummy receptacle	1			
X					FMME 4010 Cr3 conversion	965,15	1	YG-UC-211317A-JG8E	Dummy receptacle	1			
					Remarks	Data sheet	Plating	Material	Weight (g)	Qty	Part number	Designation	Item

Référence commerciale / Commercial reference : see table

See table

PART NO

THIS DRAWING IS A CONTROLLED DOCUMENT.

APPROVED BY: R. BONNIN 27.JUL.2015

DESIGNED BY: J.F. GALIPAUD 27.JUL.2015

DRWING: R. VIMARD 27.JUL.2015

PRODUCT SPEC: 108-157001

APPLICATION SPEC: 408-157000-3

WEIGHT: 3122 lb

CUSTOMER DRAWING

SCALE: 1:1

SHEET: 1 OF 1

REV: E

RESTRICTED TO

STE TE Connectivity

Boîte de repos
Dummy receptacle

AC