

HDLSP-035-1000

HDLSP SERIES

(0.635 mm) .025"

HIGH-DENSITY/HIGH-SPEED CABLE SYSTEM

SPECIFICATIONS

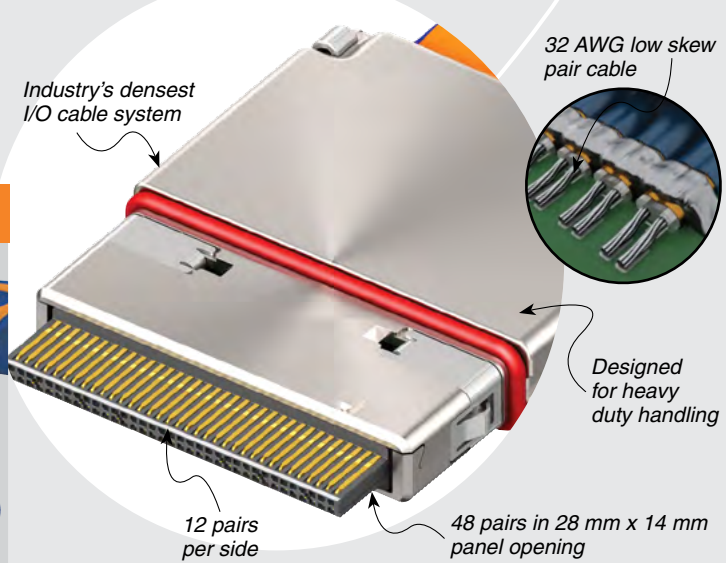
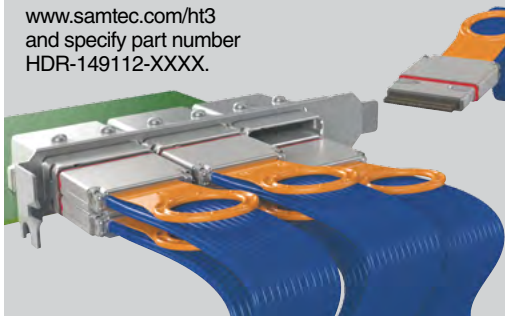
For complete specifications and recommended PCB layouts see www.samtec.com?HDLSP

- Cable:** 32 AWG low skew pair cable
- Insulator Material:** LCP
- Terminal Material:** Phosphor Bronze
- Jacket Material:** PVC
- Insulator:** Dielectric
- Conductors:** Copper
- Braid:** Tinned Copper
- Covers:** Diecast Zinc Alloy
- Current Rating:** 1.5 A per pin (4 adjacent pins powered)

Mates with:
HDI6

OTHER SOLUTIONS

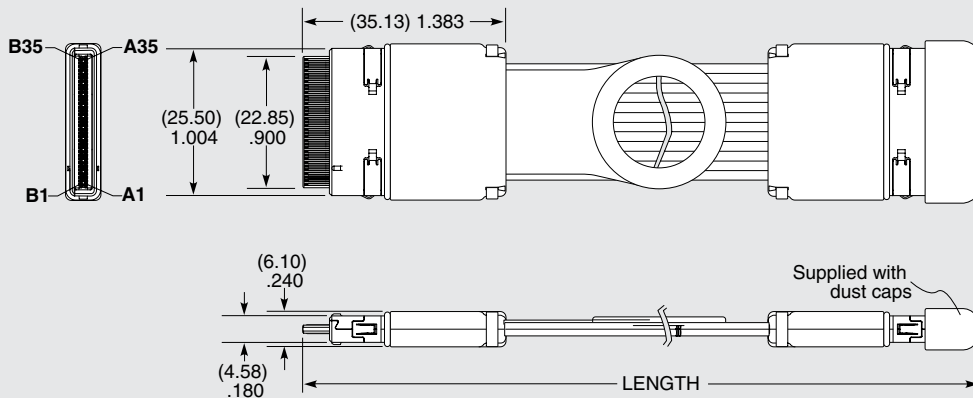
For HT3.1 see www.samtec.com/ht3 and specify part number HDR-149112-XXXX.



ALSO AVAILABLE (MOQ Required)

- Other lengths
- Contact Samtec.

TYPE	NO. OF POSITIONS	LENGTH
HDLSP = High-density Low Skew Pair Cable	-035 (Per Row) = 12 Pairs per side	-“XXXX” = Length in millimeters -1000, -2000 (Standard lengths)



Note: Some lengths, styles and options are non-standard, non-returnable.