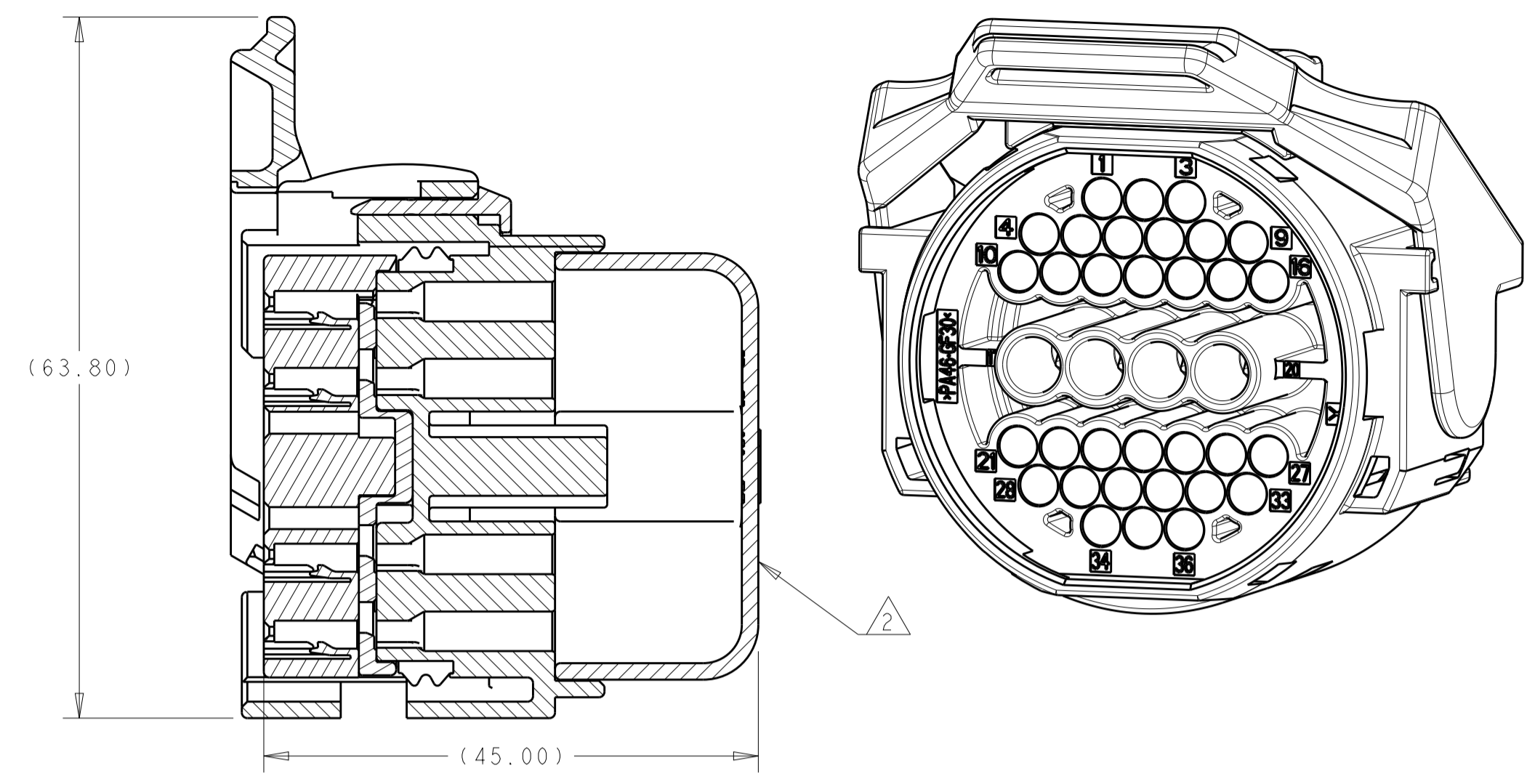
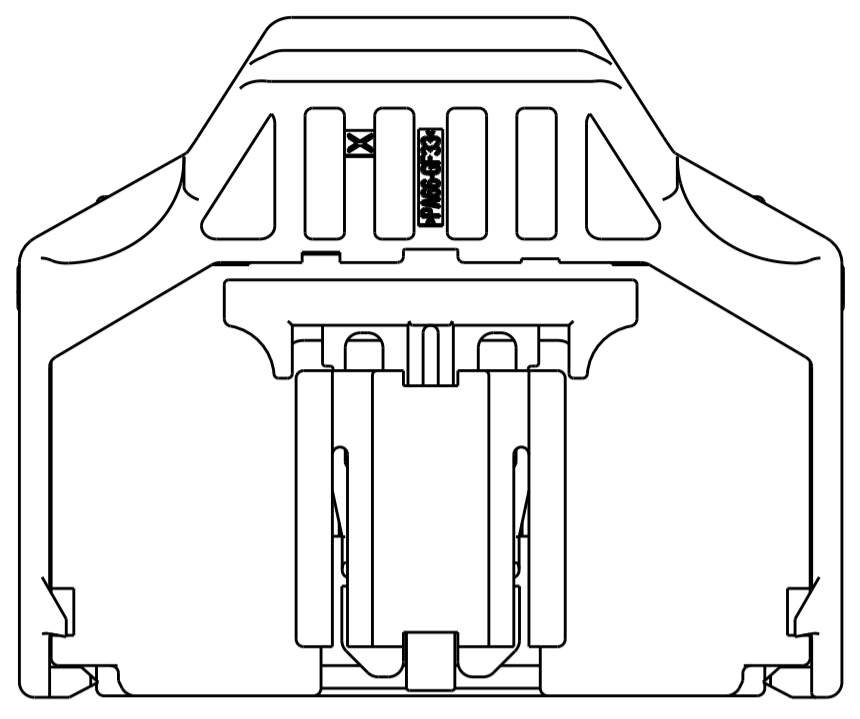


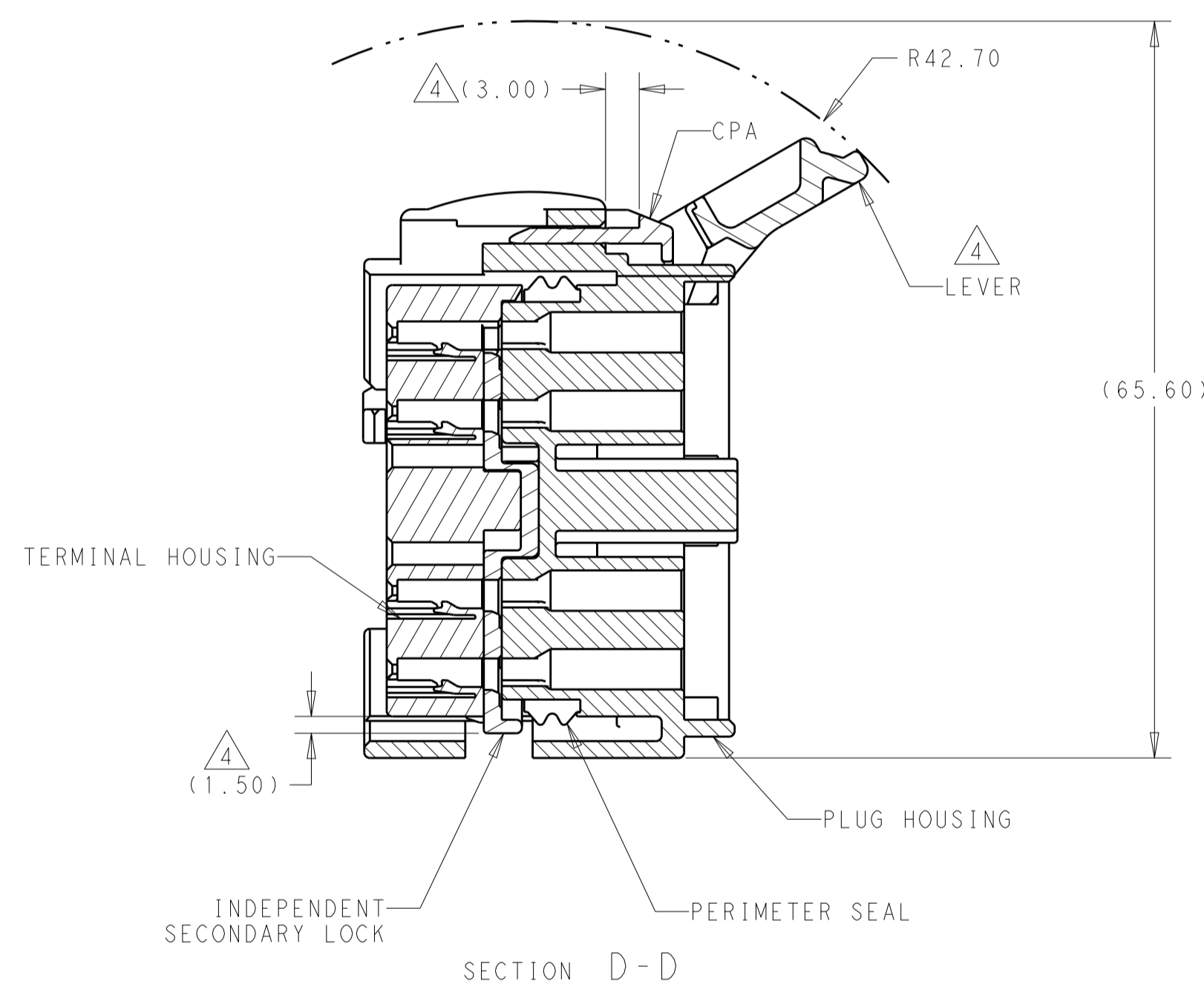
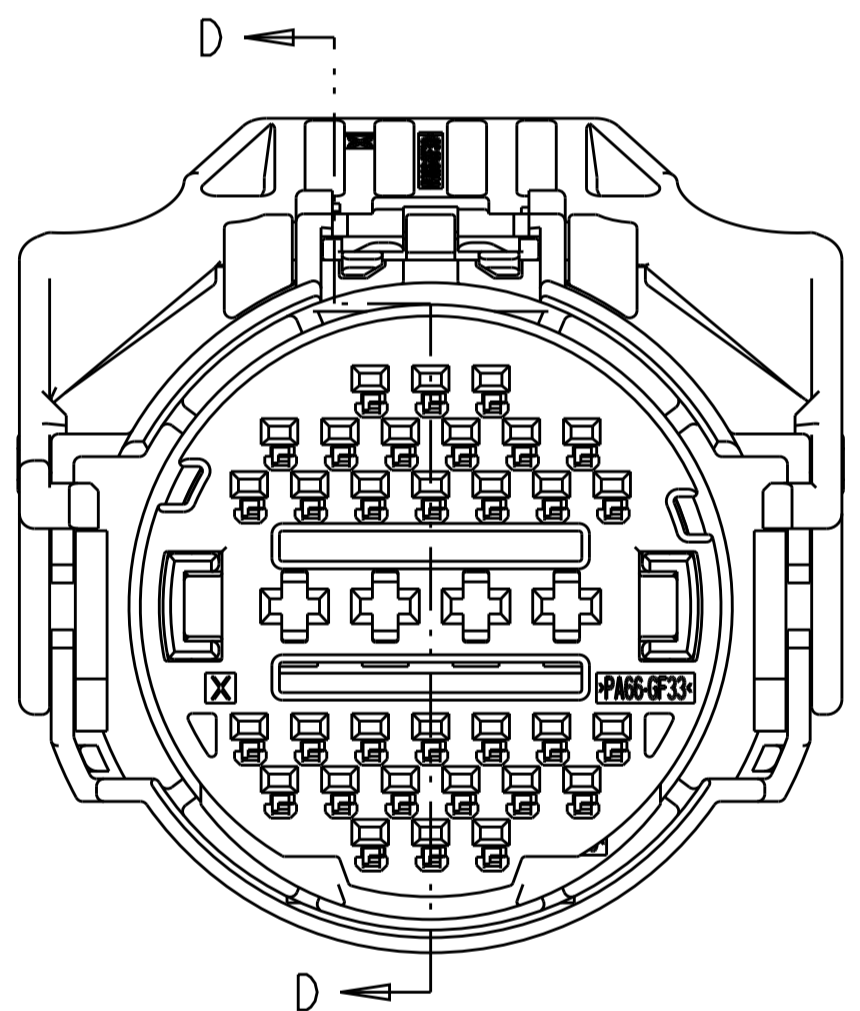
LOC		DIST		REVISIONS			
IN	00	P	LTN	DESCRIPTION	DATE	OWN	APVD
		1		FIRST DRAFT	10MAY2011	MBH	RH
		2		REV PER ECO-12-003474	23FEB2012	MBH	RH
		3		REV PER ECO-12-004619	08MAR2012	MBH	RH
		A		REV PER ECO-13-005117	28MAR2013	VP	RH



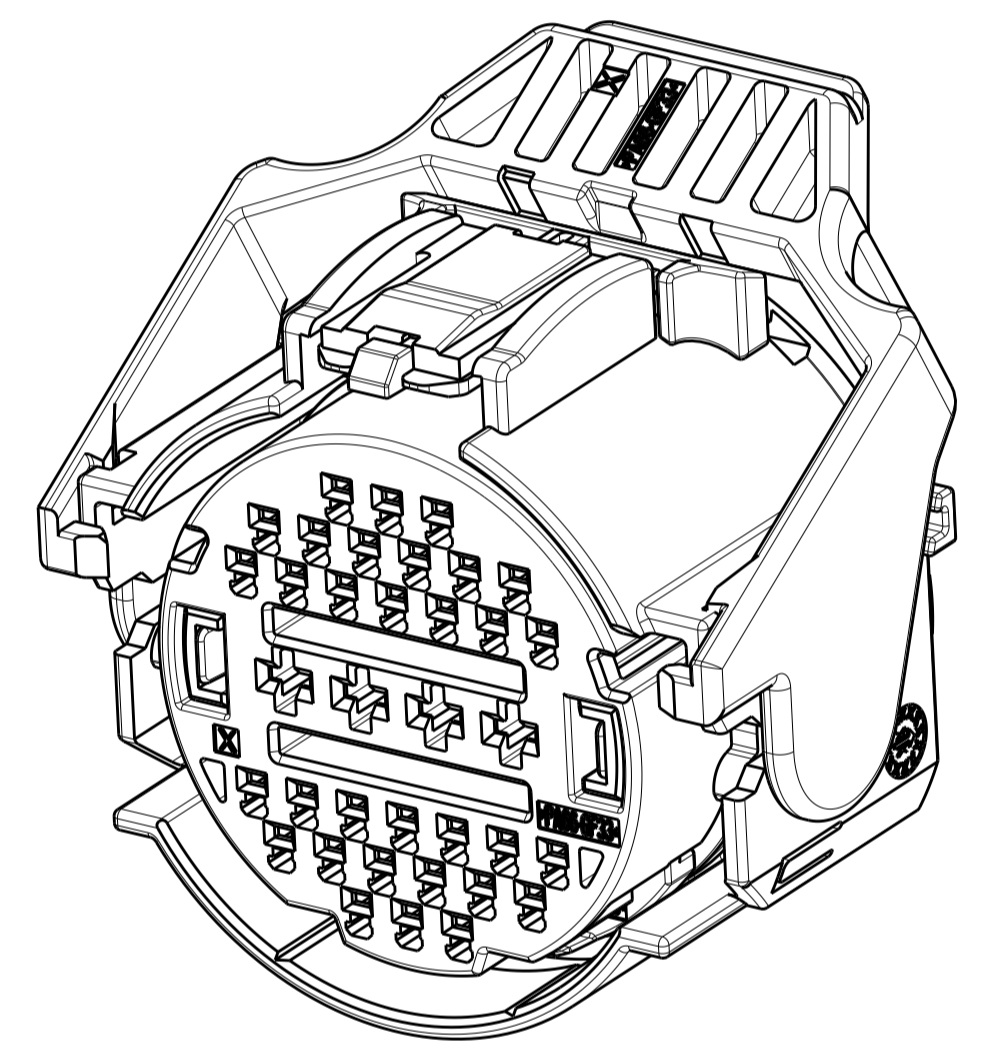
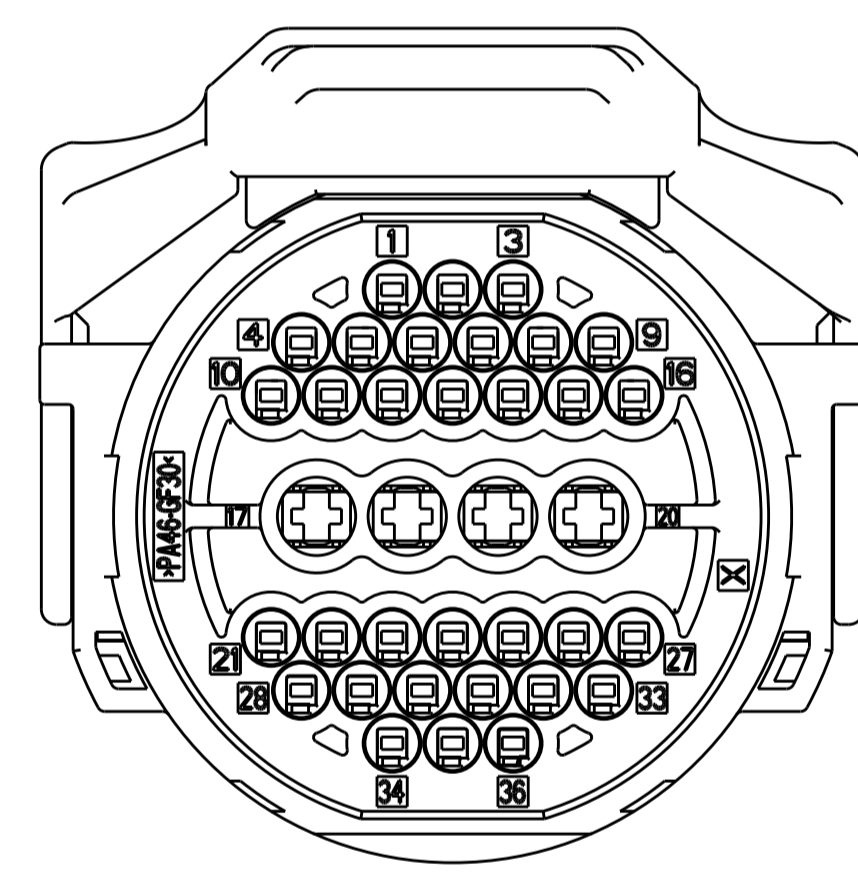
SECTION D-D
 LEVER, ISL, & CPA
 SHOWN IN ASSEMBLED POSITION

TE PART #	FINISH	WIRE SIZE	DESCRIPTION
1418844-1	Sn	0.25-0.35mm ²	MCON 1.2 RECEPTACLE
	Sn	22AWG	MCON 1.2 RECEPTACLE
1670146-1	Sn	0.50-0.75mm ²	MCON 1.2 RECEPTACLE
1418850-1	Sn	1.0-1.5mm ²	MCON 1.2 RECEPTACLE
1241392-1	Sn	0.20-0.35mm ²	MCP 2.8K RECEPTACLE
1241394-1	Sn	0.50-1.00mm ²	MCP 2.8K RECEPTACLE
1241396-1	Sn	1.00-2.50mm ²	MCP 2.8K RECEPTACLE

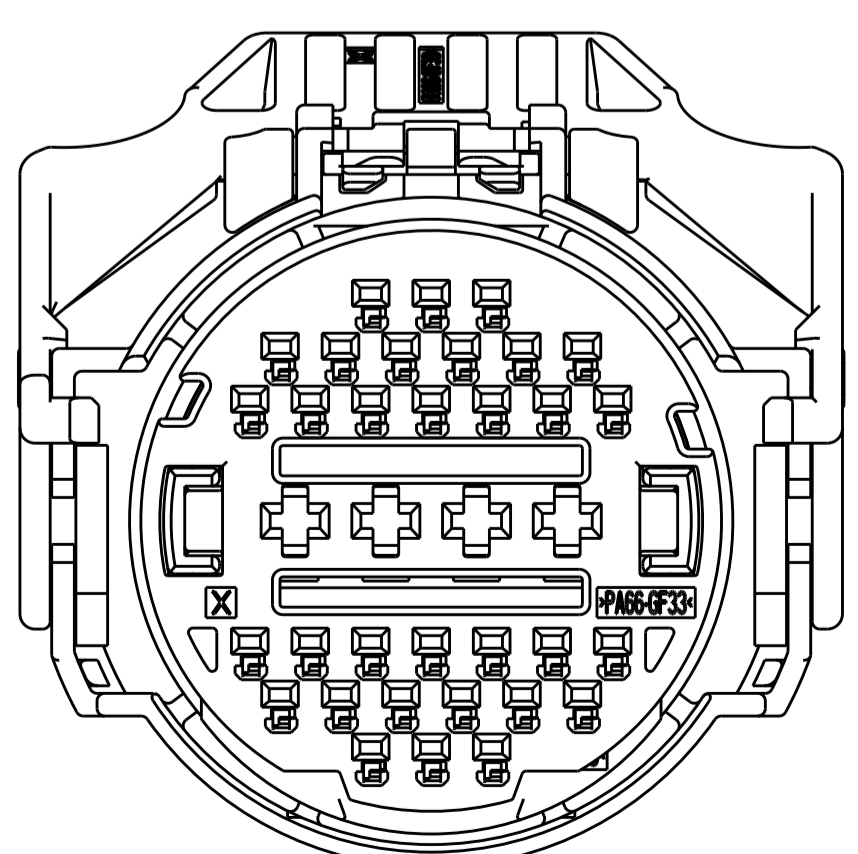
WIRE SEAL #	INSULATION RANGE	TERMINAL SYSTEM
967067-2	0.9-1.4	MCON 1.2
967067-1	1.4-2.1	
963294-1	1.2-2.0	MCP 2.8K
963293-1	2.0-2.7	
963292-1	2.7-3.0	



SECTION D-D

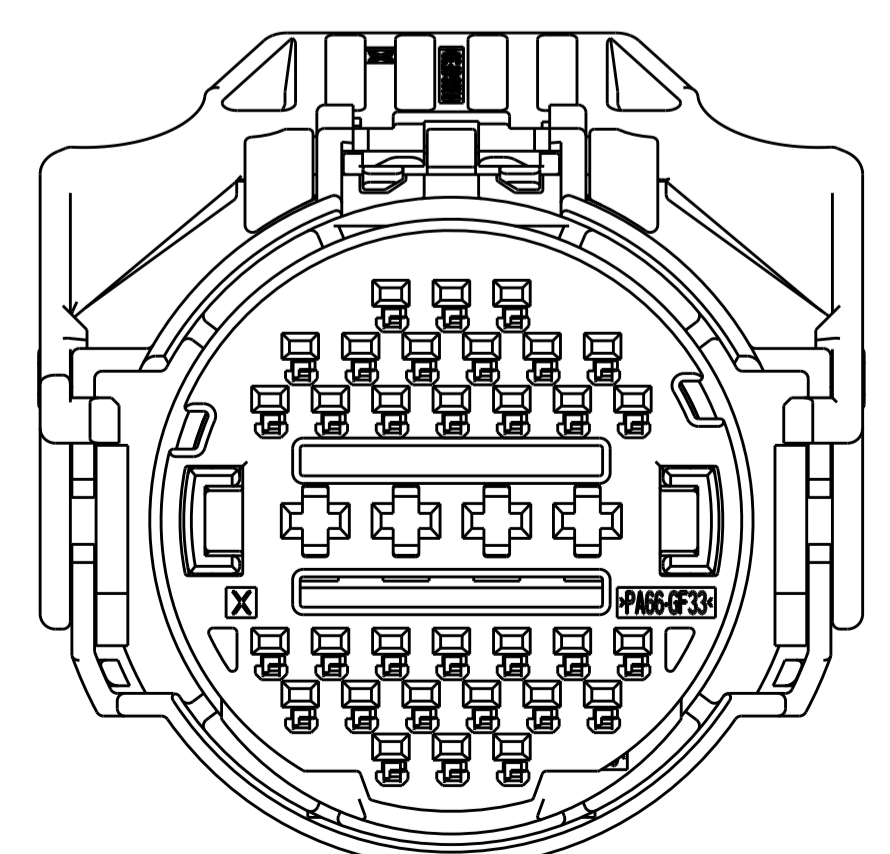


- MATERIAL:
 PLUG HOUSING: NYLON 46 30% GLASS FILLED, BLACK.
 TERMINAL HOUSING: NYLON 6/6, 33% GLASS FILLED, BLACK
 ISL: PBT 15% GLASS FILLED, RED
 LEVER: NYLON 6/6, 33% GLASS FILLED, NATURAL
 CPA: PBT 15% GLASS FILLED, RED
 PERIMETER SEAL: SILICONE
- WIRE DRESS, TE PART # 2138319-1, TO BE PURCHASED SEPARATELY.
- APPLICABLE TERMINALS: SEE TABLE
- LEVER, CPA, & ISL SHOWN IN SHIPPING POSITION, UNLESS OTHERWISE NOTED.
- 2138314-1 KEYING OPTION "A" SHOWN IN GENERAL VIEWS.
- THE CONNECTOR SHOWN MATES WITH THE FOLLOWING TE CAP CONNECTOR. CONSULT FACTORY FOR ADDITIONAL MATING CONNECTOR OPTIONS. 2138338-* (SEE SEPARATE DRAWING FOR APPROPRIATE DASH NUMBER)



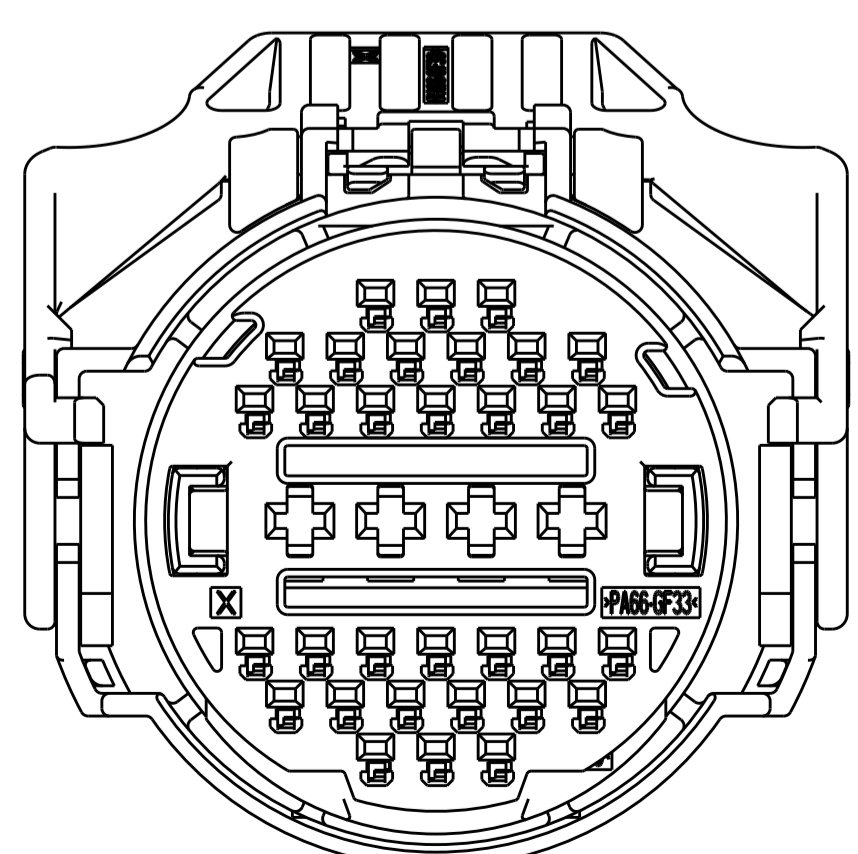
SCALE 2:1

KEYING OPTION "A"



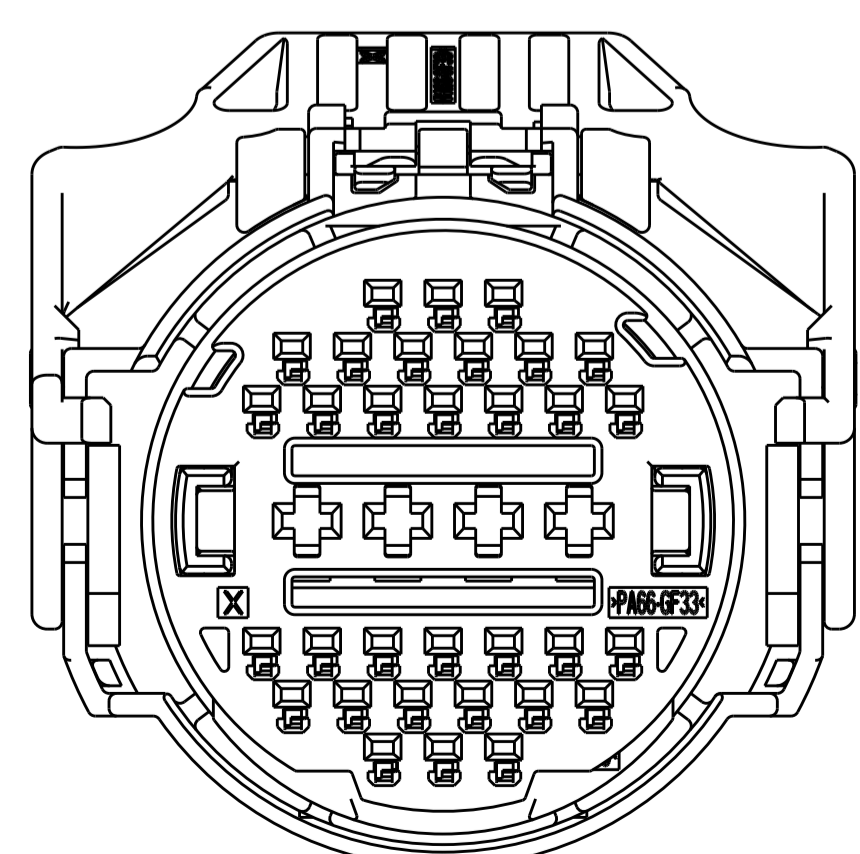
SCALE 2:1

KEYING OPTION "B"



SCALE 2:1

KEYING OPTION "C"



SCALE 2:1

KEYING OPTION "D"

KEY	NUMBER OF OPEN CIRCUITS	36	35	34	33	32	31	30	29	28	27	26	25	24	23	22	21	20	19	18	17	16	15	14	13	12	11	10	9	8	7	6	5	4	3	2	1	ASSEMBLY PART #
A	29	36	33															20	17	16	15															2138314-7		
A	32	36	33															20	17																	2138314-6		
A	27	36	33															20	17	16	15														2	2138314-5		
D	36																																			2138314-4		
C	36																																			2138314-3		
B	36																																			2138314-2		
A	36																																			2138314-1		

THIS DRAWING IS A CONTROLLED DOCUMENT.

DIMENSIONS: mm

TOLERANCES UNLESS OTHERWISE SPECIFIED:
 0 PLC ±0.0
 1 PLC ±0.3
 2 PLC ±0.1
 3 PLC ±0.05
 4 PLC ±0.0

ANGLES: ±0.5°

MATERIAL: - FINISH: -

OWN: HITCHCOCK 10MAY2011
 CHK: R. HETRICK 10MAY2011
 APVD: R. HETRICK 10MAY2011

PRODUCT SPEC: - APPLICATION SPEC: -

WEIGHT: -

Customer Drawing

NAME: 36P SEALED HYBRID (32X 1.2, 4X 2.8) PLUG ASSEMBLY

SIZE: A1 CAGE CODE: DRAWING NO: 100779 C=2138314

RESTRICTED TO: -

SCALE: 2:1 SHEET 1 OF 1 REV A