

4

3

2

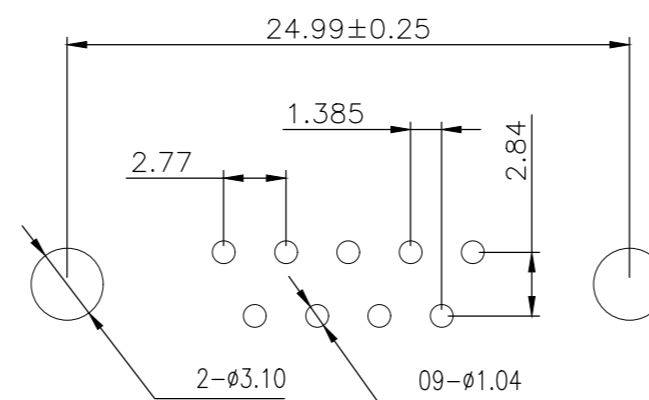
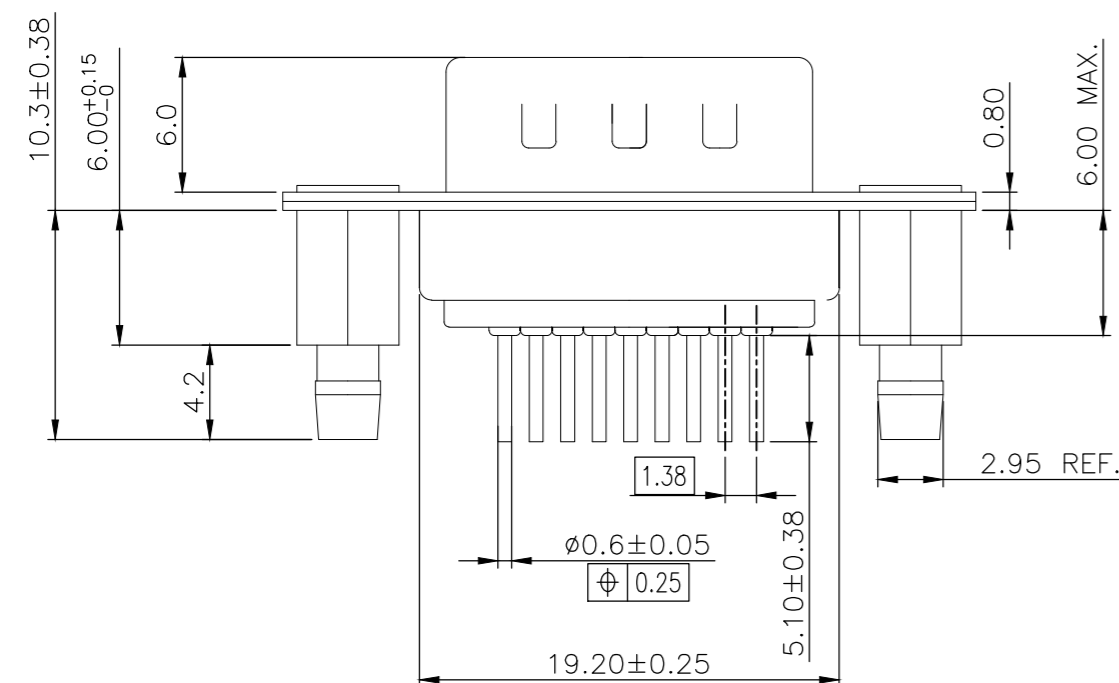
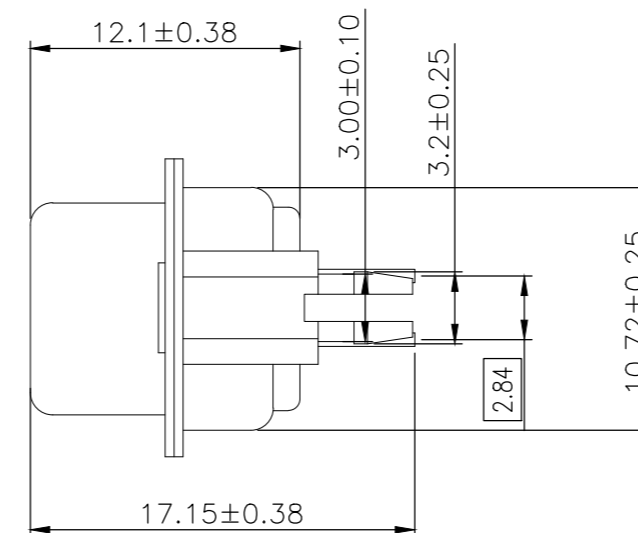
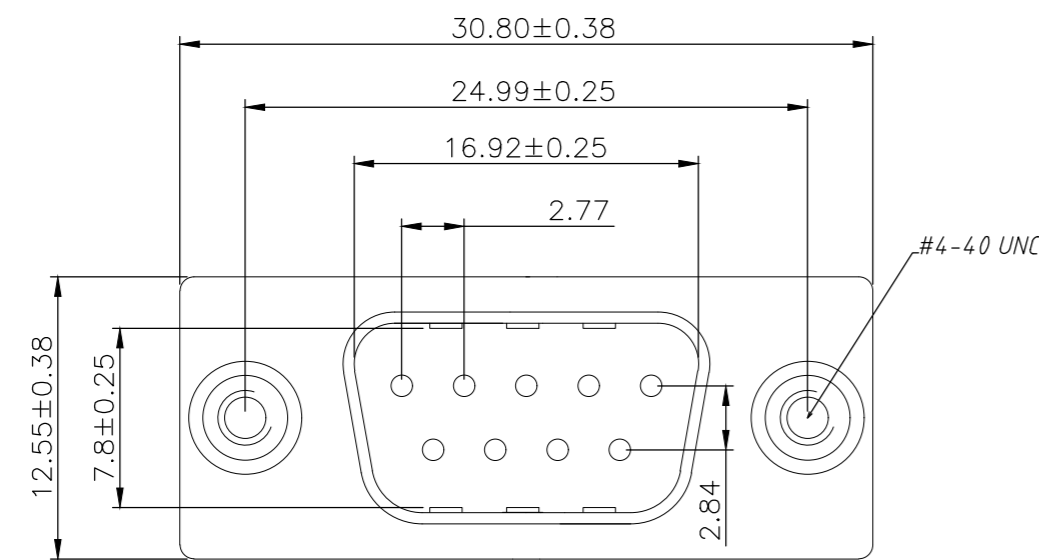
1

THIS DRAWING IS UNPUBLISHED. RELEASED FOR PUBLICATION. ALL RIGHTS RESERVED.

REVISIONS				
P	LTR	DESCRIPTION	DATE	APVD
D		REVISED PER ECO-18-001882	12FEB2018	AP DG

NOTE:

- MATERIAL:
HOUSING: PBT WITH 20% GF UL 94 V-0, BLACK COLOR
CONTACTS: BRASS.
SHELL: STEEL.
SCREW: BRASS.
SCREW LOCK: BRASS.
SCREW TORQUE: 5kgf-cm MAX.
- FINISH:
CONTACTS: GOLD PLATED ON CONTACT AREA, 0.375µm [15µ"] MIN. MATTE TIN ON SOLDER TAIL 2.54µm [100µ"], WITH ENTIRE CONTACT UNDERPLATED 1.27µm [50µ"] MIN. NICKEL.
FRONT SHELL: 2.54µm [100µ"] MIN. NICKEL PLATE.
REAR SHELL: 1.27µm [50µ"] MIN NICKEL UNDERPLATE 2.54µm [100µ"] MIN BRIGHT TIN PLATE
SCREW LOCK: 1.27µm [50µ"] MIN. NICKEL PLATED.
BOARDLOCK: 1.27µm [50µ"] MIN NICKEL UNDERPLATE 1.27µm [50µ"] MIN MATTE TIN PLATE
- WAVE SOLDER CAPABLE TO 265°C PER TE TEST SPEC. 109-202, CONDITION B.



RECOMMENDED PCB LAYOUT

2301826

9w D plg W B/L & 4-40 inserts 15u" gold	2301826-1
DESCRIPTION	TE PART NO

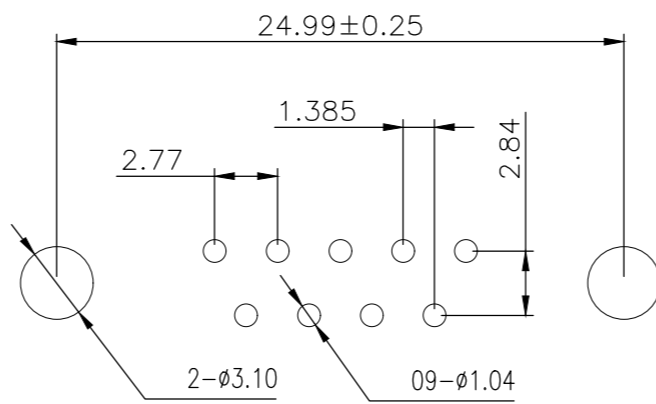
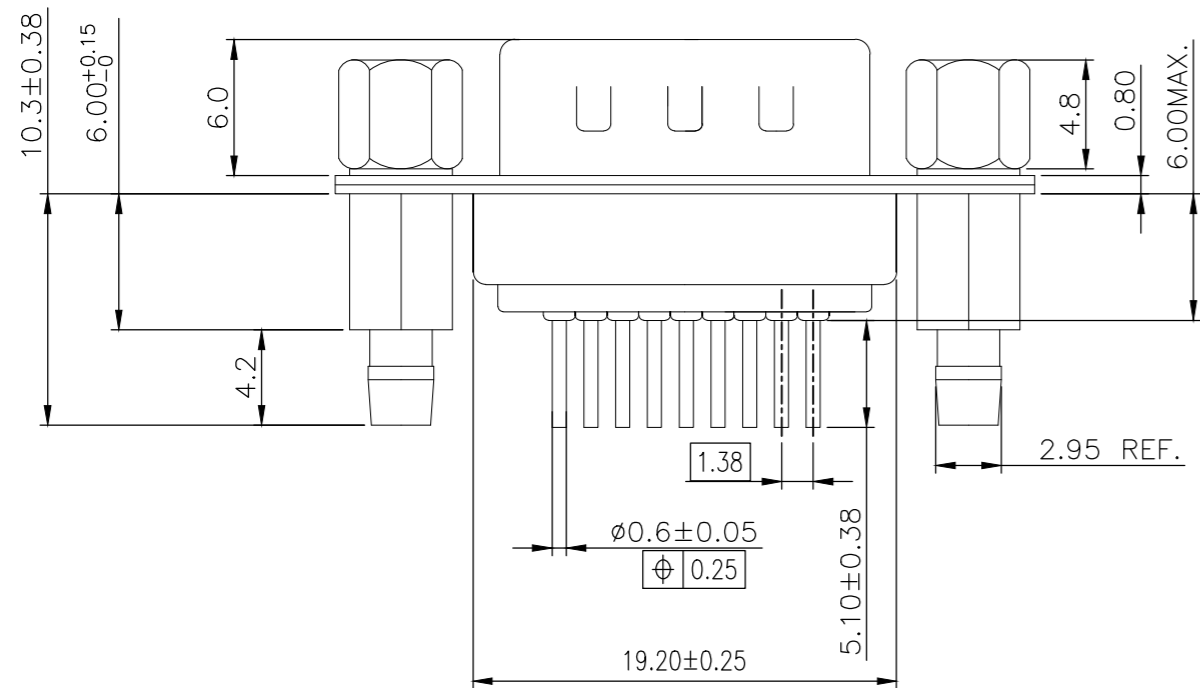
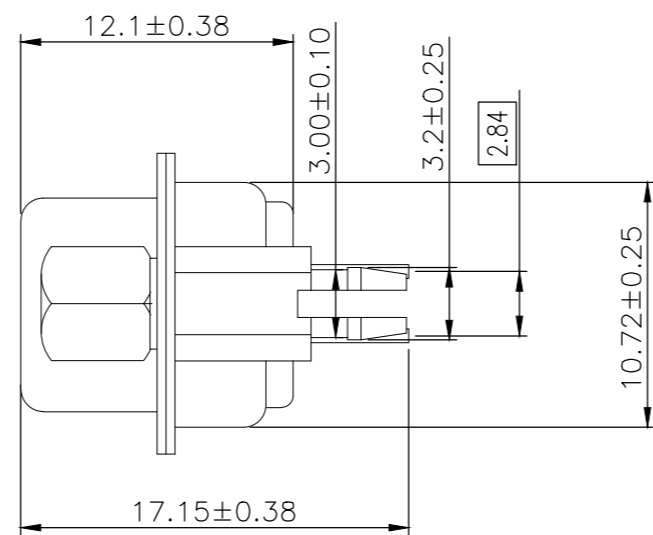
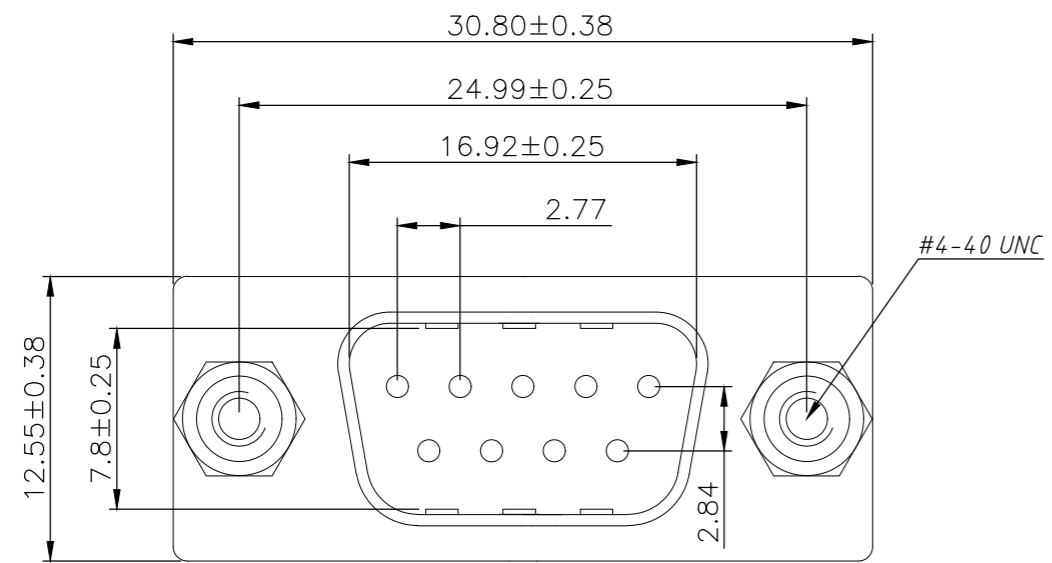


THIS DRAWING IS A CONTROLLED DOCUMENT.		DWN AJITH PAI 06FEB2017																		
DIMENSIONS: mm		CHK DAN GORENC 06FEB2017																		
TOLERANCES UNLESS OTHERWISE SPECIFIED:		APVD 06FEB2017																		
<table border="1"> <tr><td>0 PLC</td><td>±</td><td>-</td></tr> <tr><td>1 PLC</td><td>±</td><td>0.25</td></tr> <tr><td>2 PLC</td><td>±</td><td>0.15</td></tr> <tr><td>3 PLC</td><td>±</td><td>-</td></tr> <tr><td>4 PLC</td><td>±</td><td>-</td></tr> <tr><td>ANGLES</td><td>±</td><td>2'</td></tr> </table>	0 PLC	±	-	1 PLC	±	0.25	2 PLC	±	0.15	3 PLC	±	-	4 PLC	±	-	ANGLES	±	2'	PRODUCT SPEC 108-130013	NAME
	0 PLC	±	-																	
	1 PLC	±	0.25																	
	2 PLC	±	0.15																	
3 PLC	±	-																		
4 PLC	±	-																		
ANGLES	±	2'																		
MATERIAL	FINISH	APVD																		
		WEIGHT 0																		
CUSTOMER DRAWING		SCALE 3:1																		

D-SUB VERTICAL 9P PLUG CONNECTOR			RESTRICTED TO
SIZE A2	CAGE CODE 00779	DRAWING NO C=2301826	REV D
SHEET 1 of 4		SHEET 1 of 4	

THIS DRAWING IS UNPUBLISHED. RELEASED FOR PUBLICATION
 © COPYRIGHT - By - ALL RIGHTS RESERVED.

REVISIONS					
P	LTR	DESCRIPTION	DATE	DWN	APVD
-	-	SEE SHEET 1	-	-	-



RECOMMENDED PCB LAYOUT

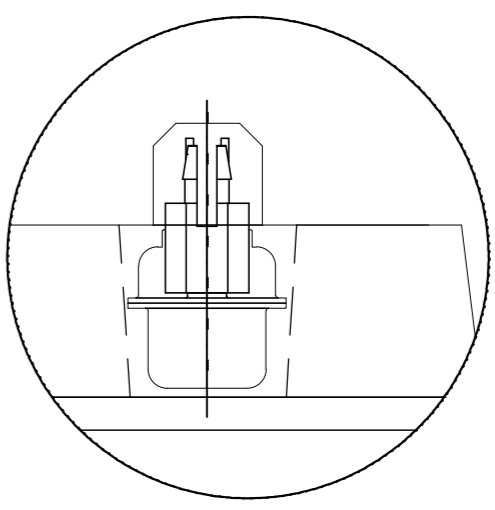
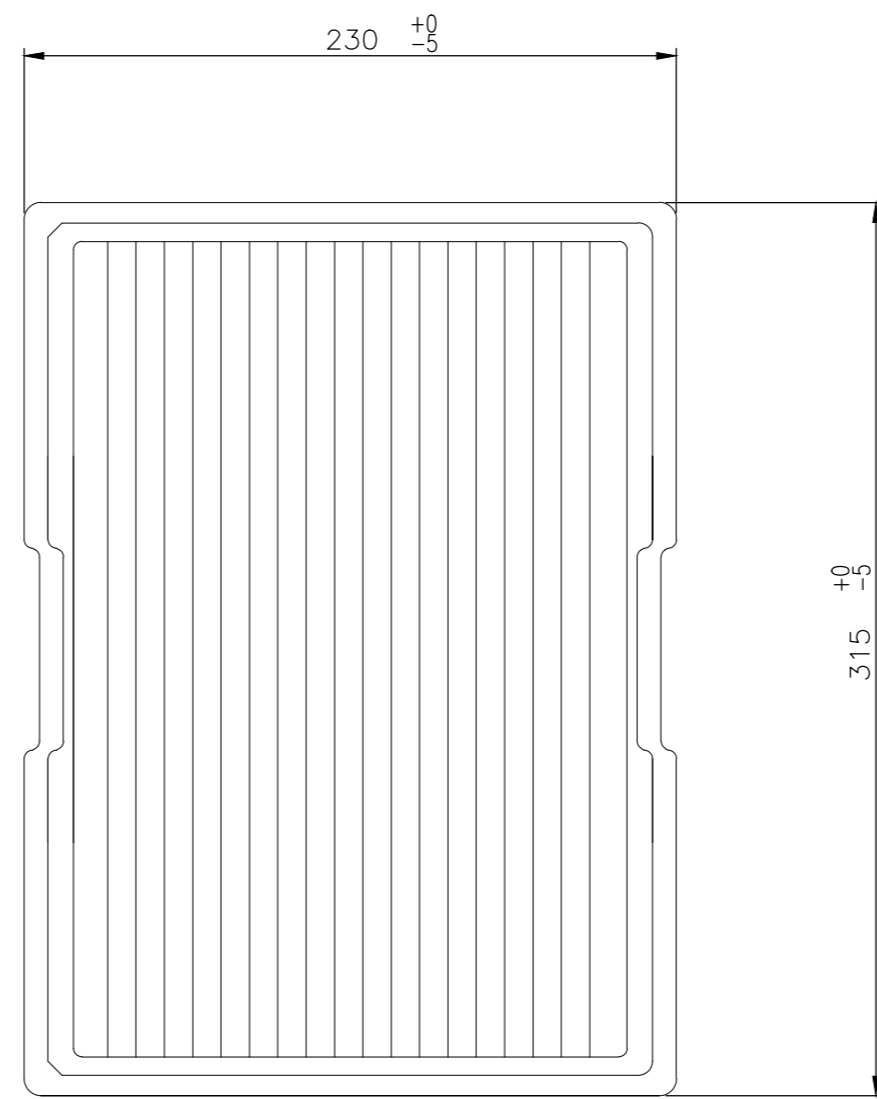
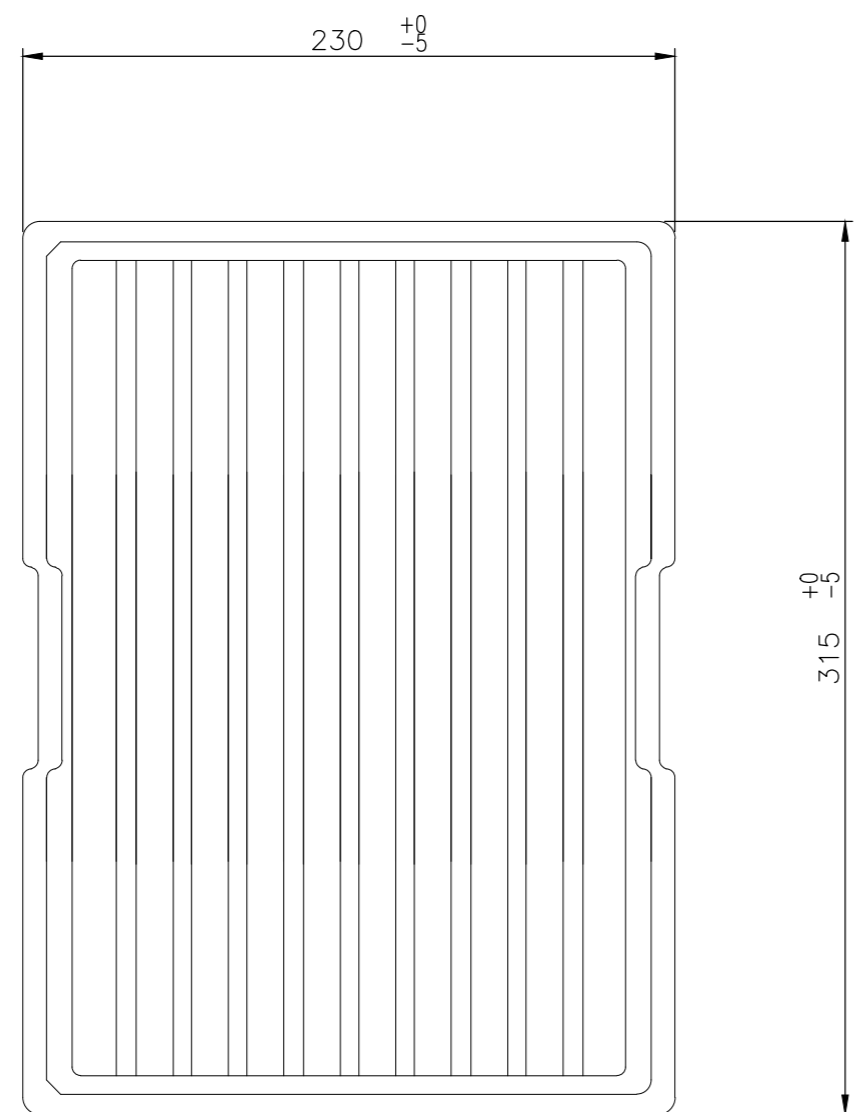
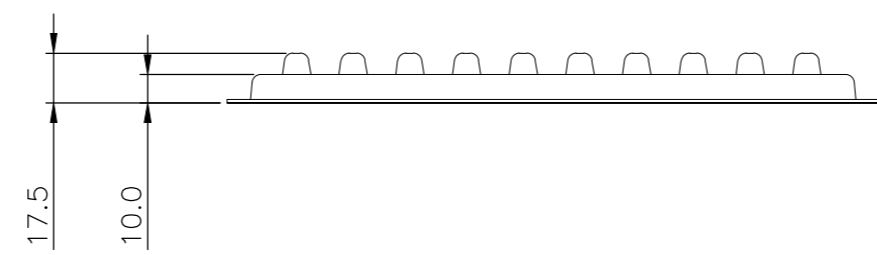
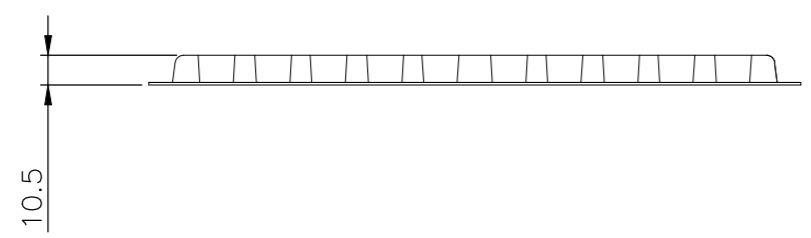
2301826

THIS DRAWING IS A CONTROLLED DOCUMENT.		DWN	AJITH PAI	06FEB2017
DIMENSIONS: mm		CHK	DAN GORENC	06FEB2017
TOLERANCES UNLESS OTHERWISE SPECIFIED:		APVD	-	06FEB2017
0 PLC ± -		PRODUCT SPEC	108-130013	
1 PLC ± 0.25		APPLICATION SPEC	-	
2 PLC ± 0.15		WEIGHT	0	
3 PLC ± -		CUSTOMER DRAWING	-	
4 PLC ± -		SCALE	3:1	
ANGLES ± 2°		SHEET	2 of 4	
MATERIAL -		REV	D	
FINISH -				

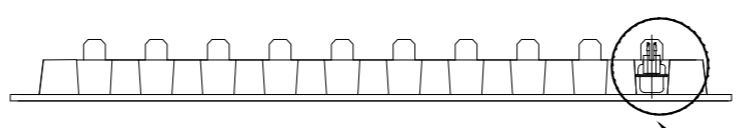
9w D plg W B/L & 4-40 s/lock 15u" gold		2301826-2	
DESCRIPTION		TE PART NO	
TE TE Connectivity			
D-SUB VERTICAL 9P PLUG CONNECTOR			
SIZE	CAGE CODE	DRAWING NO	RESTRICTED TO
A2	00779	C=2301826	-

THIS DRAWING IS UNPUBLISHED. RELEASED FOR PUBLICATION
 © COPYRIGHT - By - ALL RIGHTS RESERVED.

REVISIONS					
P	LTR	DESCRIPTION	DATE	DWN	APVD
-	-	SEE SHEET 1	-	-	-



DETAIL A

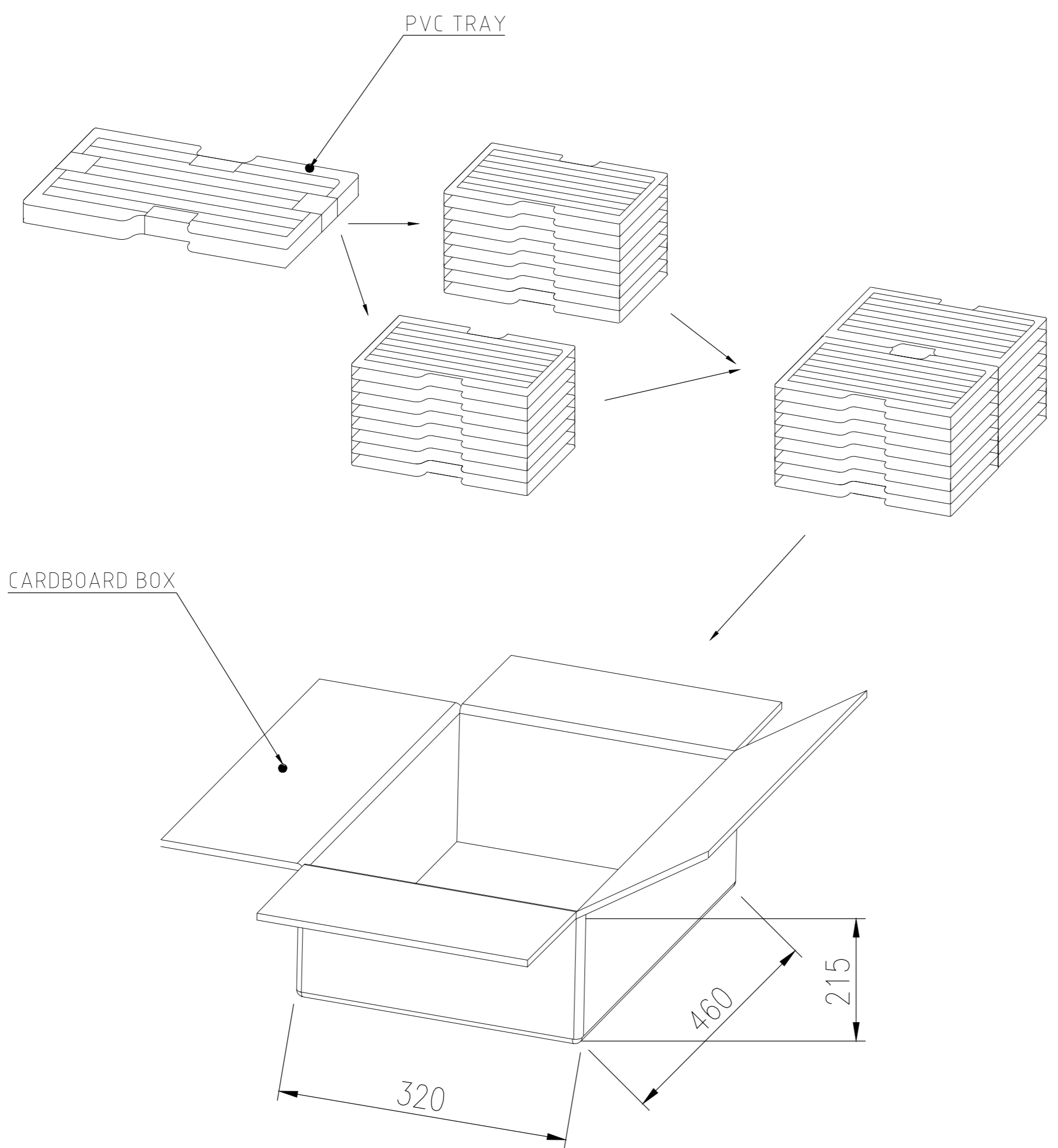


SEE DETAIL A

THIS DRAWING IS A CONTROLLED DOCUMENT.		DWN AJITH PAI 06FEB2017		
DIMENSIONS: mm		CHK DAN GORENC 06FEB2017		
TOLERANCES UNLESS OTHERWISE SPECIFIED:		APVD - 06FEB2017	NAME D-SUB VERTICAL 9P PLUG CONNECTOR	
0 PLC ± - 1 PLC ± 0.25 2 PLC ± 0.15 3 PLC ± - 4 PLC ± - ANGLES ± -		PRODUCT SPEC 108-130013	SIZE A2	CAGE CODE 00779
MATERIAL -		FINISH -	DRAWING NO C=2301826	RESTRICTED TO -
CUSTOMER DRAWING		WEIGHT 0	SCALE 3:1	SHEET 3 of 4
		REV D		

THIS DRAWING IS UNPUBLISHED. RELEASED FOR PUBLICATION
 © COPYRIGHT - By - ALL RIGHTS RESERVED.

REVISIONS					
P	LTR	DESCRIPTION	DATE	DWN	APVD
-	-	SEE SHEET 1	-	-	-



15.989	13.410	90	20	1800	2301826-2
13.325	10.746	90	20	1800	2301826-1
GROSS WEIGHT (kg)	NET WEIGHT (kg)	PCS/TRAY	TRAYS /CARTON	QUANTITY /PCS	PART NUMBER

THIS DRAWING IS A CONTROLLED DOCUMENT.		DWN AJITH PAI 06FEB2017			
DIMENSIONS: mm		CHK DAN GORENC 06FEB2017			
TOLERANCES UNLESS OTHERWISE SPECIFIED:		APVD - 06FEB2017	NAME D-SUB VERTICAL 9P PLUG CONNECTOR		
0 PLC ± -		PRODUCT SPEC 108-130013	SIZE A2	CAGE CODE 00779	DRAWING NO C=2301826
1 PLC ± 0.25		APPLICATION SPEC -	RESTRICTED TO -		
2 PLC ± 0.15		WEIGHT 0	SCALE 3:1	SHEET 4 of 4	REV D
3 PLC ± -		MATERIAL -	CUSTOMER DRAWING		
4 PLC ± -		FINISH -			
ANGLES ± -					