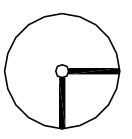


NOTES:

1. ALL DIMENSIONS IN MM [INCH]
2. GENERAL TOLERANCE: X.X=±0.4
X.XX=±0.25
3. TERM. NOS. FOR REFERENCE ONLY.
4. RATING: 4A @125VAC, 2A @250VAC
5. CONTACT RESISTANCE: 10mΩ-1-ΩHMS
6. DIELECTRIC STRENGTH: 1500 VAC-1Minute
7. INSULATION RESISTANCE: 500MΩ-ΩHMS
8. MATERIALS:
HOUSING: ZINC ALLOY DIE CAST
CYLINDER: ZINC ALLOY W/CHROME PLATING
TERMINAL AND CONTACTS: SILVER PLATED
NICKEL PLATED

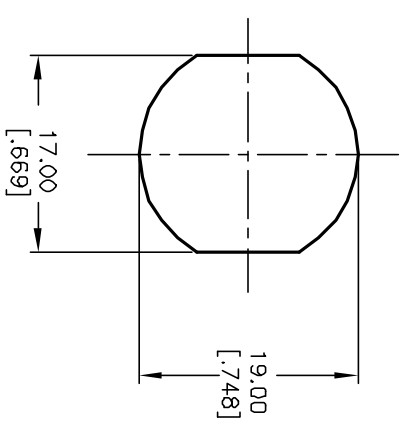
▲ KEYS (2) CODE 10001: TUBULAR STEEL, NICKEL PLATED



CIRCUIT: SPDT
CONTACT CONFIGURATION

SWITCH FUNCTION	CONNECTED TERM#
↕	POS 1 POS 2
↔	DN DN
↔	1-3 2-4

LEGEND
○ = OFF POSITION
■ = INDICATES KEY PULL



RECOMMENDED PANEL CUTOUT

REV.	ECN No.	DESCRIPTION	DATE	CHKD
A	11739	RELEASED FOR PRODUCTION	10/15/01	CJB

TITLE	SCALE	DATE	DR	DWG	REV
K0114C-10001	1.5:1	10/15/01	CJB	K200106	A

E-SWITCH®

THE INFORMATION CONTAINED IN THIS DOCUMENT IS PROPRIETARY TO E-SWITCH AND IS NOT TO BE COPIED OR TRANSFERRED