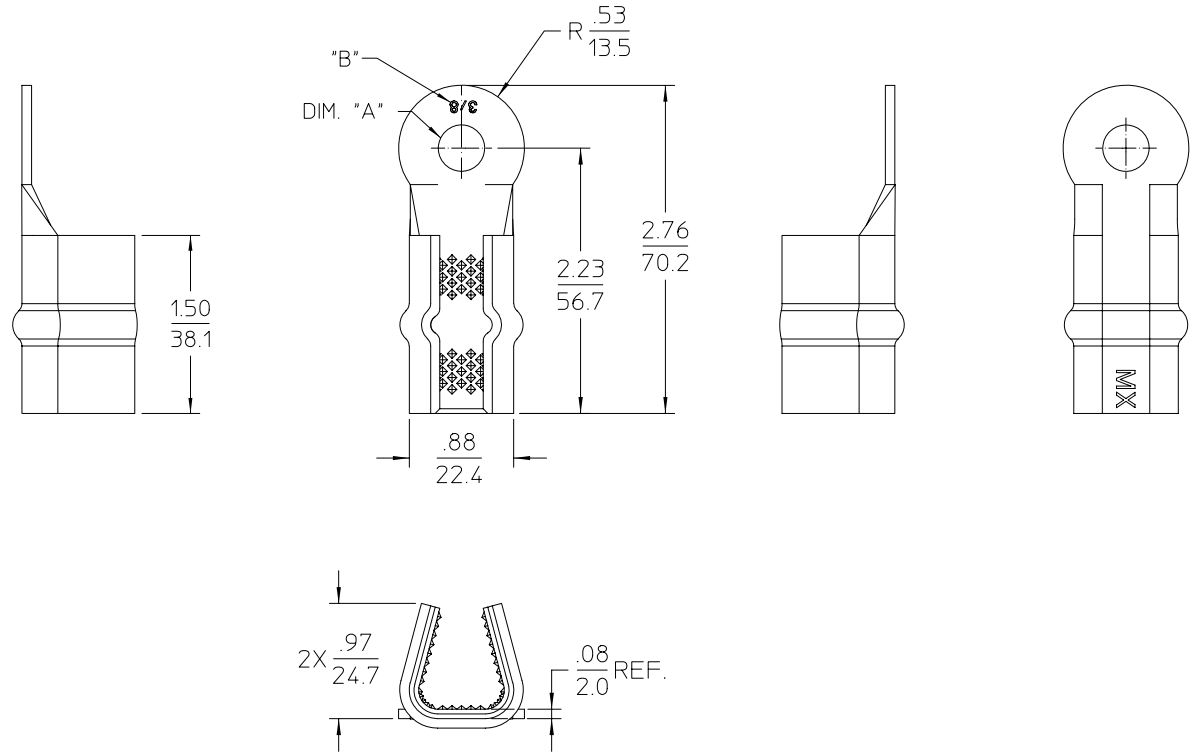
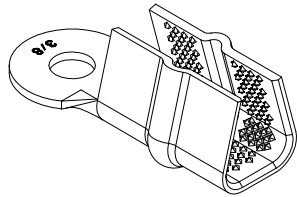


MATERIAL NUMBER	DIM. A	"B"
191951031	ø.390/9.91	3/8
191951047	ø.515/13.08	1/2



- NOTES:
1. MATERIAL: COPPER ALLOY.
  2. FINISH: ELECTRO TIN PLATE.  
THICKNESS=100MICRONS MINIMUM.
  3. PRODUCT SPECIFICATION: PS-19195-001.
  4. PART USED TO CONNECT COPPER OR ALUMINUM SINGLE MAGNET WIRE OR MULTIPLE WIRE COMBINATIONS.
  5. COMBINATIONS OF WIRES ARE EITHER MAGNET WIRE TO MAGNET WIRE OR MAGNET WIRE TO LEAD WIRE.

EC NO: ETC2003-0089 IDRMN: JPAWLICK 2002/09/27 CHKD: JPAWLICK 2002/09/27 APPR: RDEROSS 2002/09/27	QUALITY SYMBOLS	GENERAL TOLERANCES (UNLESS SPECIFIED)	SCALE 1:1	DESIGN UNITS INCH	THIRD ANGLE PROJECTION	REVISE ON CAD ONLY
	▼ = 0 ▽ = 0	4 PLACES ± --- ± --- 3 PLACES ± --- ± --- 2 PLACES ± --- ± .010 1 PLACE ± 0.25 ± --- ANGULAR ± 2 °	DIMENSION STYLE IN/MM DRAWN BY JHACKNEY DATE 99/01/29	TITLE MAGKRIMP ROUND RING 165,000-230,000 CMA		
		DRAFT WHERE APPLICABLE MUST REMAIN WITHIN DIMENSIONS	CHECKED BY RDEROSS DATE 99/01/29	MOLEX INCORPORATED		
			APPROVED BY RDEROSS DATE 99/01/29	MATERIAL NO SEE CHART DOCUMENT NO SD-19195-005 SHEET NO 1 OF 1	THIS DRAWING CONTAINS INFORMATION THAT IS PROPRIETARY TO MOLEX INCORPORATED AND SHOULD NOT BE USED WITHOUT WRITTEN PERMISSION	