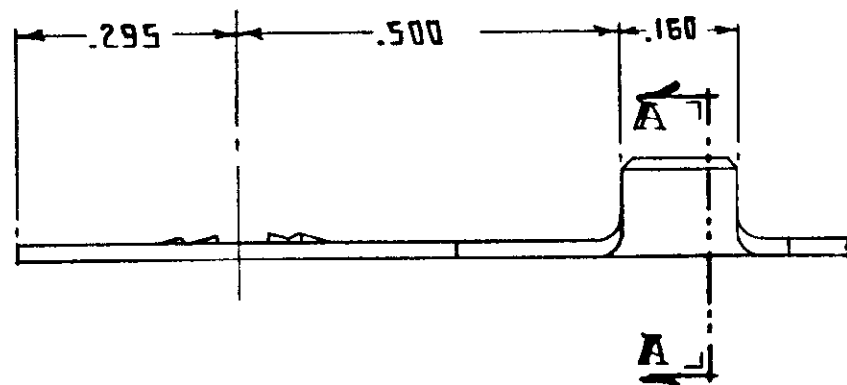
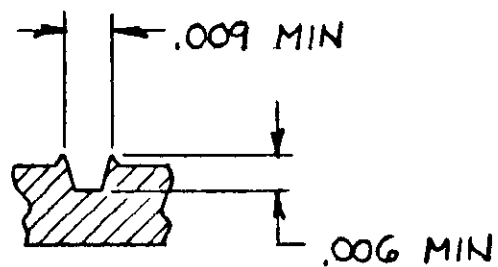


SECTION A-A



TERMINAL ACCEPTS ONE (1) # 18 MAGNET WIRE
 & ONE (1) # 20 1/2 MAGNET WIRE
 REF AMP PART # 505018-1



SECTION B-B
 TYP SERRATION

Unpublished copy not to be reproduced nor published without written permission of AMP Incorporated.

REVISION RECORD				NUMBER	DESCRIPTION	DWG SIZE	NUMBER	NAME	REMARKS	ITEM NO
C	REV PER 0710-0427-95	PMF	24/88							
B	RESTORATION	SJ	5/23/85							
B	ADD SECT B-B, M-6405	MS	DH							
A	PRVD REST NOTE, H-5548	LMS	EW							
LTR		DR	CHK	DATE						

© 1972 BY AMP INCORPORATED. ALL RIGHTS RESERVED. AMP PRODUCTS COVERED BY PATENTS AND/OR PATENTS PENDING.		CUSTOMER COPY REFERENCE ONLY	
DR <i>HILLBISH</i> 11/15/72 CHK DE <i>J.B. Hillbush</i> 11/16/72 APP <i>J.T. Pollock</i> 1/3/73	MATERIAL AND FINISH .020 THICK BRASS	AMP INCORPORATED HARRISBURG, PENNA.	
WIRE - RANGE - INSULATION 20-16 MAGNET	TOLERANCE EXCEPT AS NOTED ±.015 ±1° 0'	SCALE 4x1	LOC CM B NO 505044 REV C
NAME STUD RETAINING TERMINAL AMPLIVAR			

DIMENSIONS IN INCHES. DO NOT SCALE PRINT.

LOC 50
 AF 50