



PACKAGING SPECIFICATION

SICMA RCPT CONN W/ 1.5 10CKT

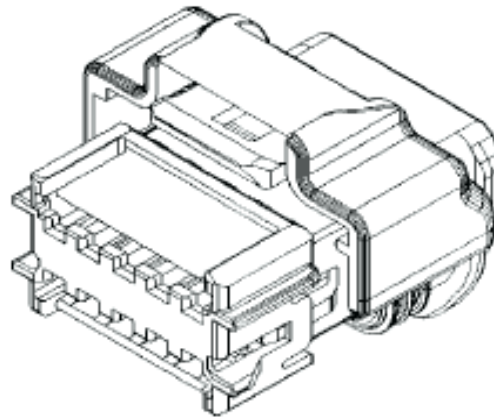
This specification describes the packaging and labeling needs for the 10 way female connectors.

1.0 PRODUCT DESCRIPTION

This specification applies for the following MOLEX material numbers:

0987881101, 0987881108.

Seal connector 10 ways



2.0 REFERENCE DOCUMENTS

Customer sales drawing → SD-98788-005

<u>REVISION:</u> A	<u>ECR/ECN INFORMATION:</u> EC No: G2015-0144 DATE: 2015/02/19	<u>TITLE:</u> PACKAGING SPECIFICATION FOR SICMA RCPT CONN W/ 1.5 10CKT	<u>SHEET No.</u> 1 of 6
<u>DOCUMENT NUMBER:</u> PK-98788-002		<u>CREATED / REVISED BY:</u> A.HERBELIN	<u>CHECKED BY:</u> A.PATEL
		<u>APPROVED BY:</u> O.PLESSIS	



PACKAGING SPECIFICATION

3.0 PROCEDURE

4.1 GENERAL REQUIREMENTS

No shock or fall will be allowed during the packing, the storage and the unpacking process.

4.2 PACKING INSTRUCTIONS

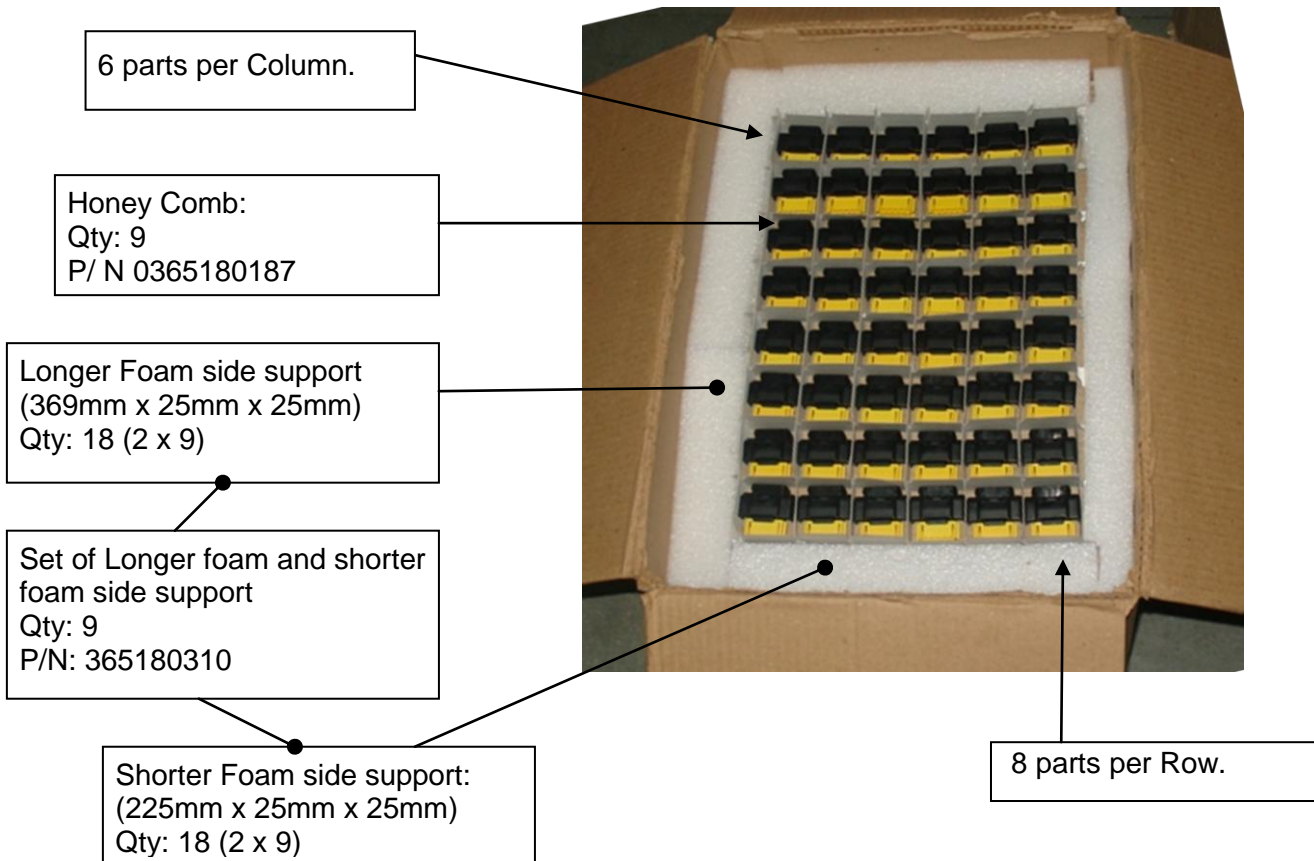
4.2.1 Packaging unit (See FIG 1 & 2)

Assembled connectors are delivered lined up in 9 layers separated from carton interleaf P/N 0982990009 , each layers are compound of a set of 4 foam side support (P/N 365180310 x1), with Material Number P/N 98788108X in Honey comb P/N 0365180187 placed in a cardboard box Material Number 0967080035.

4.2.2 Lining up layer

→ 48 Parts per layer.

FIG 1



<u>REVISION:</u> A	<u>ECR/ECN INFORMATION:</u> EC No: G2015-0144 DATE: 2015/02/19	<u>TITLE:</u> PACKAGING SPECIFICATION FOR SICMA RCPT CONN W/ 1.5 10CKT	<u>SHEET No.</u> 2 of 6
<u>DOCUMENT NUMBER:</u> PK-98788-002	<u>CREATED / REVISED BY:</u> A.HERBELIN	<u>CHECKED BY:</u> A.PATEL	<u>APPROVED BY:</u> O.PLESSIS

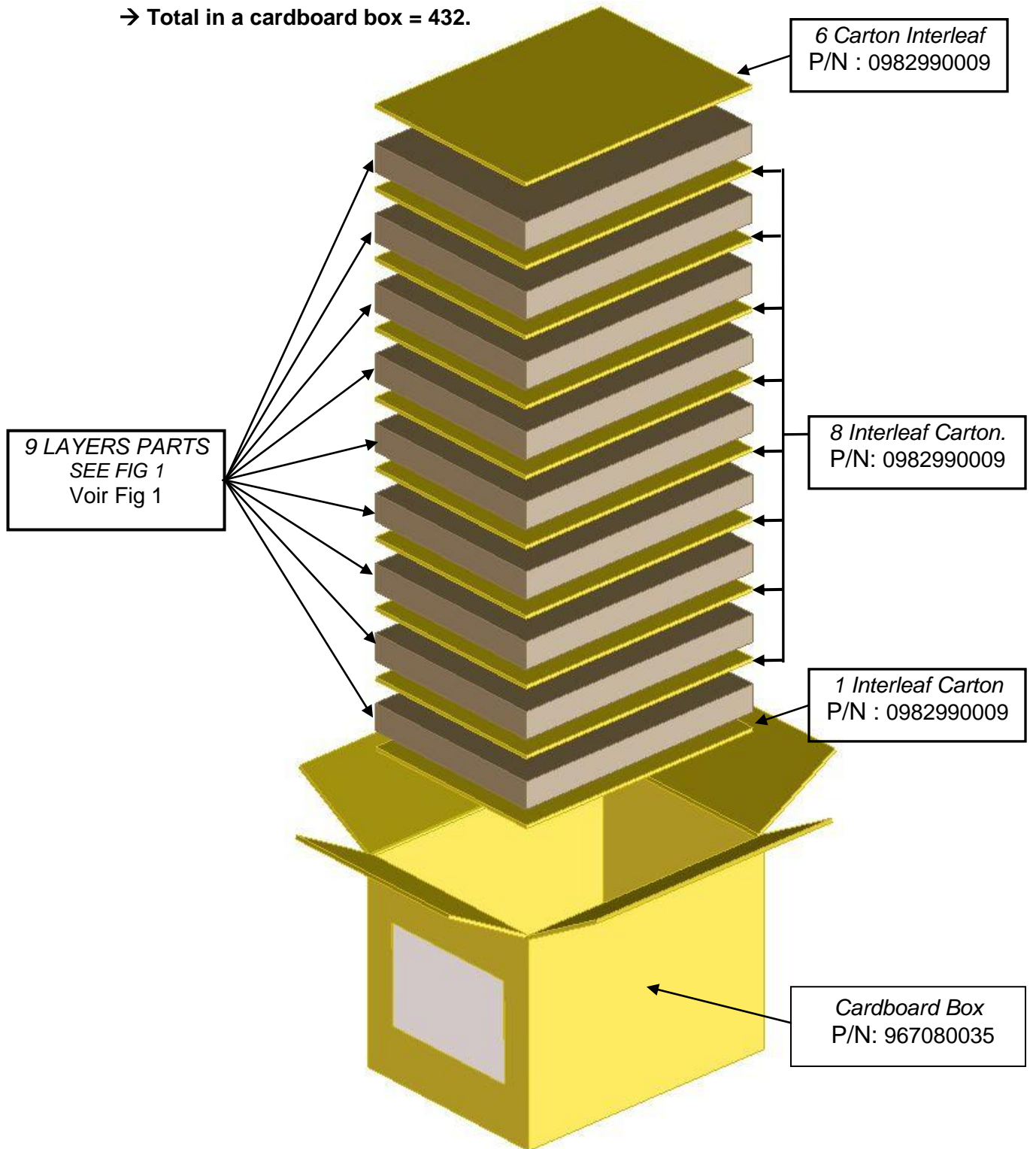


PACKAGING SPECIFICATION

4.2.3 Lining up in the cardboard box

FIG 2

→ Total in a cardboard box = 432.



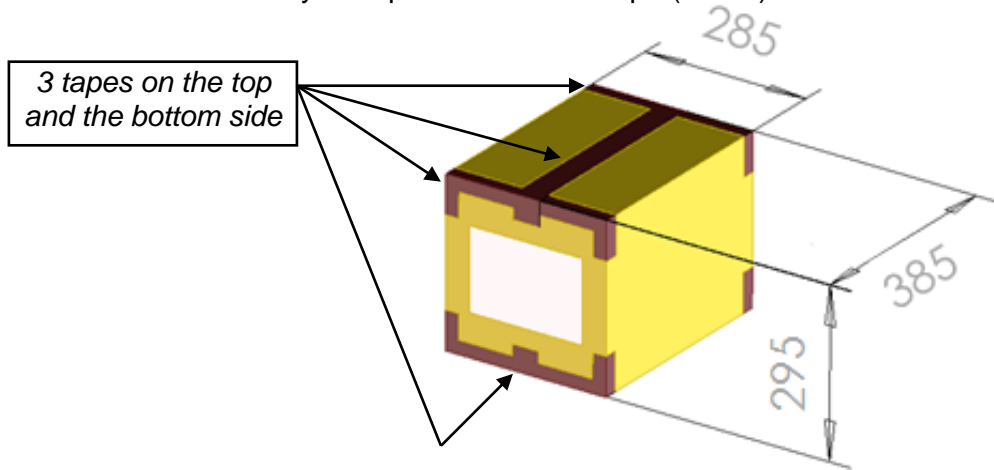
REVISION: A	ECR/ECN INFORMATION: EC No: G2015-0144 DATE: 2015/02/19	TITLE: PACKAGING SPECIFICATION FOR SICMA RCPT CONN W/ 1.5 10CKT	SHEET No. 3 of 6
DOCUMENT NUMBER: PK-98788-002	CREATED / REVISED BY: A.HERBELIN	CHECKED BY: A.PATEL	APPROVED BY: O.PLESSIS



PACKAGING SPECIFICATION

4.2.4 Closure of the cardboard box

The cardboard box is closed by transparent adhesive tape (3 inch) material No 0365180035.



4.2.5 Packaging unit identification

Each cardboard box must show a label (126X76), material No 0884261597, according to GALIA standard, and stuck, with following information(Please refer Label below)

- MOLEX material number
- Qty
- INV CTRL Date
- Country Of Origin
- Tracking number
- Product name



<u>REVISION:</u> A	<u>ECR/ECN INFORMATION:</u> EC No: G2015-0144 DATE: 2015/02/19	<u>TITLE:</u> PACKAGING SPECIFICATION FOR SICMA RCPT CONN W/ 1.5 10CKT	<u>SHEET No.</u> 4 of 6
<u>DOCUMENT NUMBER:</u> PK-98788-002	<u>CREATED / REVISED BY:</u> A.HERBELIN	<u>CHECKED BY:</u> A.PATEL	<u>APPROVED BY:</u> O.PLESSIS



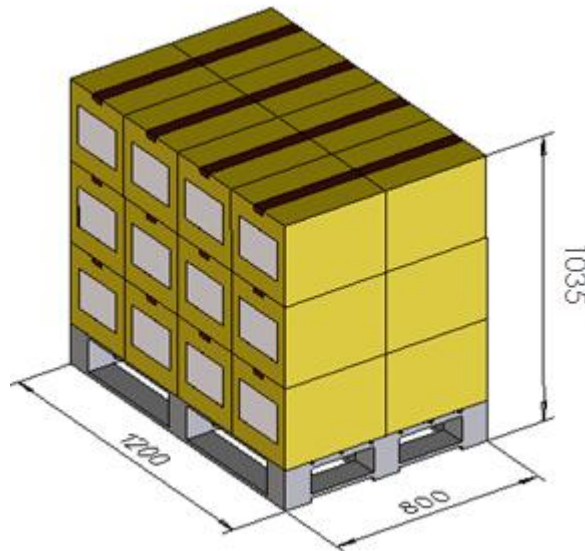
PACKAGING SPECIFICATION

4.2.6 Shipping unit

The shipping unit must respect the standard GALIA rules.

The shipping unit is made of:

- 1 pallet (800 x 1200 mm) material No 0365180038
- 3 layers maximum per pallet
- 8 cardboard boxes per layer



Cardboard boxes must be placed in such a way that the labels must be visible.
No shock or fall will be allowed during the storage until process utilization.
Only 2 pallets can be stacked.

<u>REVISION:</u> A	<u>ECR/ECN INFORMATION:</u> EC No: G2015-0144 DATE: 2015/02/19	<u>TITLE:</u> PACKAGING SPECIFICATION FOR SICMA RCPT CONN W/ 1.5 10CKT	<u>SHEET No.</u> 5 of 6
<u>DOCUMENT NUMBER:</u> PK-98788-002	<u>CREATED / REVISED BY:</u> A.HERBELIN	<u>CHECKED BY:</u> A.PATEL	<u>APPROVED BY:</u> O.PLESSIS



PACKAGING SPECIFICATION

4.2.7 Shipping unit identification

Each shipping unit (pallet) is identified with a label (126 X 76), material number 0884261597, according to GALIA standard and stuck with following information:

- Customer name
- Delivery address
- Delivery note number
- Order number
- Product name
- Quantity
- Supplier
- Label number
- Product description
- MOLEX material number

All label areas must be filled in.

4.3 UNPACKING INSTRUCTIONS

Unpack the products only just before their assembly operation.

Cardboard boxes must be opened carefully.

Do not damage the connectors when cutting adhesive tape on cardboard boxes.

<u>REVISION:</u> A	<u>ECR/ECN INFORMATION:</u> EC No: G2015-0144 DATE: 2015/02/19	<u>TITLE:</u> PACKAGING SPECIFICATION FOR SICMA RCPT CONN W/ 1.5 10CKT	<u>SHEET No.</u> 6 of 6
<u>DOCUMENT NUMBER:</u> PK-98788-002	<u>CREATED / REVISED BY:</u> A.HERBELIN	<u>CHECKED BY:</u> A.PATEL	<u>APPROVED BY:</u> O.PLESSIS